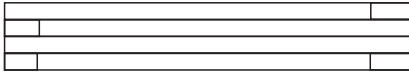




Assembly Instructions

A20-054



A 1PC

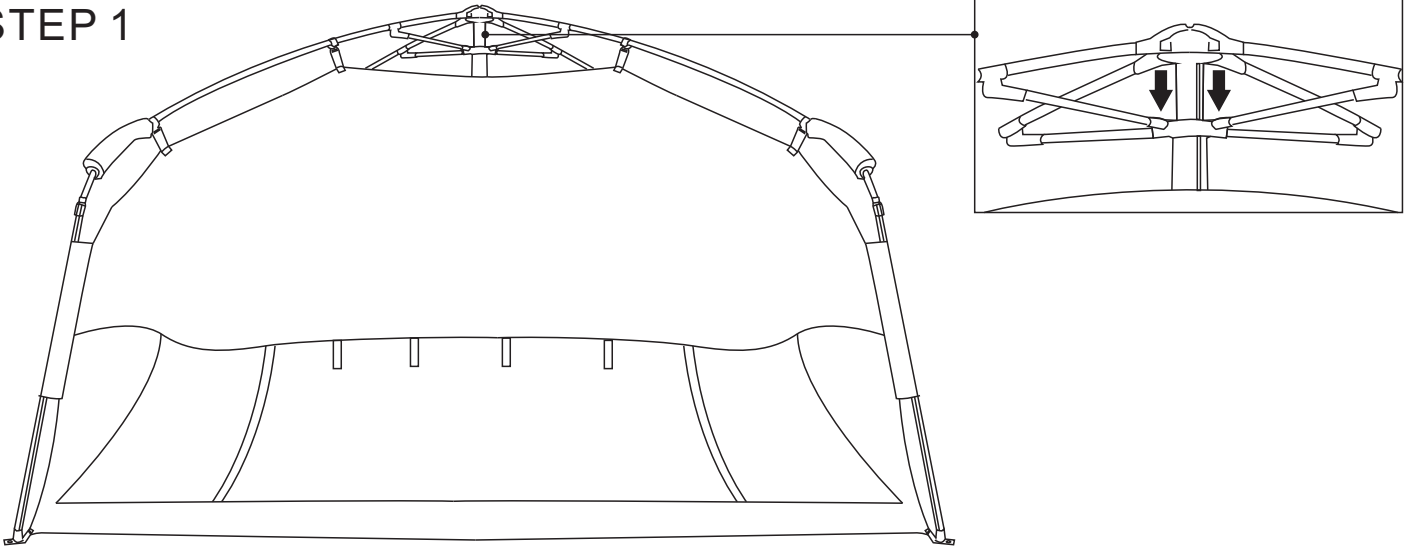


B 4PCS



C 8PCS

STEP 1



STEP 2

