


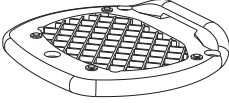
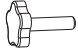
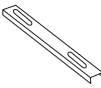


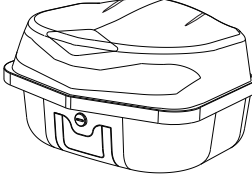


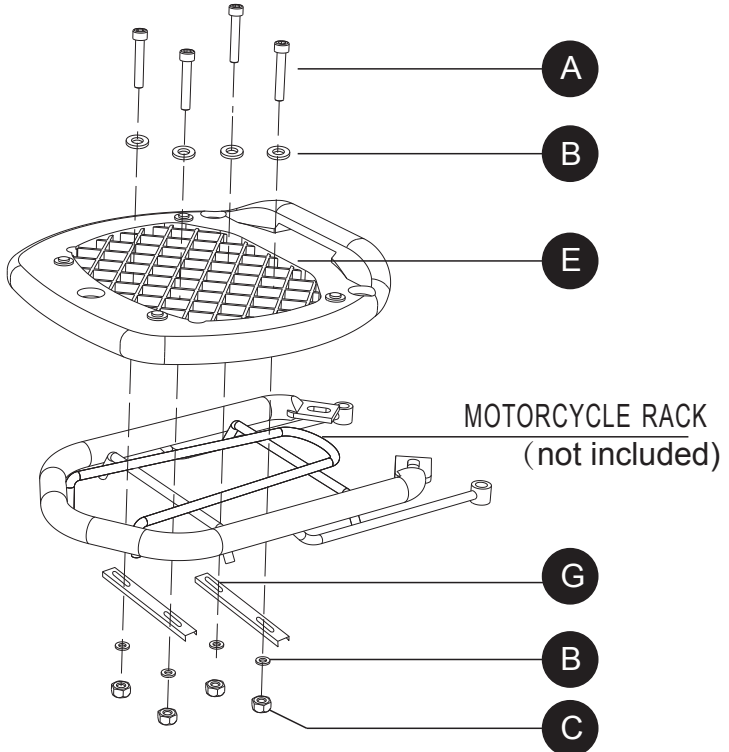
MOTORCYCLE TOP CASE INSTRUCTION MANUAL

Parts List

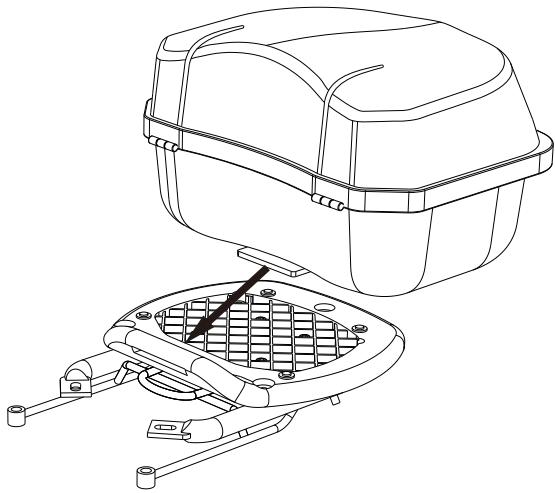
<p>A</p>  <p>x4</p>	<p>B</p>  <p>x8</p>	<p>C</p>  <p>x4</p>	<p>E</p>  <p>x1</p>	
<p>F</p>  <p>x1</p>	<p>G</p>  <p>x2</p>	<p>H</p>  <p>x1</p>	<p>J</p>  <p>x2</p>	<p>K</p>  <p>x1</p>

Assembly

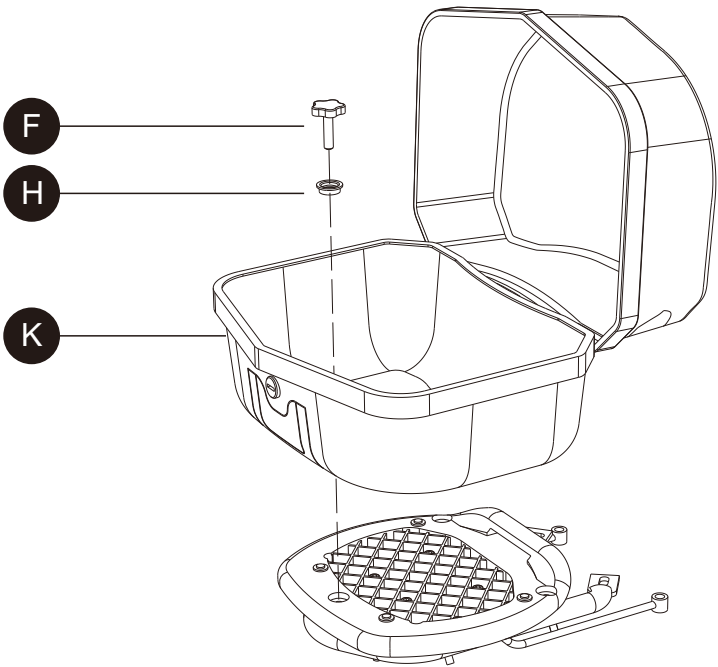
1



2



3



US



001-877-644-9366
customerservice@aosom.com

CA



001-855-537-6088
customerservice@aosom.ca

UK



0044-800-240-4004
enquiries@mhstar.co.uk

DE



0049-(0)40-88307530
service@aosom.de

FR



0033-1-84166106
contact@aosom.fr

ES



0034-931294512
atencioncliente@aosom.es

IT



0039-0249471447
clienti@aosom.it