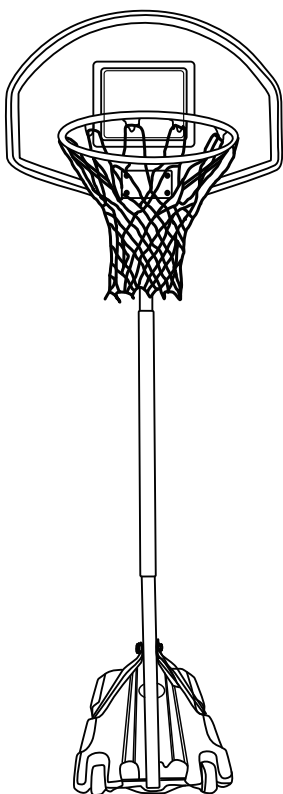




BASKETBALL STAND Assembly Instructions

A61-015 C000000

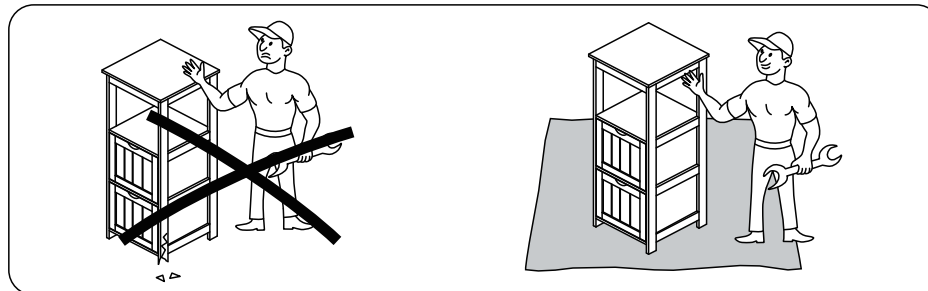
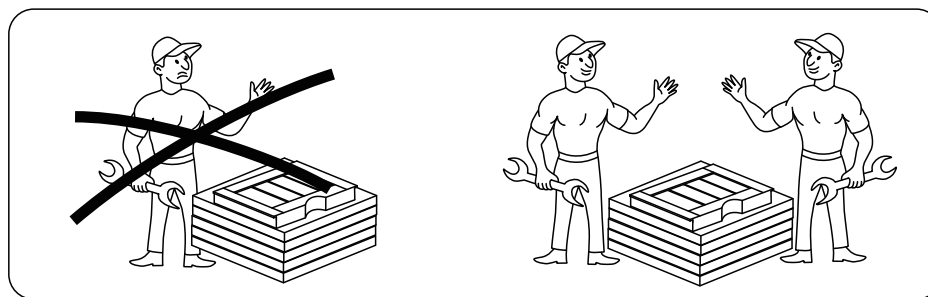


Dear Customers,

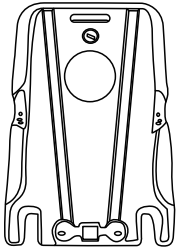
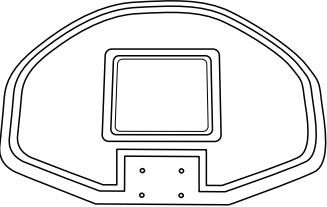

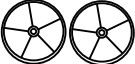

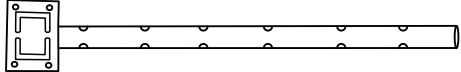

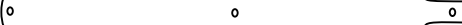
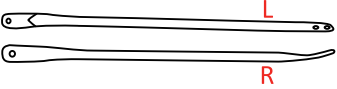




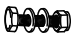




Thank you for purchasing our product. Please read this instruction manual carefully after receiving this product. It will help you assemble this product quickly, safely and correctly. You can keep this manual for future reference.

USAGE AND SAFETY INSTRUCTION

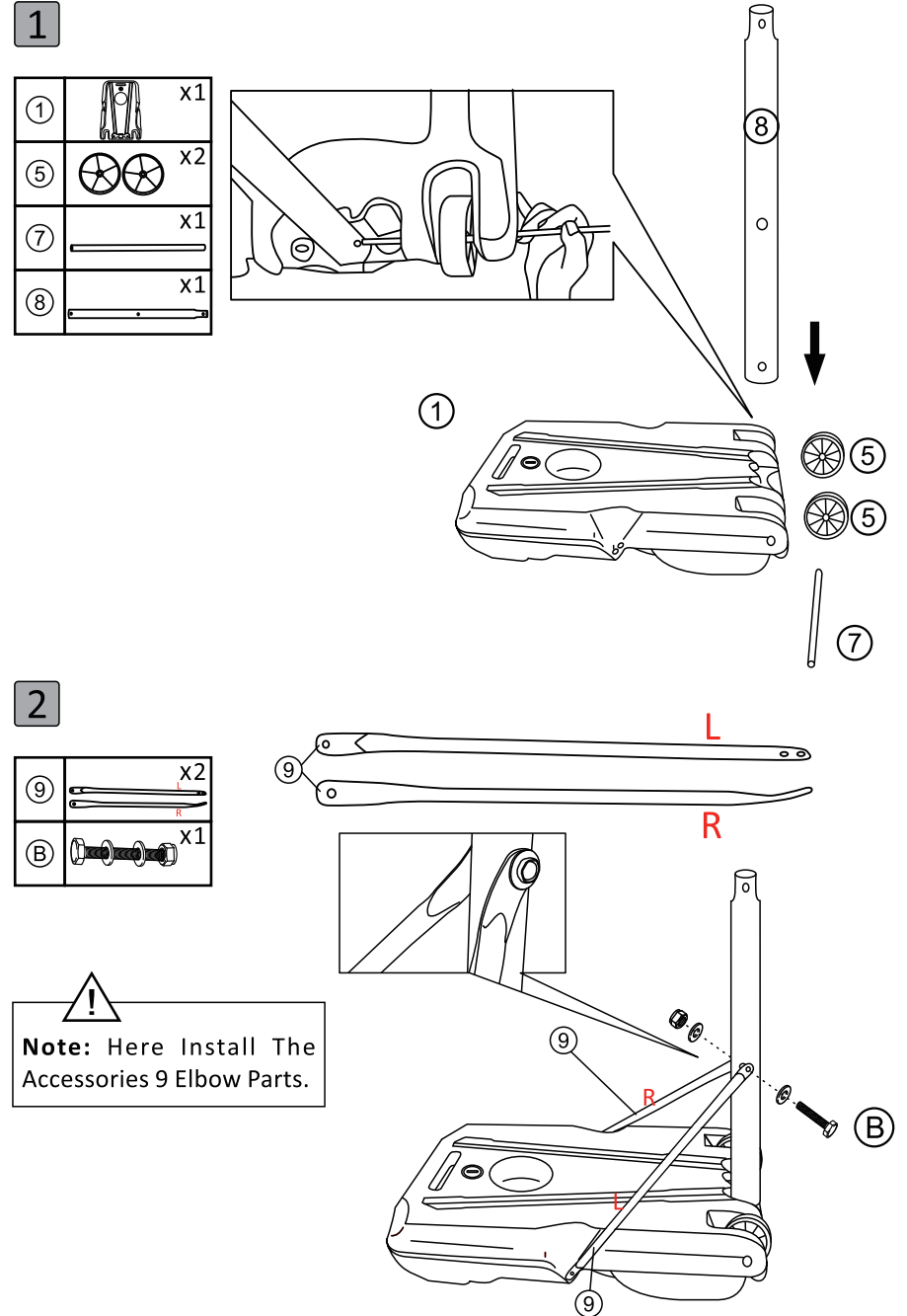
- Please read the following instructions carefully and use the product in accordance with the manual.
- Keep the instruction well. Please give the product along with the Installation and Operating Instructions, if it is for other people to use.
- The warnings, cautions, and instructions listed in this manual may not cover all possible situations that may arise when using the product.
- This product is not a climbing frame for children's play, which could result in injury. Please do not leave children unattended.
- Check the item for possible damages before use. Do not use it if it is bent, cracked, or damaged.
- Improper loading can cause a tilt of the item.
- The normal functioning of the product can be guaranteed when it is in a vertical and horizontal position. Please always position the product on a level surface.
- Do not place the product near the fire or heat sources! Caution Fire Hazard
- Be careful of your hands when setting up! We recommend wearing protective gloves for assembly.
- Do not use corrosive cleaners for cleaning!



PART LIST

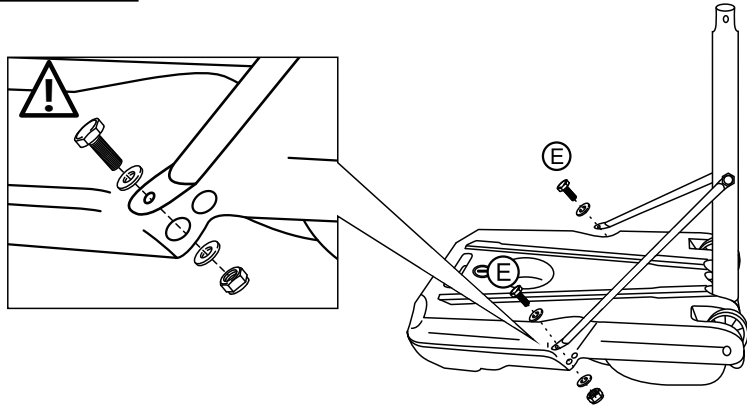
① × 1 	② × 1 	③ × 1 
⑤ × 2 	④ × 1 	⑥ × 1 
⑦ × 1 	⑧ × 1 	⑨ × 2 
⑩ × 2 	Ⓐ × 2 	Ⓑ × 1 
Ⓒ × 1 	Ⓓ × 4 	Ⓔ × 2 
Ⓕ × 1 	Ⓖ × 1 	Ⓗ × 2 
M8×55	M8×45	M6×30
M8×25		

ASSEMBLY

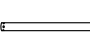




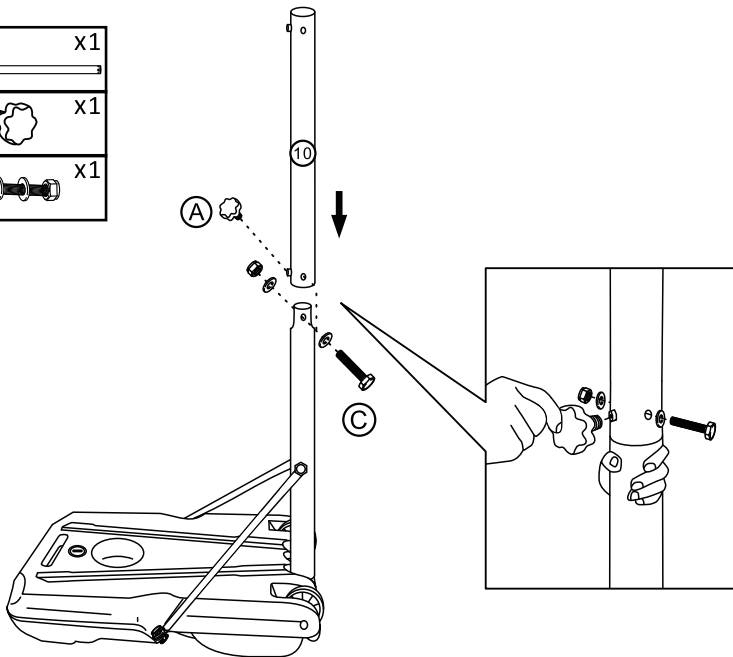
3

(E)		x2
-----	---	----





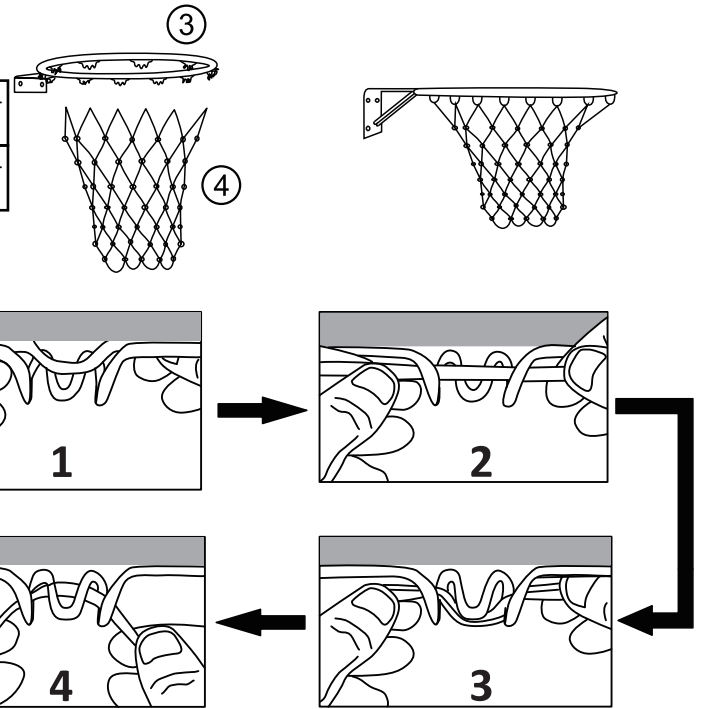
4

(10)		x1
(A)		x1
(C)		x1


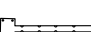



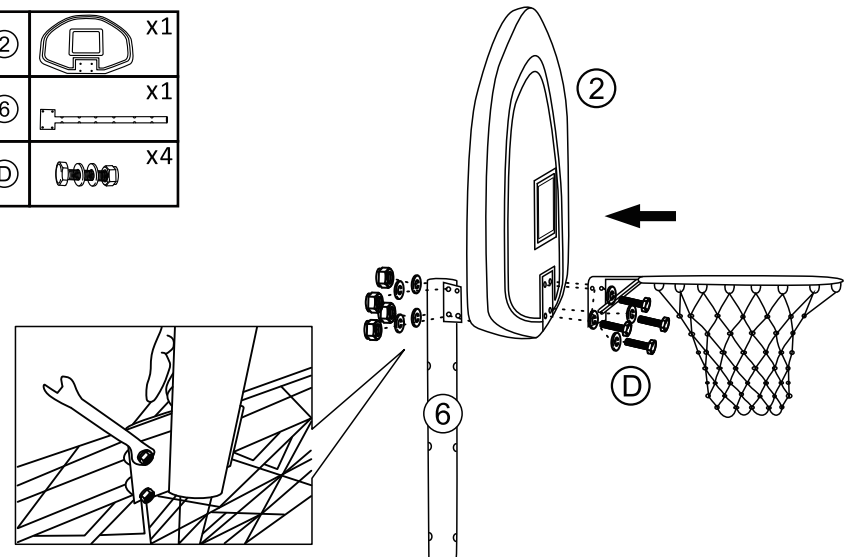
5

(3)		x1
(4)		x1





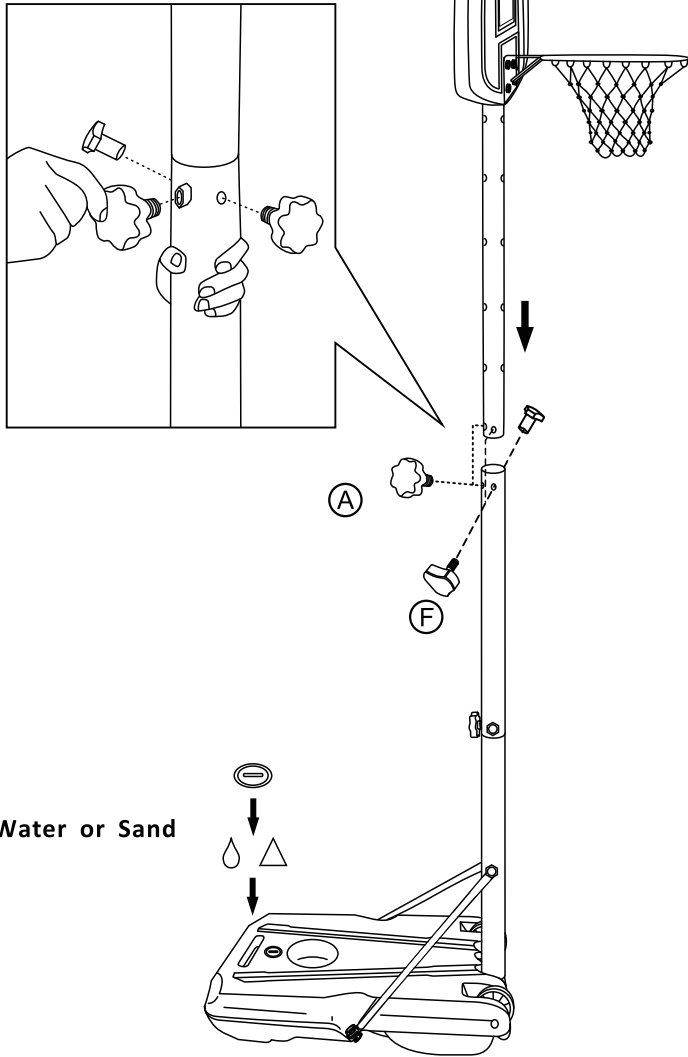
6

(2)		x1
(6)		x1
(D)		x4



7

(A)		x1
(F)		x1



NOTE:
Unscrew part A and F, adjust to the target height.
Warning :hold the upper pole ⑥ during the process.

