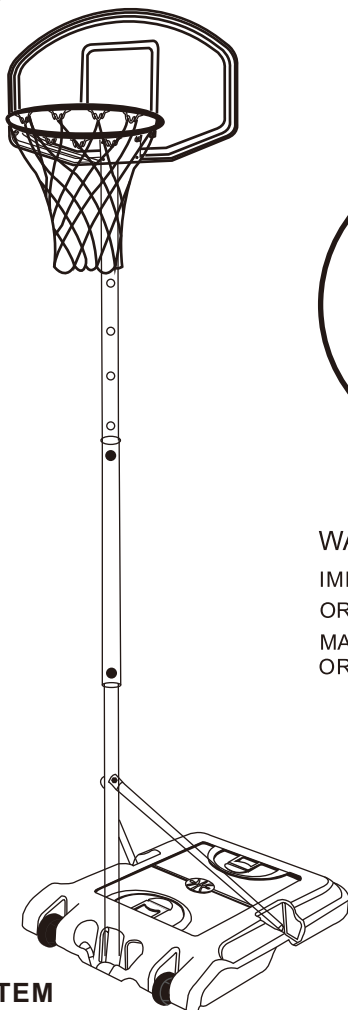


INaia003_UK

A61-020



WARNING:
IMPROPER INSTALLATION
OR SWINGING ON THE RIM
MAY CAUSE SERIOUS INJURY
OR DEATH

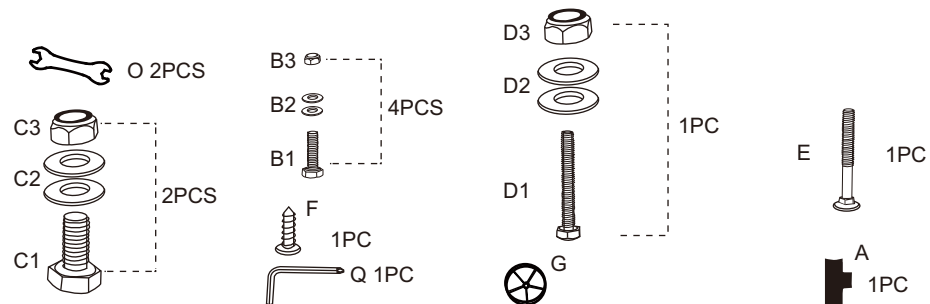
BASKETBALL SYSTEM

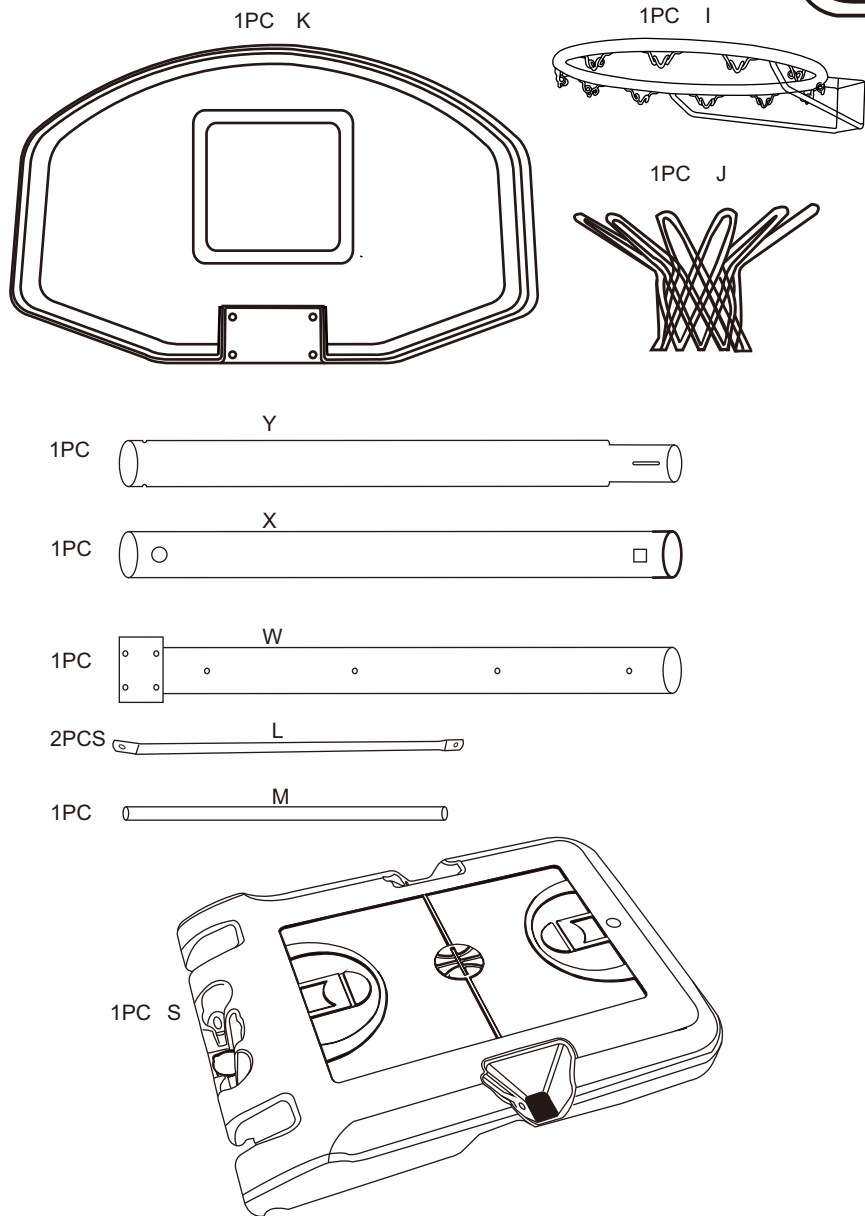


IMPORTANT, RETAIN FOR FUTURE REFERENCE: READ CAREFULLY

ASSEMBLY INSTRUCTION

Part No:	Name&Specification	Oty	Remarks
	Plastic head knob	1	Fix Top Pole(W) On Moddie Pole(X)
B1、 B2、 B3	Bolt,M6x20MM	4	Connect Rim(I),backboard(K)& Top Pole(W)
C1、 C2、 C3	Bolt,M8x17MM	2	Connect Base(S)&Brace Brace (L)
D1、 D2、 D3	Bolt,M8x65MM	1	Connect Bottom Pole(Y)& Base Brace (L)
E	Carriage Bolt,M8x55MM	1	Connect Top pole (W) & Middle Pole (X)
F	Bolt	1	
G	Wheel	2	
H	Water Cap	1	
I	Rim	1	
J	Net	1	
K	Backboard	1	
L	Brace Brace	2	
M	Wheel Shaft	1	
N	Pole Cap	1	
O	Wrench	2	
Q	Cross Wrench	1	
S	Base	1	
W	Top Pole	1	
X	Middle Pole	1	
Y	Bottom Pole	1	

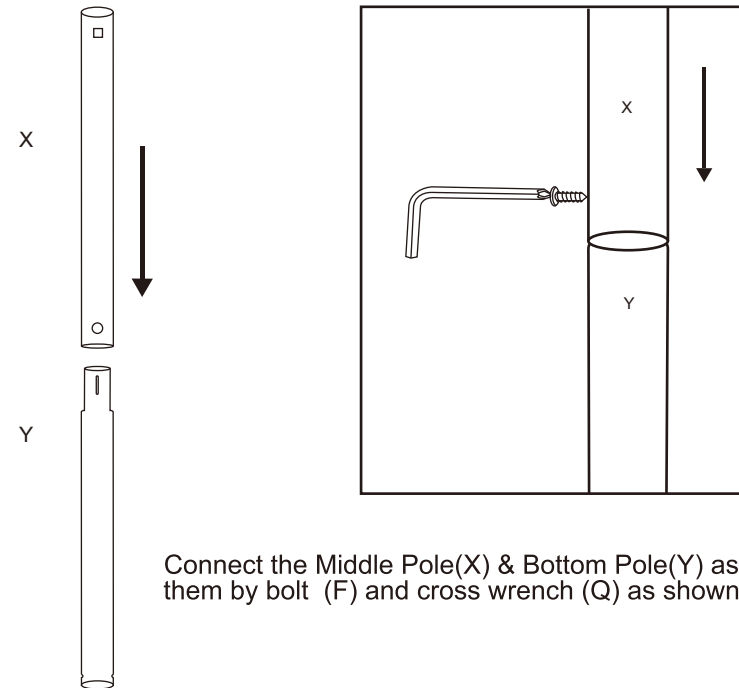




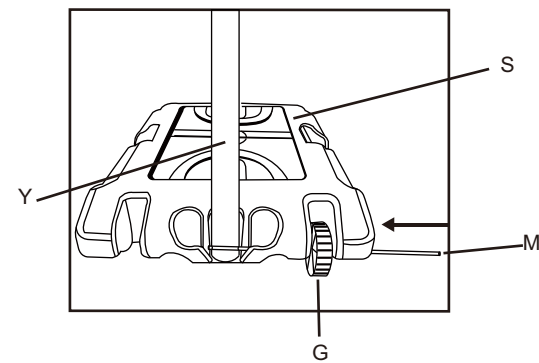
Notice to assemblers:

All the basketball systems, including those used for displays must be assembled and ballasted according to instructions. Failure to follow instructions could result in serious injury. Please read all warning and cautions before assembly. It is recommended to supervise children as they play with this product. This product is to be assembled by 2 adults only!

We appreciate your purchasing one of our many fine products. We are assured that you will be very satisfied with your selection.

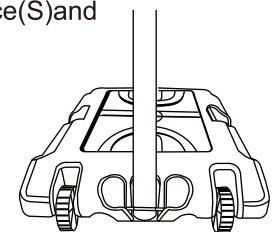


Connect the Middle Pole(X) & Bottom Pole(Y) as shown. Fix them by bolt (F) and cross wrench (Q) as shown.

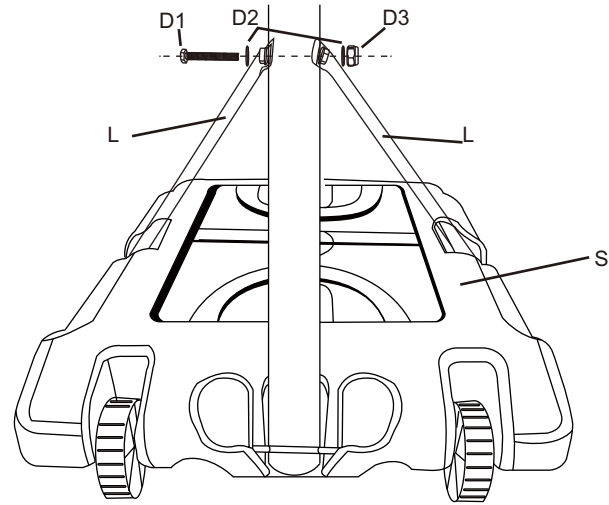


Insert the Wheel Shaft(M) into Wheel(G), Base(S) and end of Bottom Pole(Y) as shown.

As Shown

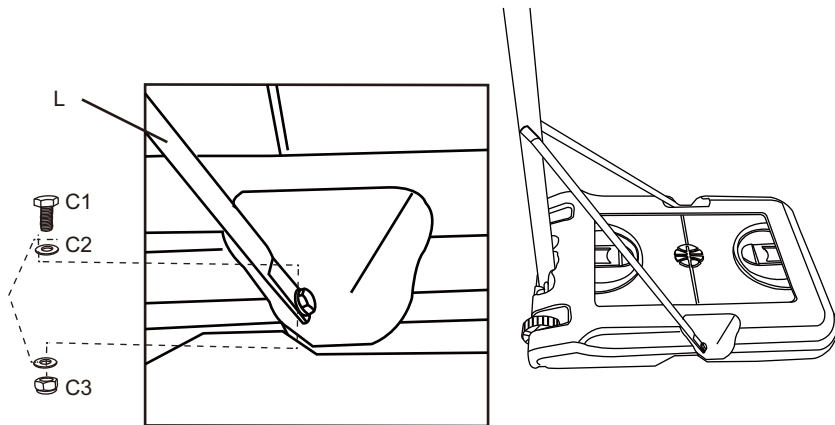


03



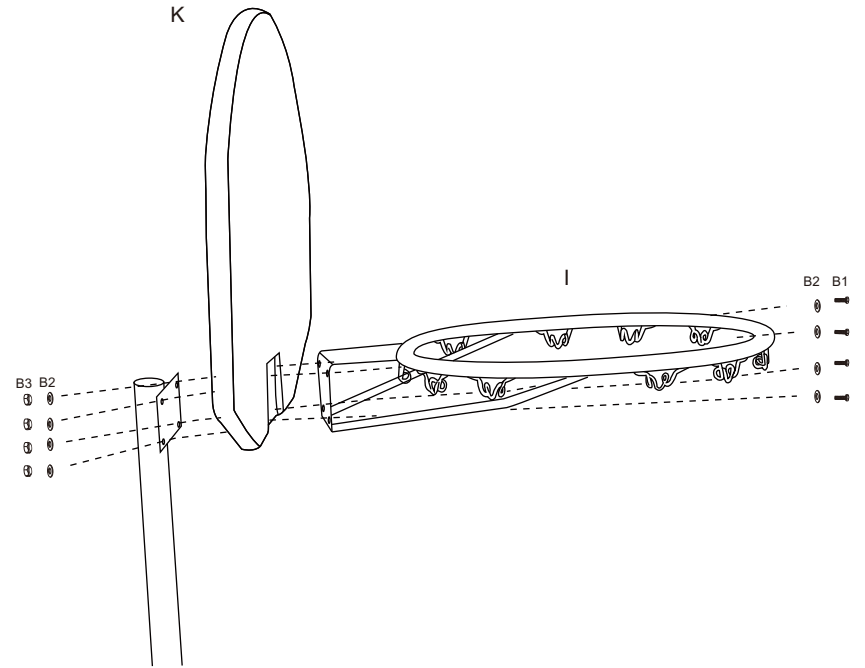
Fix one end of Pole Braces (L) on Bottom Pole (Y) by Bolt Set (D1), (D2) & (D3) as shown.

04

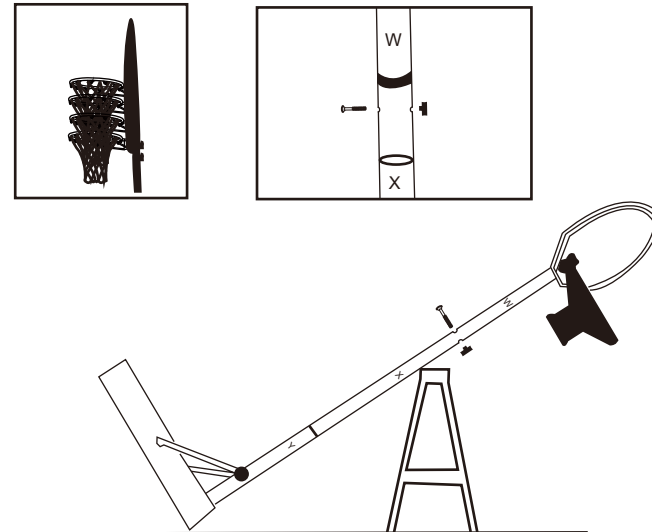


Fix the other end of Pole Brace (L) on two sides of Base (S) by Bolt Set (C1), (C2) & (C3) as shown.

05

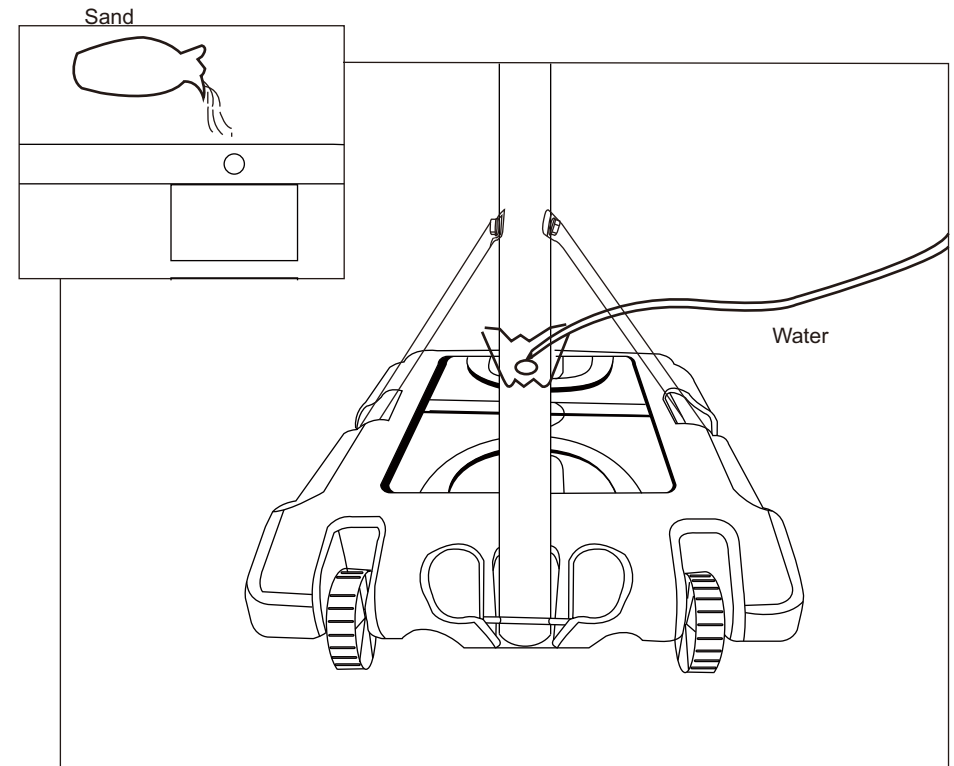
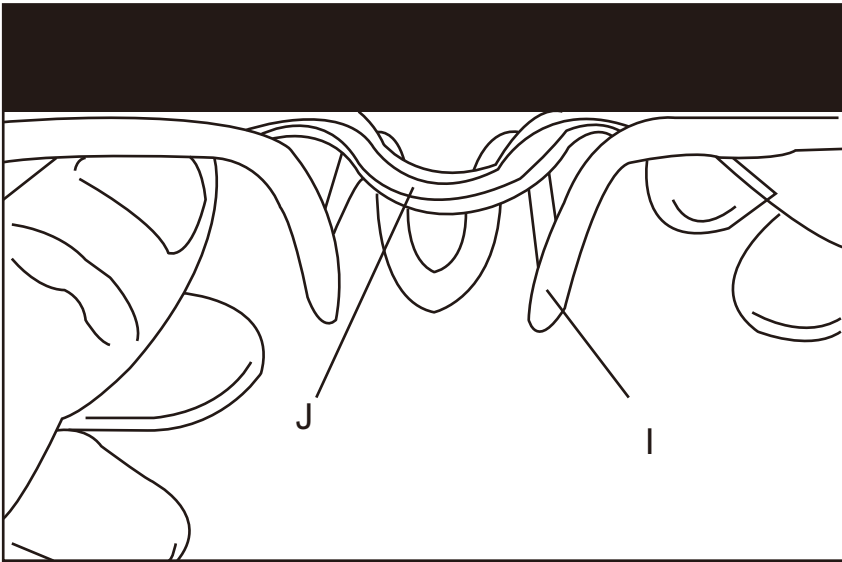


06



Insert the top Pole (W) into Middle Pole (X), adjust it to required height. Then fix them by Plastic Head Knob (A) and Bolt set (E) as shown. Adjust the height by Change the Bolt Set (E) in different holes on Top Pole (W).

Install Net (J) on Rim (I) as shown



Filling the Base (S) with water or sand to keep steady.