



**WARNING:
IMPROPER INSTALLATION OR
SWINGING ON THE RING MAY
CAUSE SERIOUS INJURY OR
DEATH**

Notice to assemblers:

All the basketball systems, including those used for display purposes must be assembled and filled with weight according to instructions. Failure to follow instructions could result in serious injury. Please read all warnings and cautions before assembly. It is recommended to supervise children as they play with this product. This product is to be assembled by 2 adults only!

We appreciate your purchase of one of our many fine products. We are assured that you will be very satisfied with your selection.

READ AND SAVE THIS INSTRUCTION FOR FUTURE USE

ASSEMBLY & INSTRUCTION MANUAL

WARNING

Moving the system

- The system should be moved by at least 2 adults capable of handling its weight.
- Children should not be allowed to move the system
- Stand in front of the system and pull the pole forward until the system is balanced on its wheels. Move the system to the desired location and carefully set the base down

WARNING!!

FAILURE TO COMPLY WITH THESE WARNINGS COULD RESULT IN INJURY. FAILURE TO COMPLY COULD ALSO RESULT IN PROPERTY DAMAGE

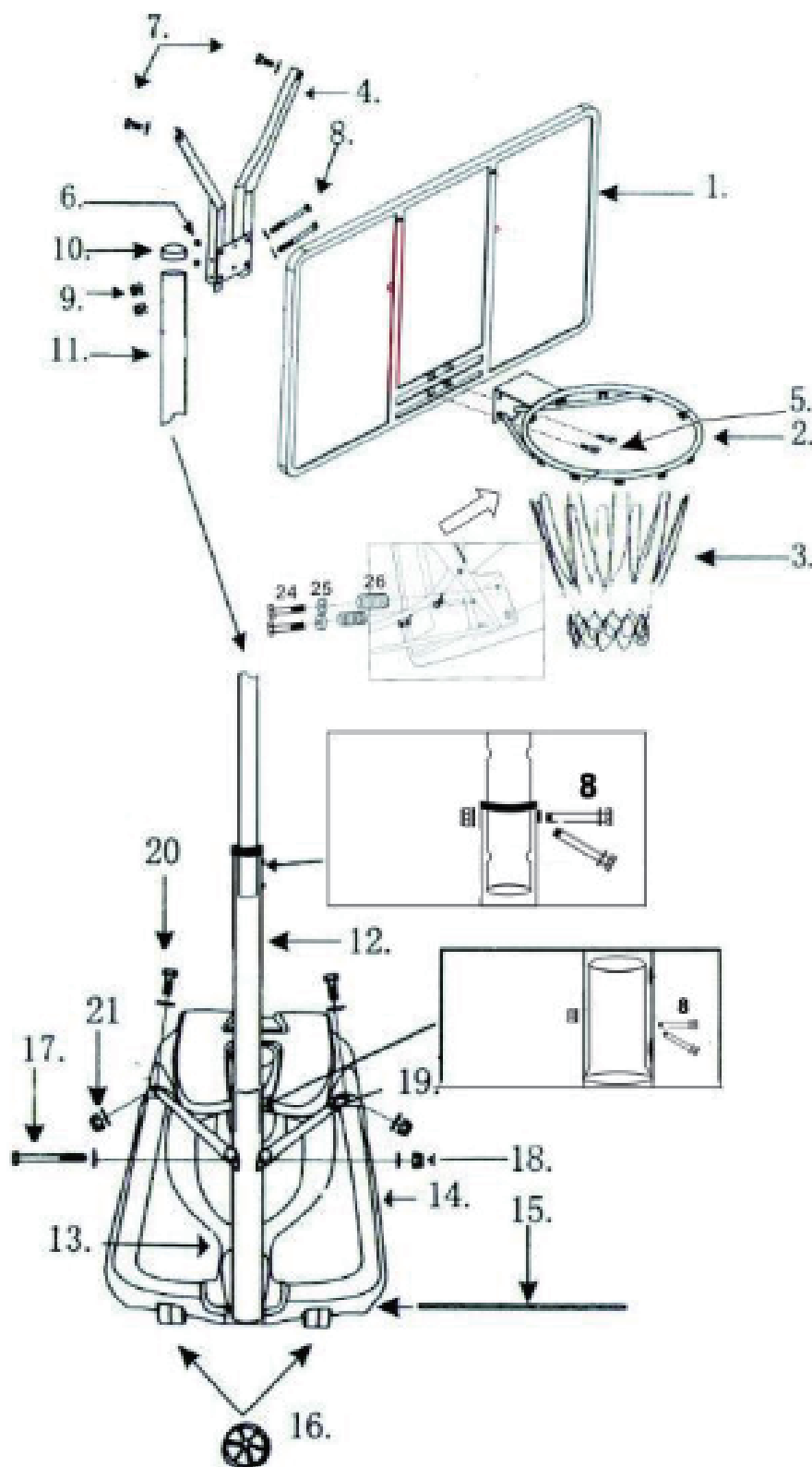
1. Never hang from the rim or climb on the pole as injury or property damage could occur.
For these reasons do not perform dunking activities on this system as it is not designed for such use. Do not allow children to climb on the basketball system.
2. Never leave the unit assembled without weight in the tank.
3. Check the base frequently for leaks or loose cap. Slow leakage could cause the system to tip over unexpectedly and damage the floor if used inside.
4. Seat the pole sections properly. Not doing so might allow the pole sections to separate during play or during transportation of this system.
5. Further Check before each use if all fittings and hardware are tight.
6. Climate, corrosion or misuse could result in system failure.
7. This system is not intended for children and under.
8. All payers must use sufficient guards when playing

POLE CARE AND SYSTEM MAINTENANCE:

The product life of your basketball system depends on many variables. The climate, exposure to corrosives such as salt, pesticides or herbicides and excessive use or misuse can all contribute to pole failure, which may cause property damage or personal injury.

Check your basketball system frequently for loose hardware, excessive wear and signs of corrosion. For safety reasons and to prolong the life of your basketball system, you must take the following preventive measures:

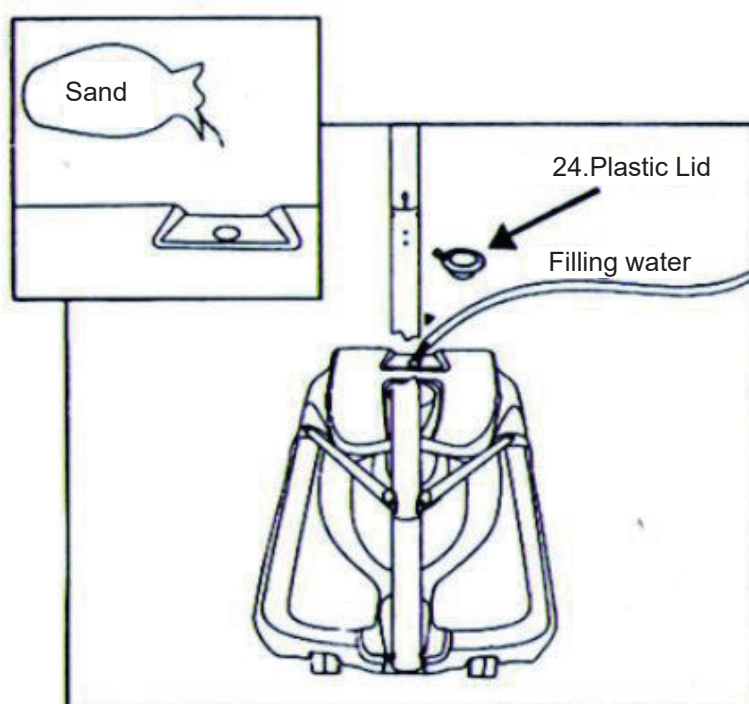
- Check all nuts and bolts. If any are loose, tighten them.
- Check all pole sections for visible rust, chipped or cracked paint. If either are present, do the following:
 1. Use an emery cloth to completely remove any rust or chipped paint.
 2. Clean the area with a damp cloth and allow it to dry.
 3. Apply two coats of a rust preventative, high gloss enamel to the area. Allow the paint to dry between two coats.



- 1.Boardx1
- 2.Ringx1
- 3.Netx1
- 4.Board Bracket x1
- 5.Boltx2(M8×35mm)
- 6.Nutx4
- 7.Boltx2(M8x16mm)
- 8.Boltx6(M10x85mm)
- 9.Nutx2
- 10.Capx1
- 11.TopPolex1
- 12.Middle Polex1
- 13.Bottom Polex1
- 14.Basex1
- 15.Wheel Shaftx1
- 16.Wheelx2
- 17.Boltx1 (M8x90mm)
- 18.Nutx1
- 19.Pole Bracex2
- 20.Boltx2(M8x20mm)
- 21.Nutx2
- 24.Boltx2(M8x110mm)
- 25.Spring washerx2
- 26.Spring x2

Assembly Steps

1. Open the carton, find out all the parts listed on page 3, two adults are required for assembly.
2. Fix ring(2) and board bracket(4) on board(1) by bolts(5)(24) and nuts(6). After that, use bolts(7) to fix the top of board bracket(4) on the back of board(1) tightly. Insert top pole(11) into board bracket(4), fix them by bolts(8) and nuts(9).
3. Insert top pole(11) on the top of middle pole(12), then join the middle pole(12) and bottom pole(13) as show, fix these poles together by 4.p.c.bolts(8).
4. Place the base(14) on a chosen playing ground, the surface beneath the base should be horizontal. Insert the wheel shaft(15) into wheel (16), base(14) and end of bottom pole (13) orderly.
5. Fix one end of the 2pcs pole braces(19) on bottom pole(13) by bolt(17) and nut(18). Then fix another end of the 2pcs pole braces(19) on base(14) by bolt(20) and nut(21).
6. Tighten



WHEN USING WATER:

- Place the base on a smooth surface only! Without gravel or other sharp objects which could puncture the base and cause leakage.
- Check the base frequently for cracks and punctures.
- Always check the water level before the game. If a leak is found or the water level is low, lay the system onto the ground so that it can't tip over.
- Add a tablespoon of chlorine bleach to the water each time the base is filled with water. This prevents algae from forming inside the base.

US



001-877-644-9366
customerservice@aosom.com

CA



001-855-537-6088
customerservice@aosom.ca

UK



0044-800-240-4004
enquiries@mhstar.co.uk

DE



0049-(0)40-88307530
service@aosom.de

FR



0033-1-84166106
contact@aosom.fr

ES



0034-931294512
atencioncliente@aosom.es

IT



0039-0249471447
clienti@aosom.it