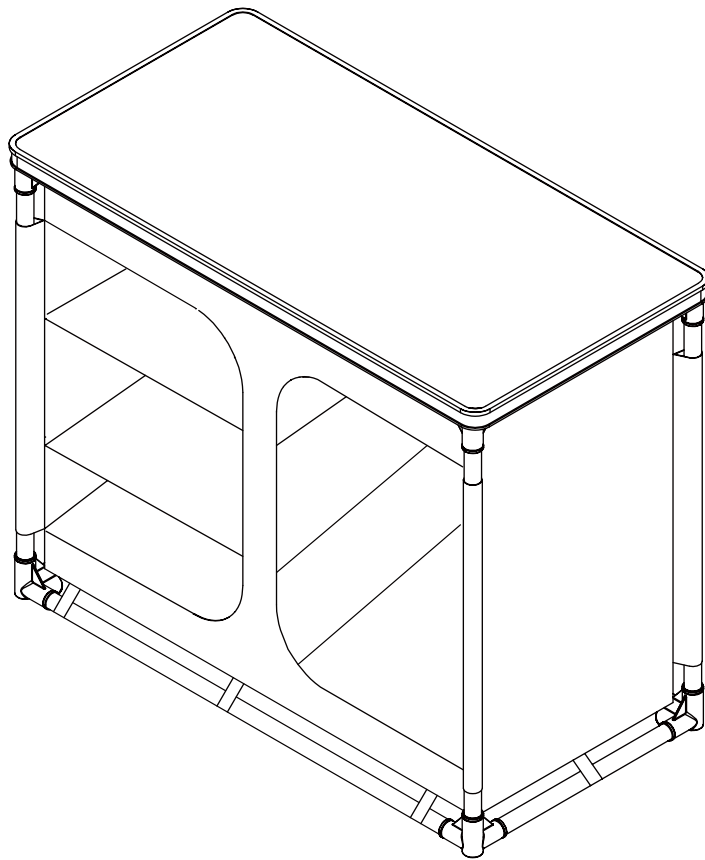




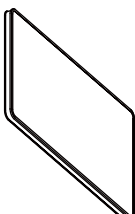
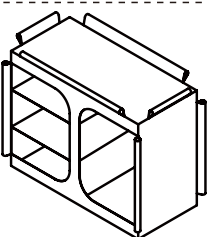
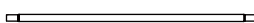

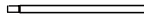
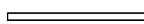

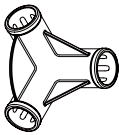
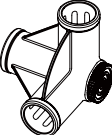
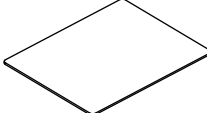
INak004\_GL

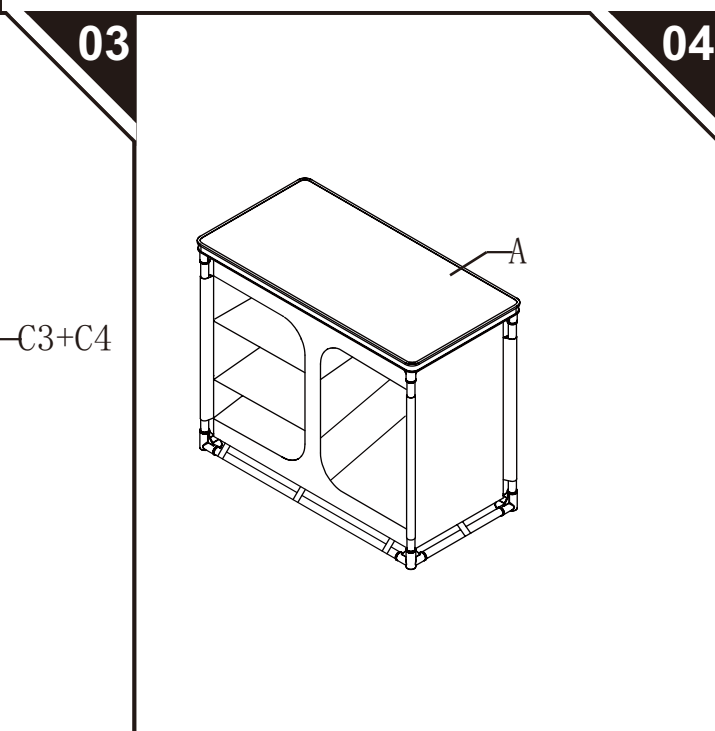
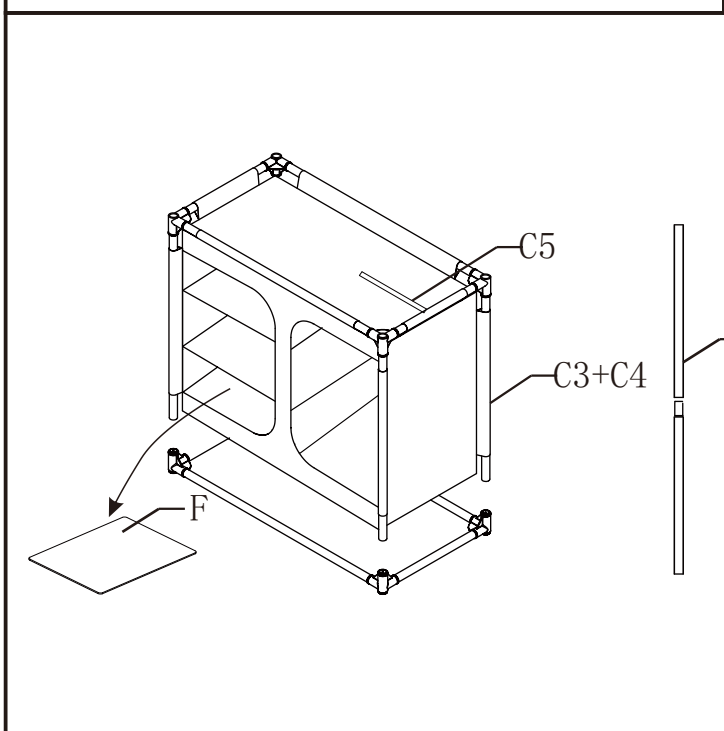
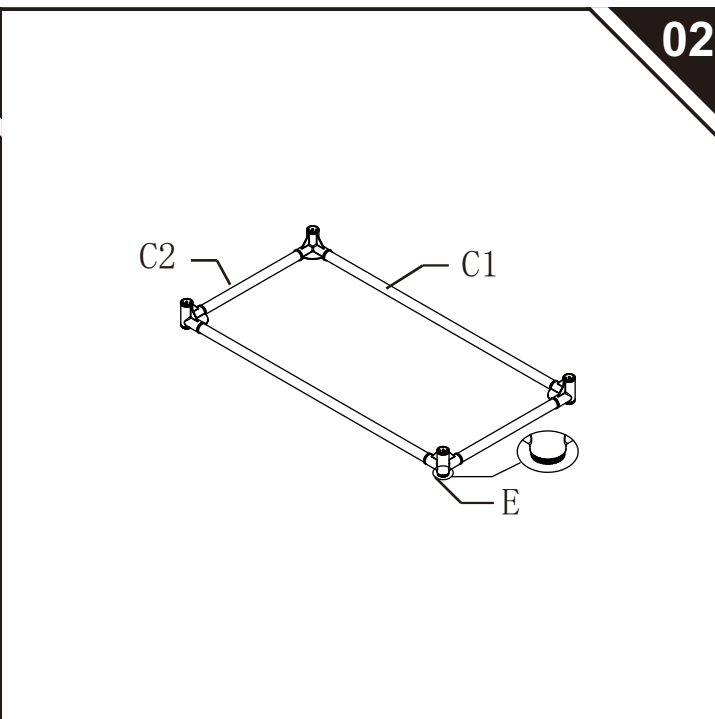
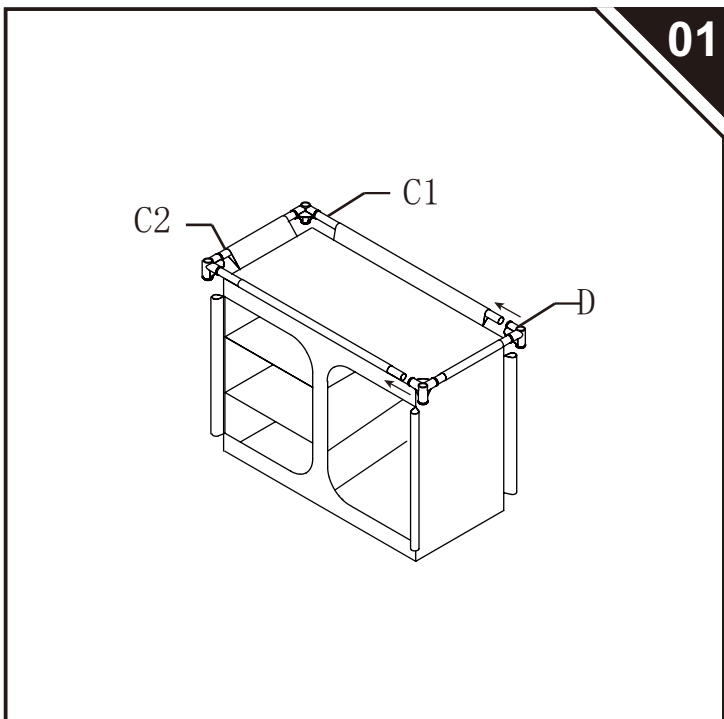
**A20-159**



READ AND SAVE THIS INSTRUCTION FOR FUTURE USE

**ASSEMBLY INSTRUCTION**

 <p><b>A x 1</b></p>	 <p><b>B x 1</b></p>	<p><b>C x 17</b></p> <p>C1  4pcs</p> <p>C2  4pcs</p> <p>C3  4pcs</p> <p>C4  4pcs</p> <p>C5  1pcs</p>
 <p><b>D x 4</b></p>	 <p><b>E x 4</b></p>	 <p><b>F x 3</b></p>



US



001-877-644-9366  
customerservice@aosom.com

CA



001-855-537-6088  
customerservice@aosom.ca

UK



0044-800-240-4004  
enquiries@mhstar.co.uk

DE



0049-(0)40-88307530  
service@aosom.de

FR



0033-1-84166106  
contact@aosom.fr

ES



0034-931294512  
atencioncliente@aosom.es

IT



0039-0249471447  
clienti@aosom.it