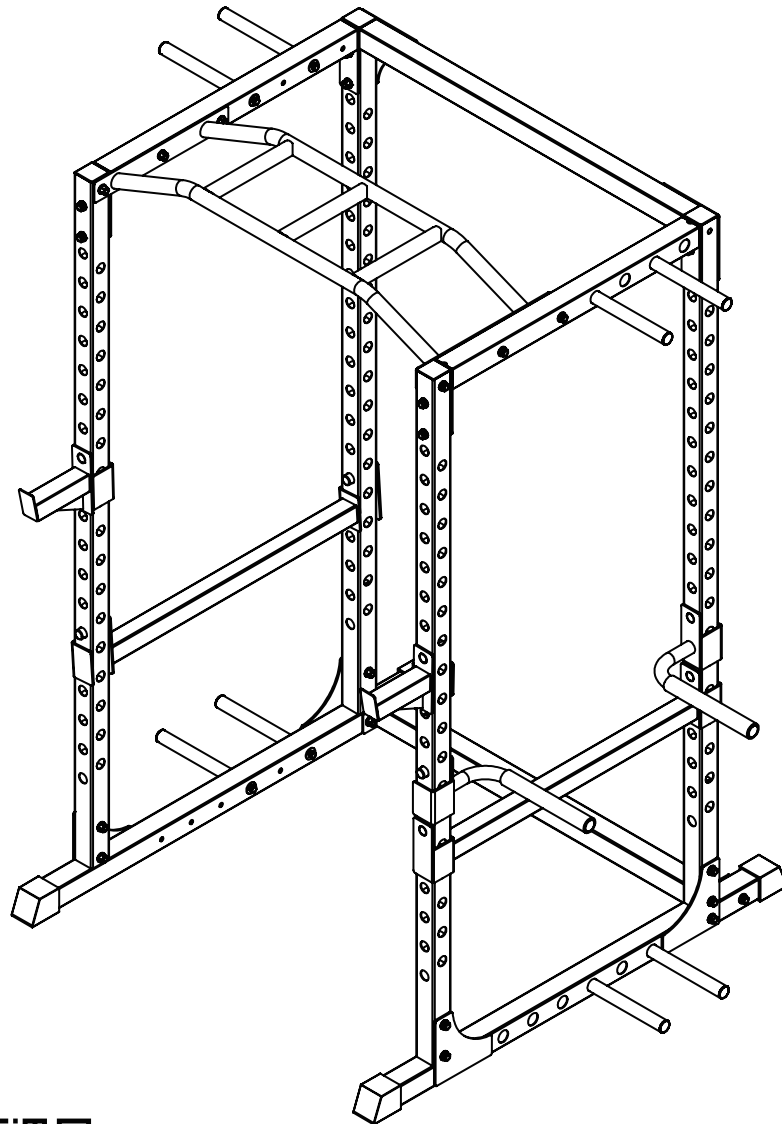


Soozier

INald003V01_US_CA

A91-147

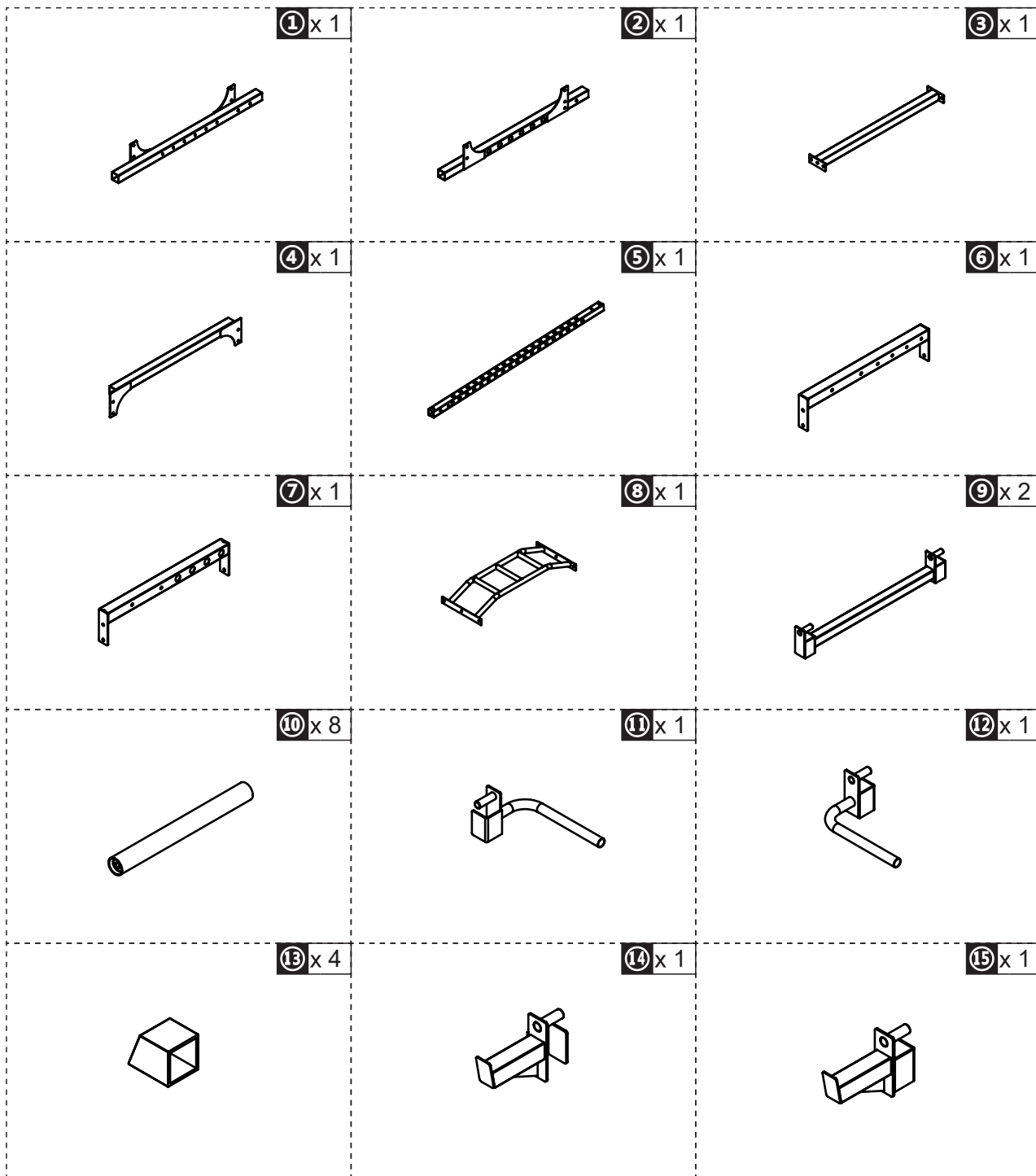


Assembly video please scan the QR code .

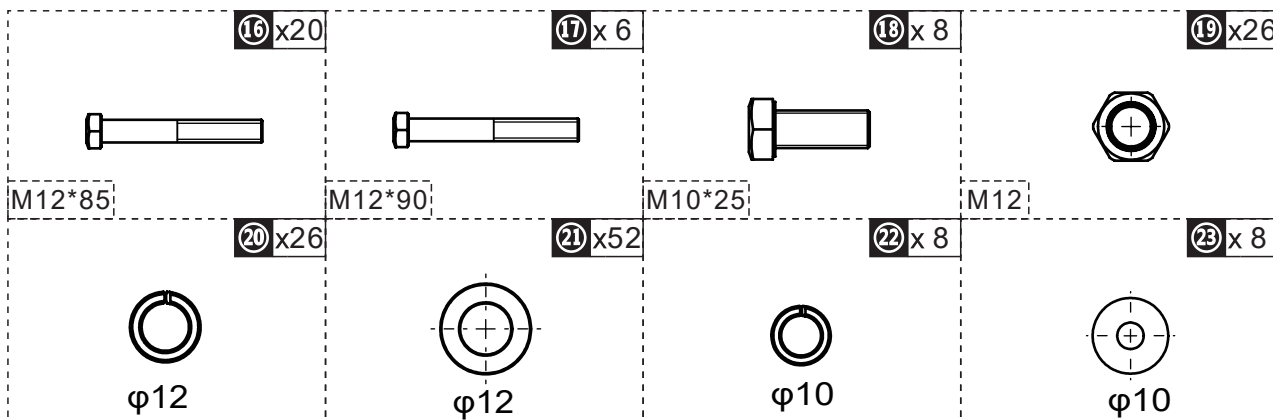
READ AND SAVE THIS INSTRUCTIONS FOR FUTURE USE

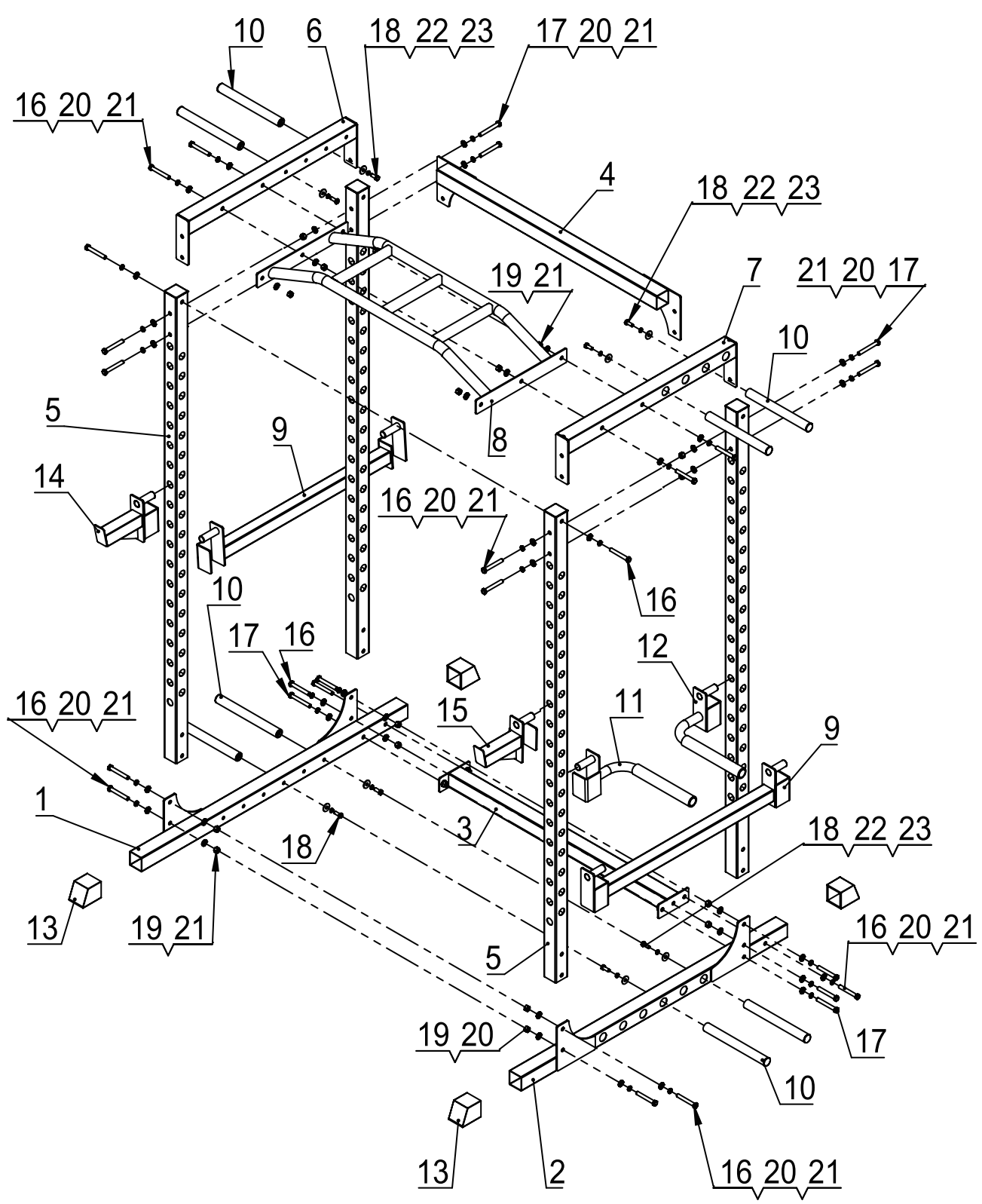
ASSEMBLY & INSTRUCTION MANUAL

PARTS



HARDWARE





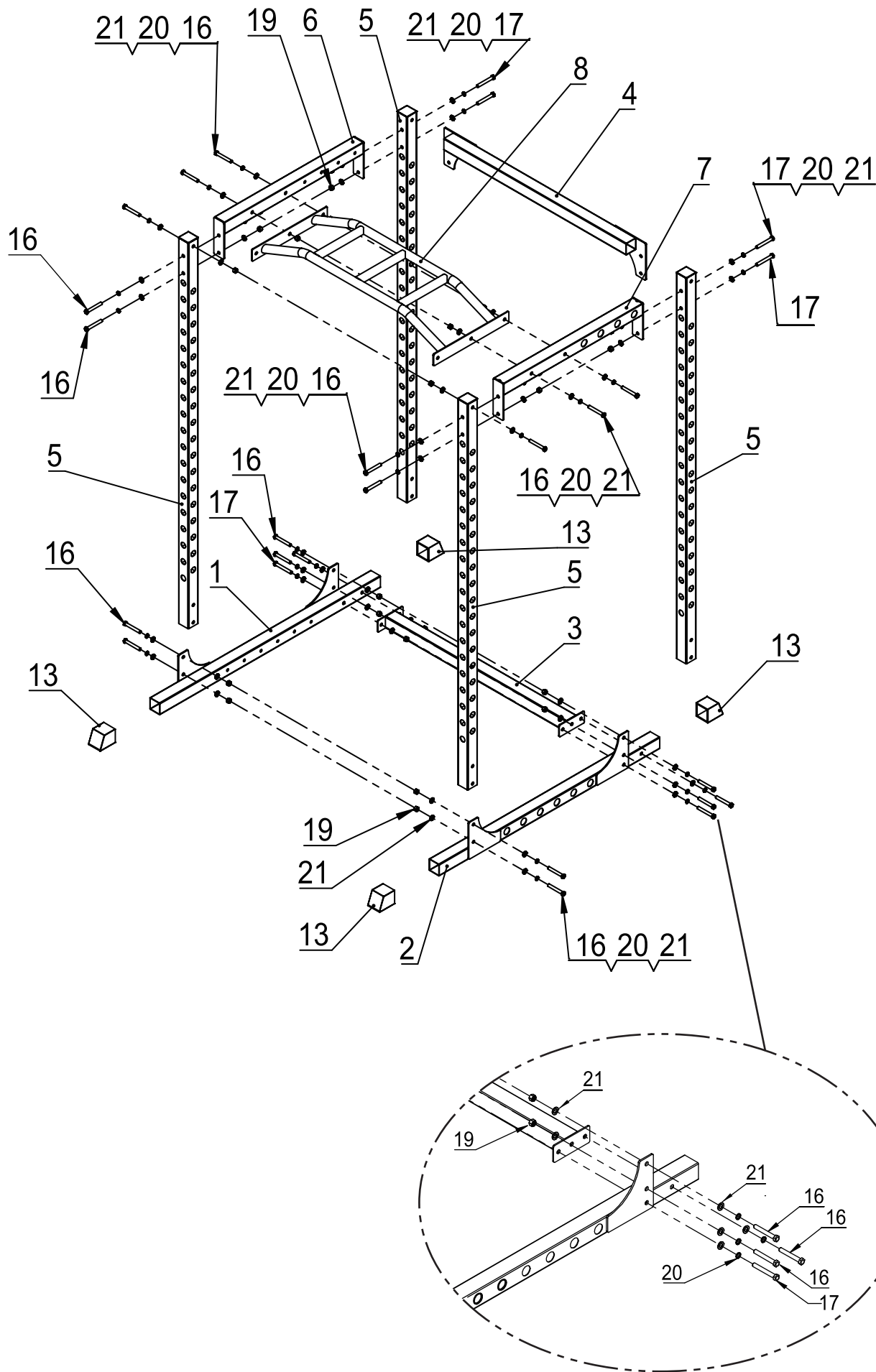
16 x20

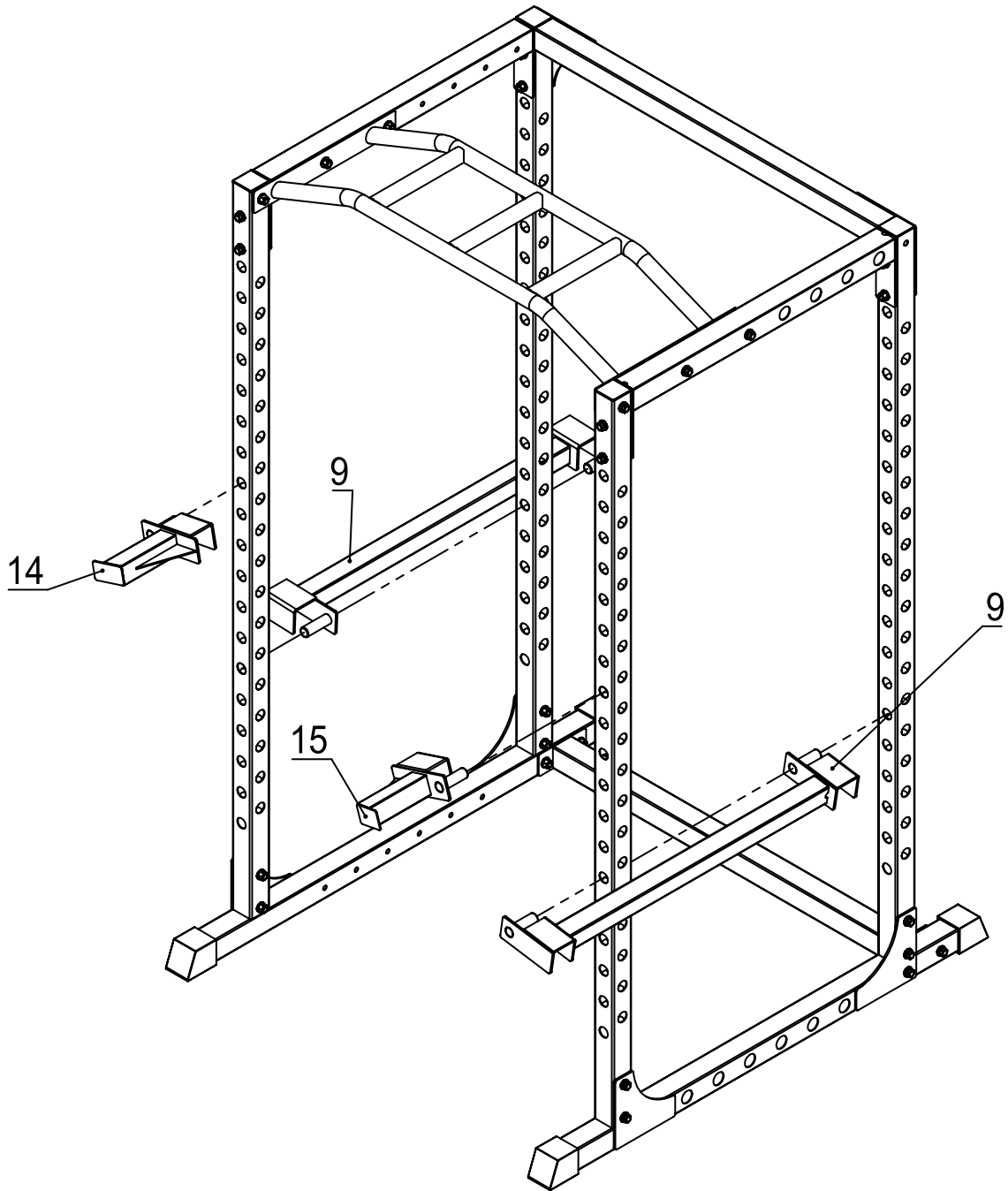
17 x 6

19 x26

20 x26

21 x52





18 x 8

22 x 8

23 x 8

