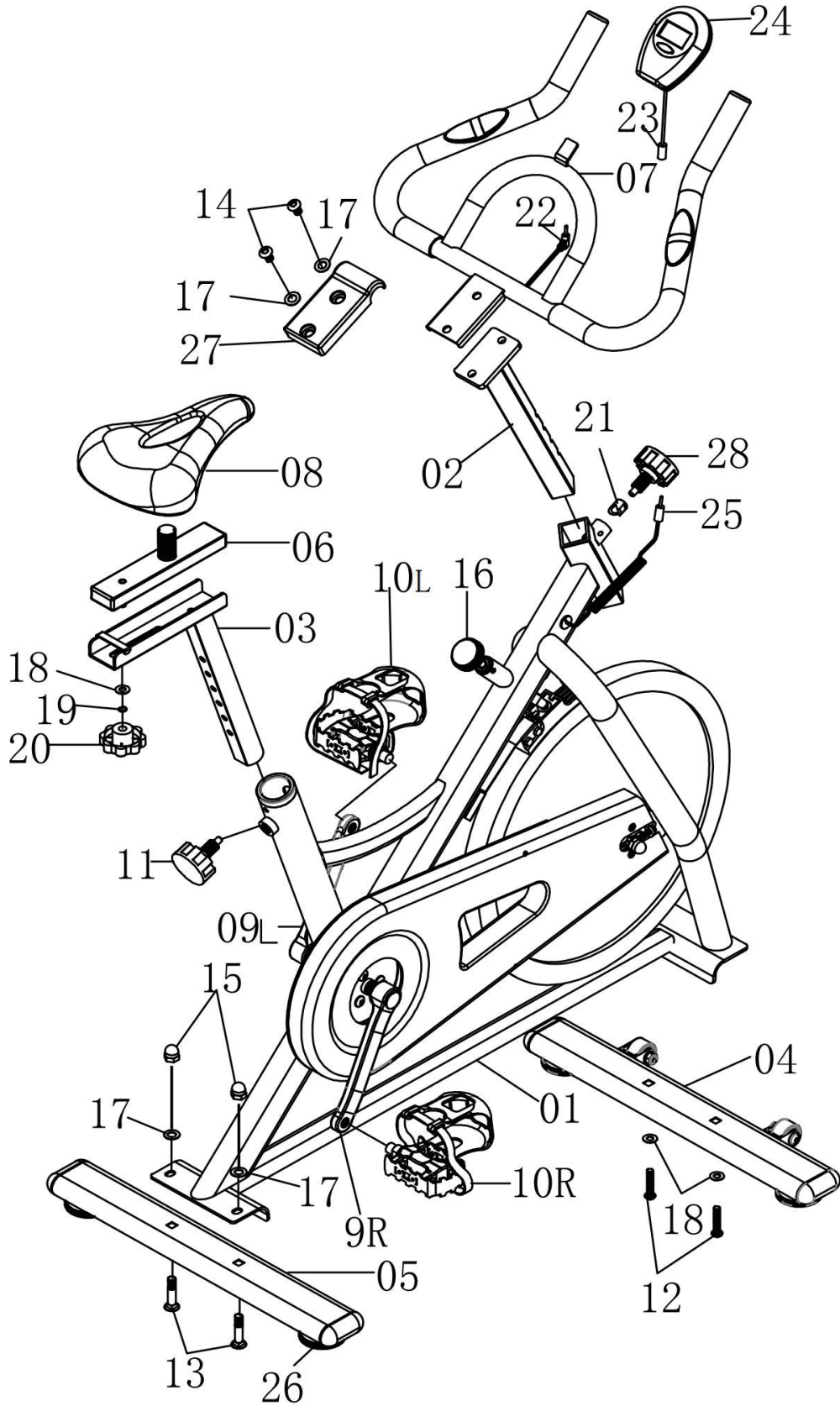


READ AND SAVE THIS INSTRUCTION FOR FUTURE USE

ASSEMBLY & INSTRUCTION MANUAL

EXPLOSIVE VIEW



SPARE PARTS LIST

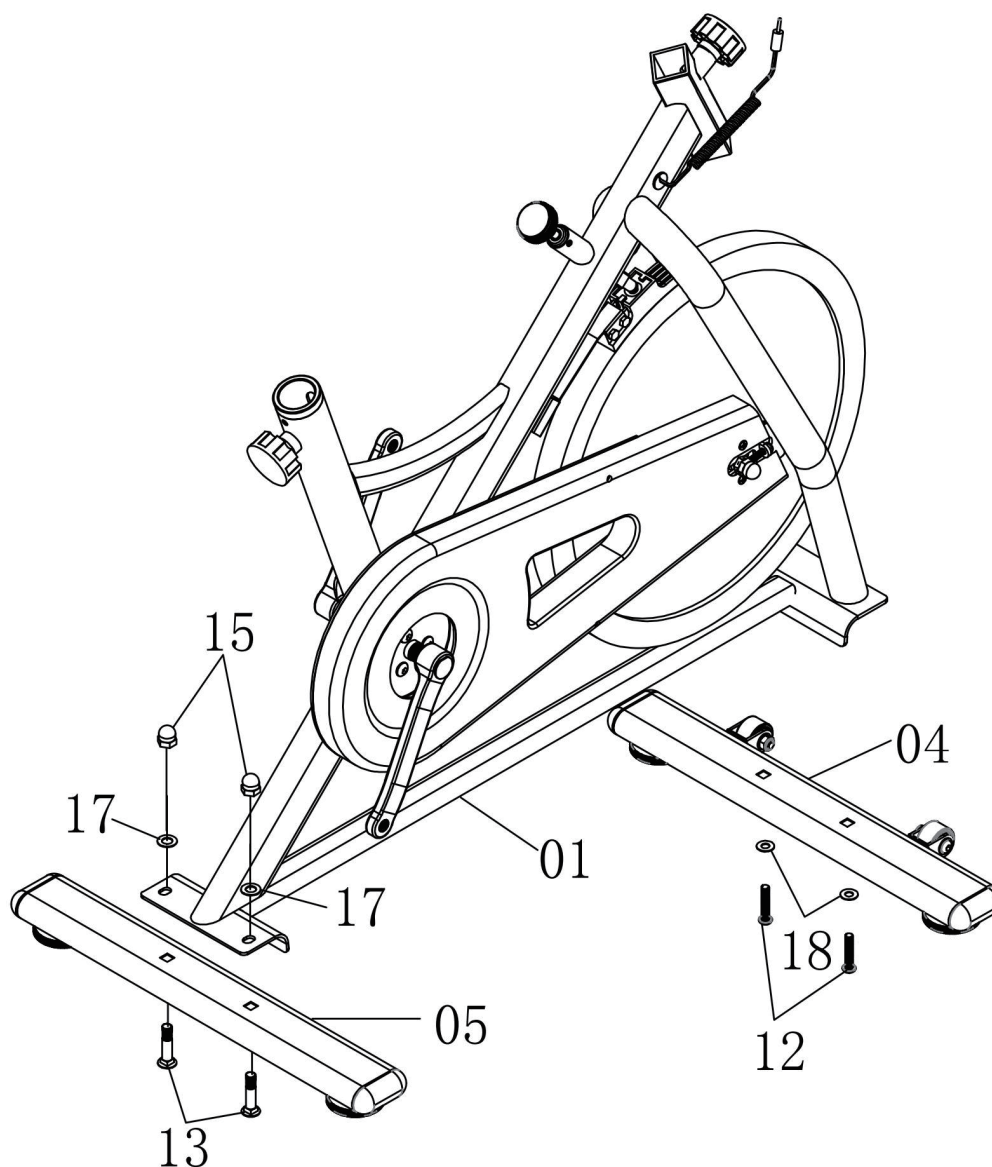
No.	Description	Qty	No.	Description	Qty
01	Main Frame	1	14	Inner Hexagon Bolt M10*15mm	2
02	Upright	1	15	Dome Nut M10	2
03	Seat Support	1	16	Brake Knob	1
04	Front Stabilizer	1	17	Flat Washer M10	4
05	Rear Stabilizer	1	18	Flat Washer M8	3
06	Seat Slider	1	19	Spring Washer M8	1
07	Handlebar	1	20	Knob M8	1
08	Seat	1	21	Bushing	1
09L	Left Crank	1	22	Pulse Sensor Wire	1
09R	Right Crank	1	23	Upper Sensor Wire	1
10L	Left Pedal	1	24	Monitor	1
10R	Right Pedal	1	25	Lower Sensor Wire	1
11	Adjustable Knob	1	26	Adjustable Foot Pad	4
12	Inner Hexagon Bolt M8*40mm	2	27	Handlebar Cover	1
13	Carriage Bolt M10*45mm	2	28	Adjustable Knob	1

ASSEMBLY INSTRUCTION

Step 1

Attach Front Stabilizer(04) to Main Frame(01), using two Inner Hexagon Bolts(12) and two Flat Washer(18).

Attach Rear Stabilizer(05) to Main Frame(01), Using two Carriage Bolts(13), two Flat Washers(17) and two Dome Nuts(15).



Step 2

Attach the Seat(08) to Seat Slider(06), then put it onto Seat Support(03), tighten with a Flat Washer(18), Spring Washer(19) and Knob(20).

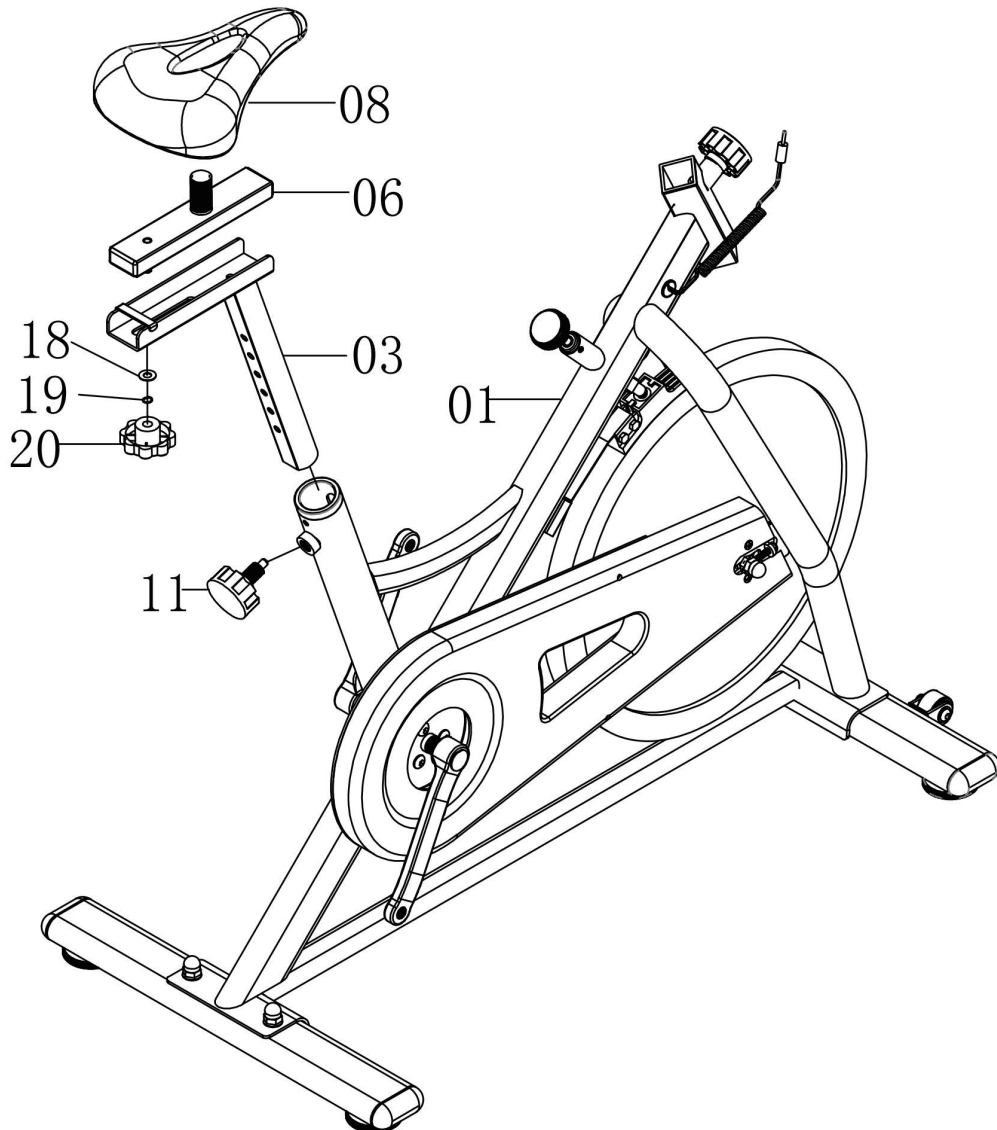
Insert this Seat Support assembly to Main Frame(01), secure by using one Adjustable Knob(11).

Noted:The Adjustable Knob(11) is pre-assembled,when using it please follow below:

1:Turn knob counter-clockwise three times.

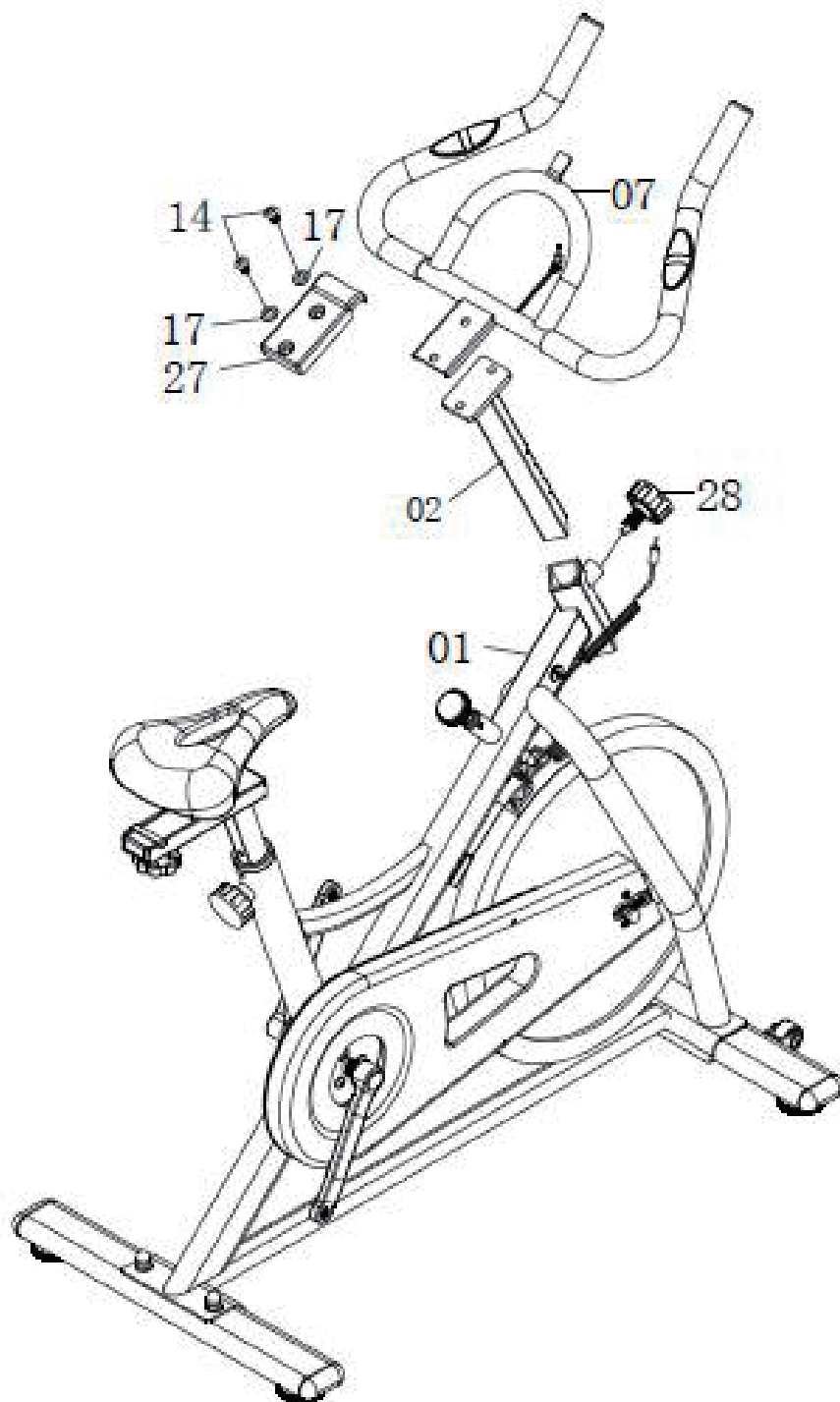
2:Pull knob outward and adjust seat simultaneously.

3:Push the Knob back inward until it clicks and the tighten it by turning clockw



Step 3

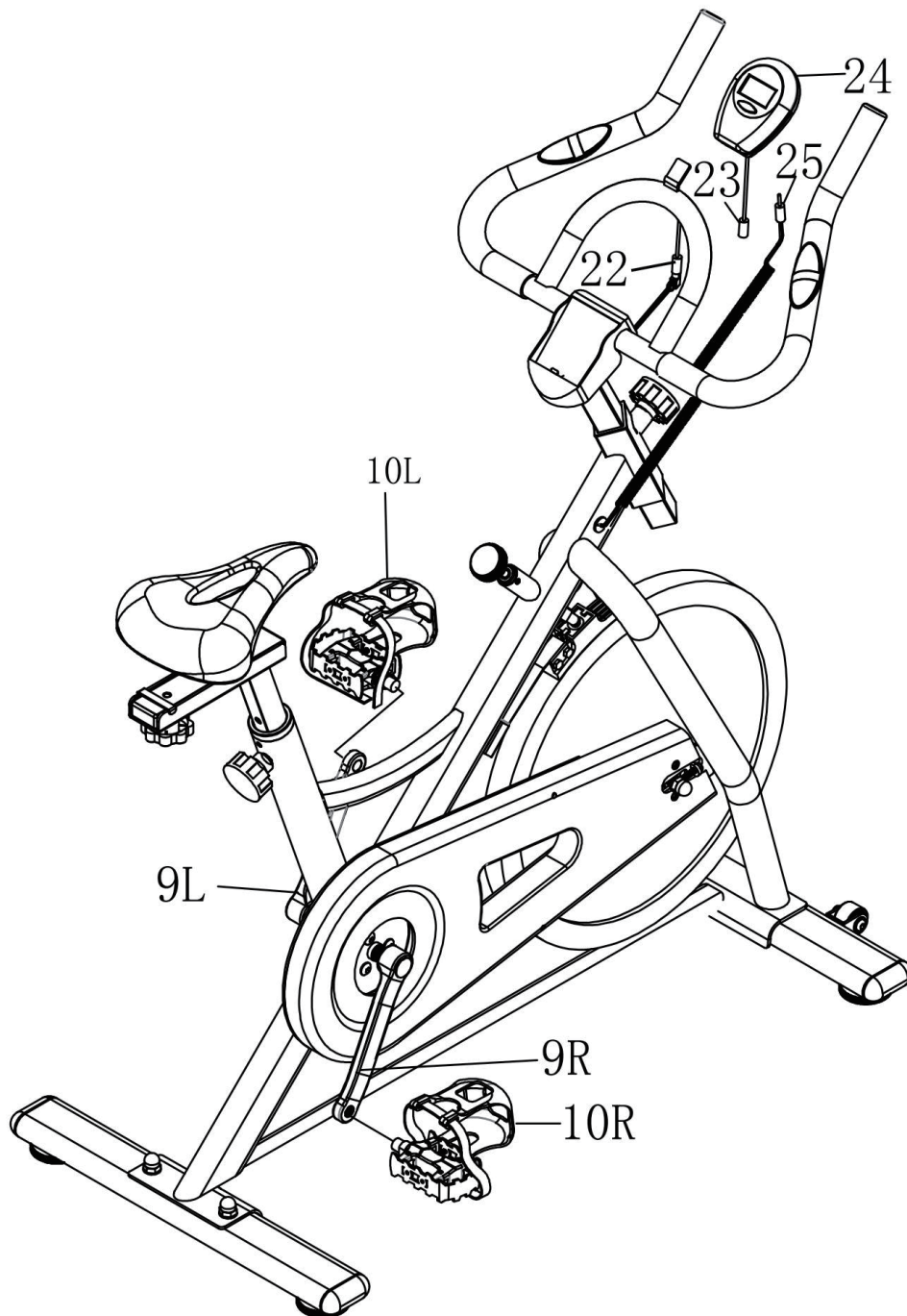
Attach Handlebar(07) to Upright(02) using two Inner Hexagon Bolts(14) and two Flat Washers(17), then put the Handlebar Cover(27) onto Handlebar(07) as showing. Insert Upright assembly to Main Frame(01) secure by using Adjustable Knob(28).



Step 4

Attache the Monitor(24) to the bracket of Handlebar(07).Connect the Upper Sensor Wire(23) to Pulse Sensor Wire(22) and Lower Sensor Wire(25) to the back of the Monitor(24).

Tighten the Left Pedal(10L) counter-clockwise onto the Left Crank(09L), and tighten the Right Pedal(10R) clockwise onto the Right Crank(09R) .



US



001-877-644-9366
customerservice@aosom.com

CA



001-855-537-6088
customerservice@aosom.ca

UK



0044-800-240-4004
enquiries@mhstar.co.uk

DE



0049-(0)40-88307530
service@aosom.de

FR



0033-1-84166106
contact@aosom.fr

ES



0034-931294512
atencioncliente@aosom.es

IT



0039-0249471447
clienti@aosom.it