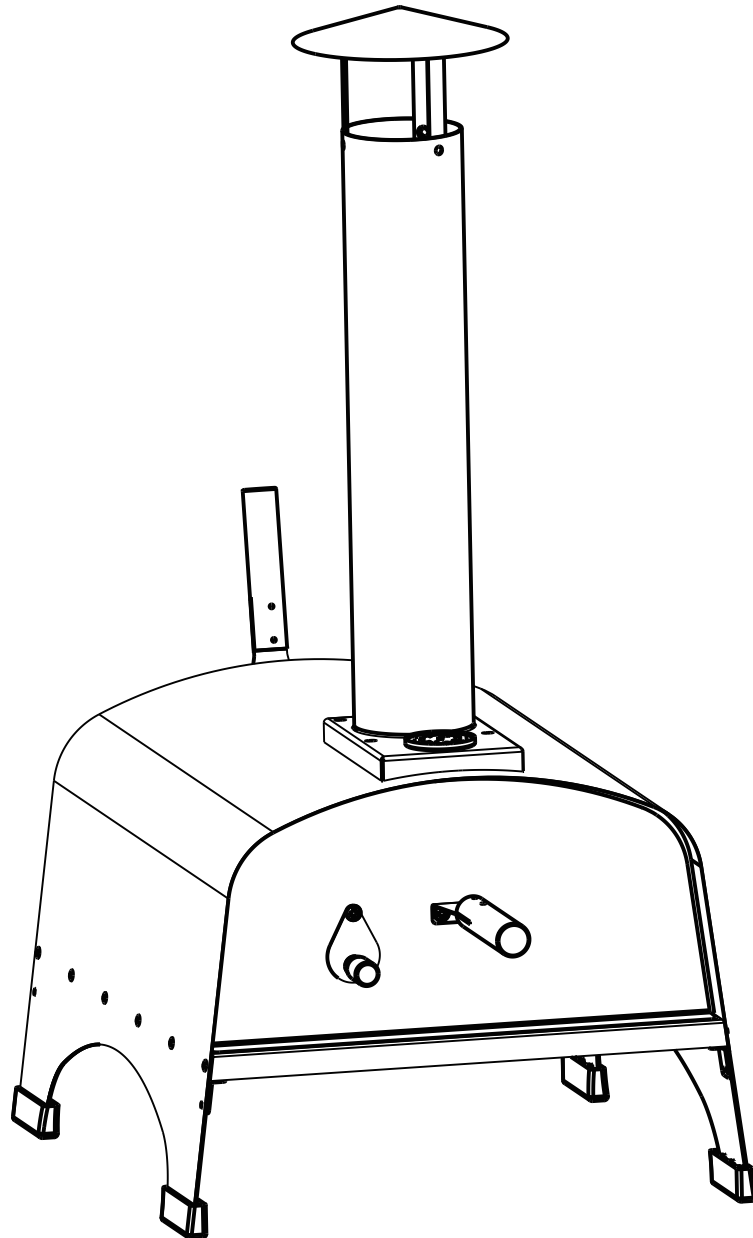




INb1b001_US

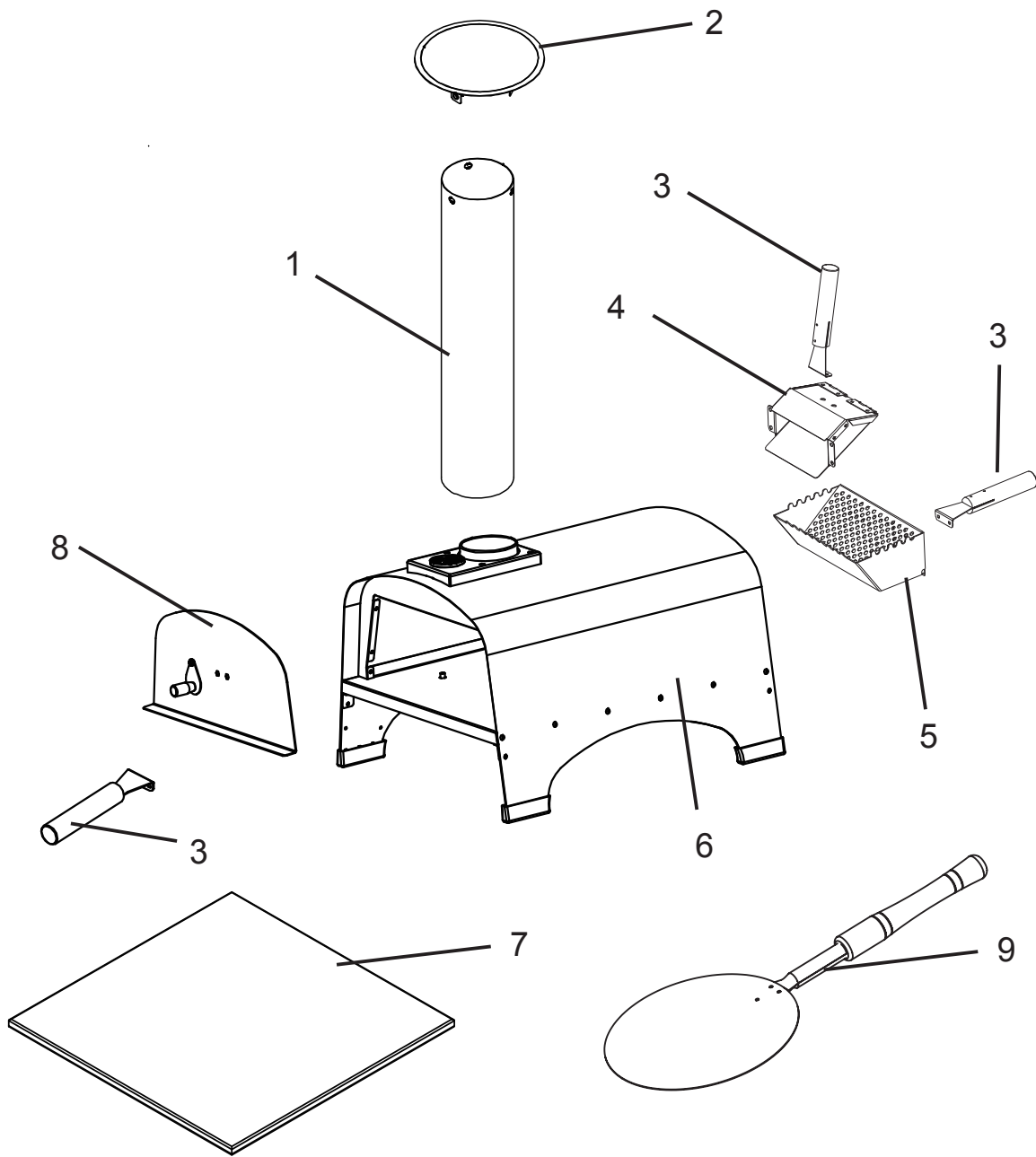
846-083



IMPORTANT, RETAIN FOR FUTURE REFERENCE: READ CAREFULLY

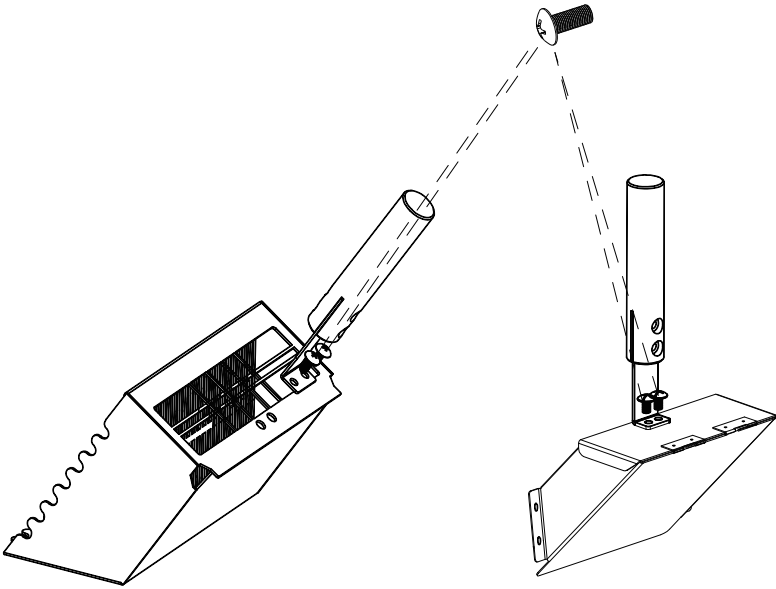
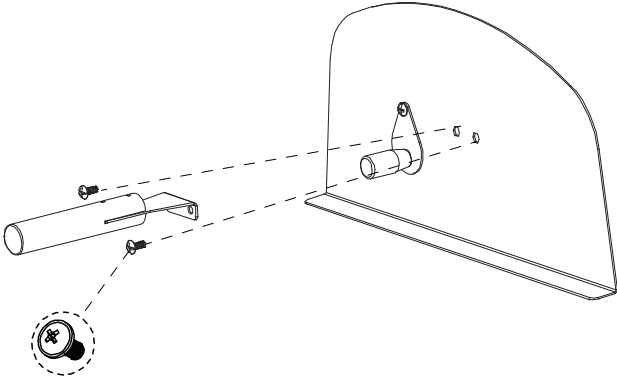
ASSEMBLY & INSTRUCTION MANUAL

TABEL OF CONTENTS

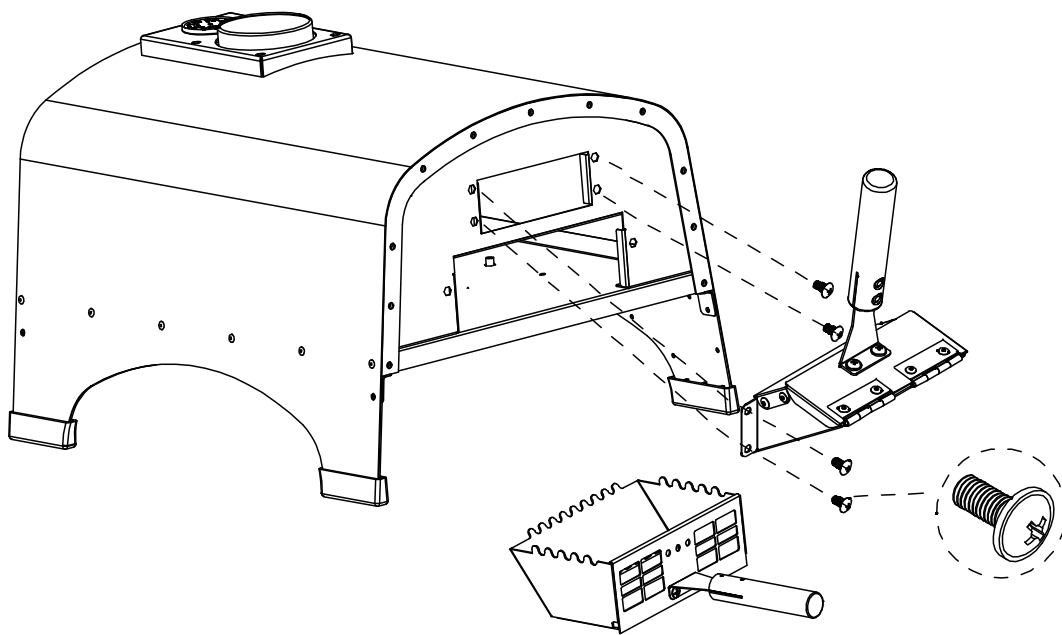


Ref	Part	Quantity	Ref	Part	Quantity
1	Chimney	1	6	Body	1
2	Window Cover	1	7	Stone Tile	1
3	Handle	3	8	Door	1
4	Hopper	1	9	Isolation plate	1
5	Wood box	1	A	M5 Bolt	13+1 _(spare)

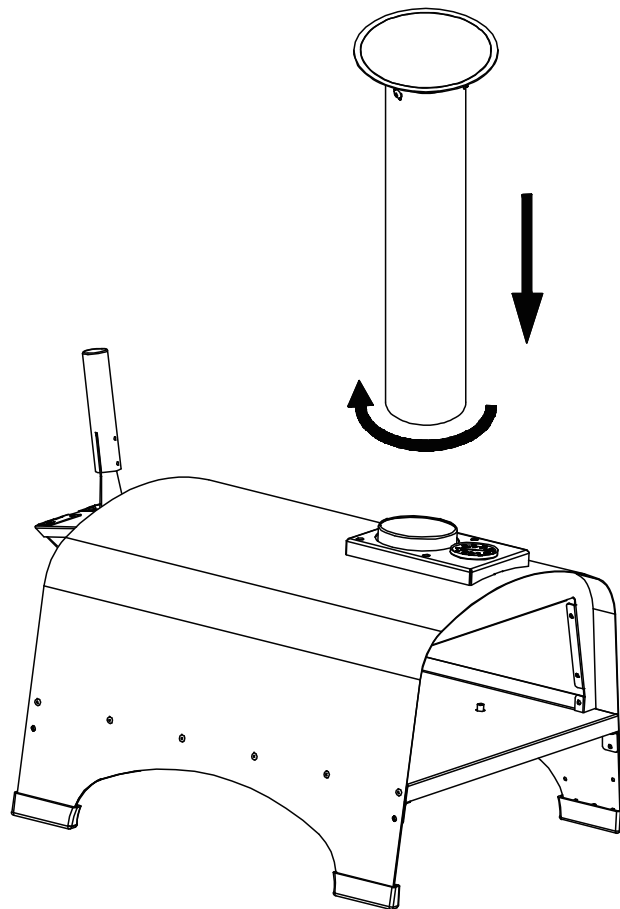
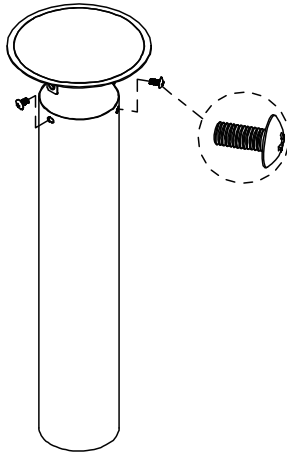
Step 1. Attach the handles to door, hopper and wood box.



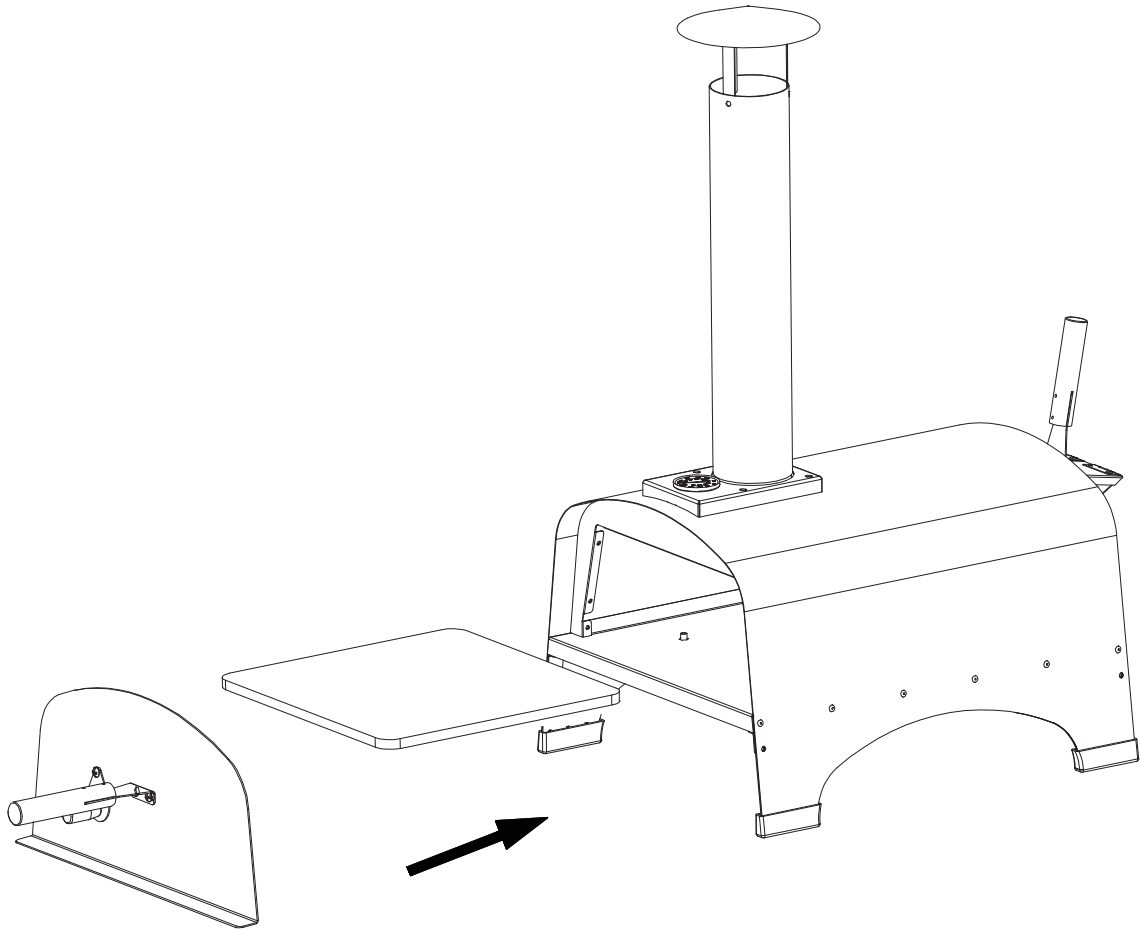
Step 2. Attach the hopper and wood box to the back of the body.



Step 3. Attach the chimney cap onto the top of the chimney pipe. Once attached, slide the chimney onto the oven.



Step 4. Slide the oven stone into the body.



Assembling finished and now enjoy your time.