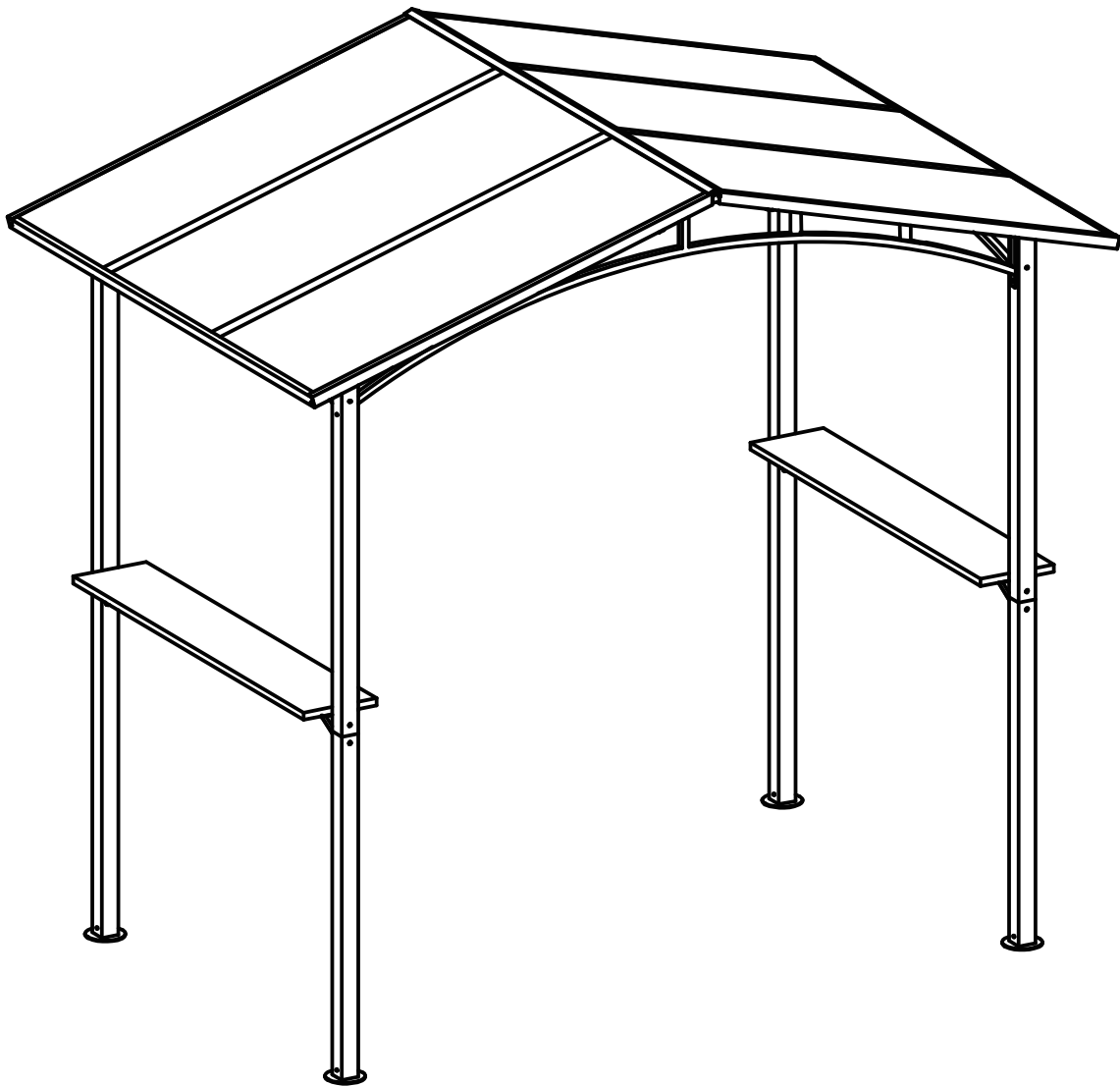




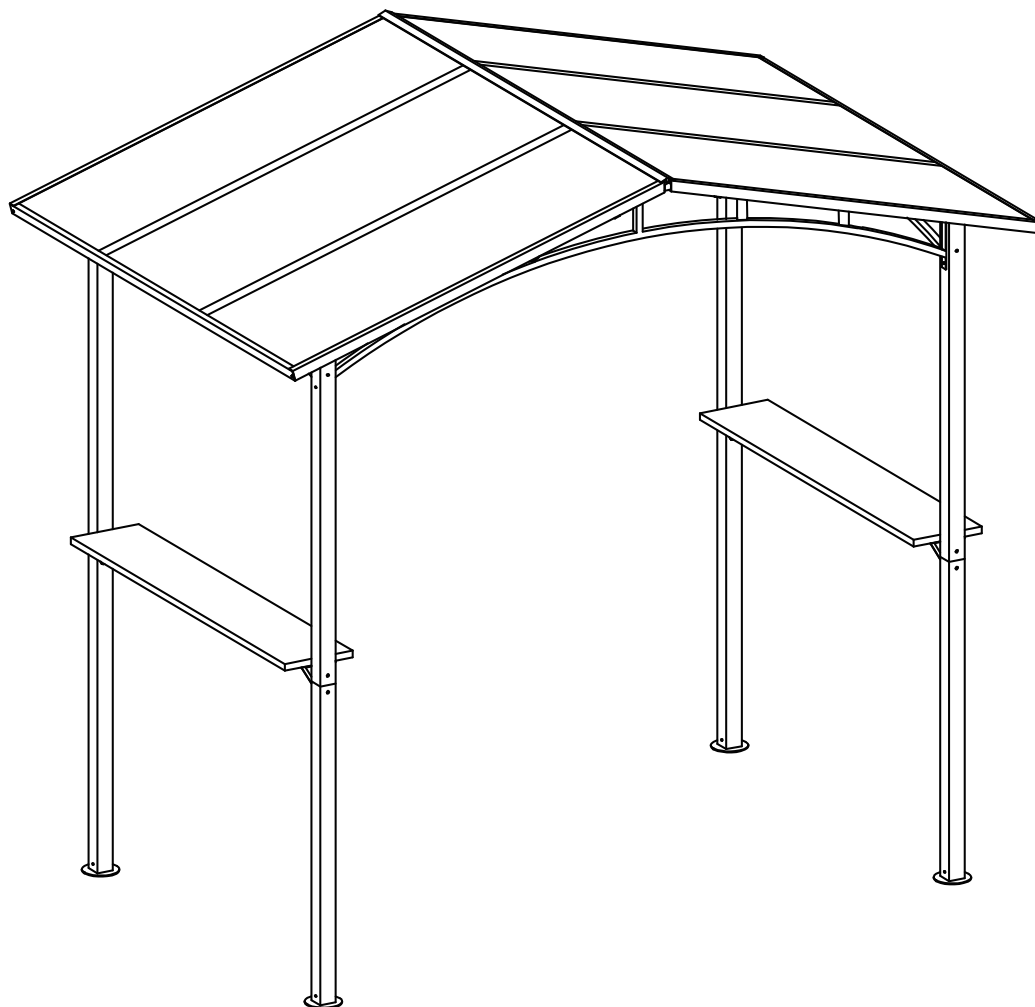
INb2004\_GL

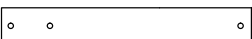



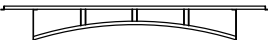
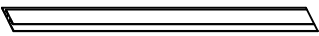


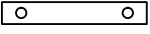



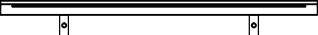

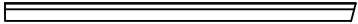

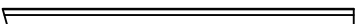

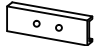

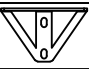



**84C-220**

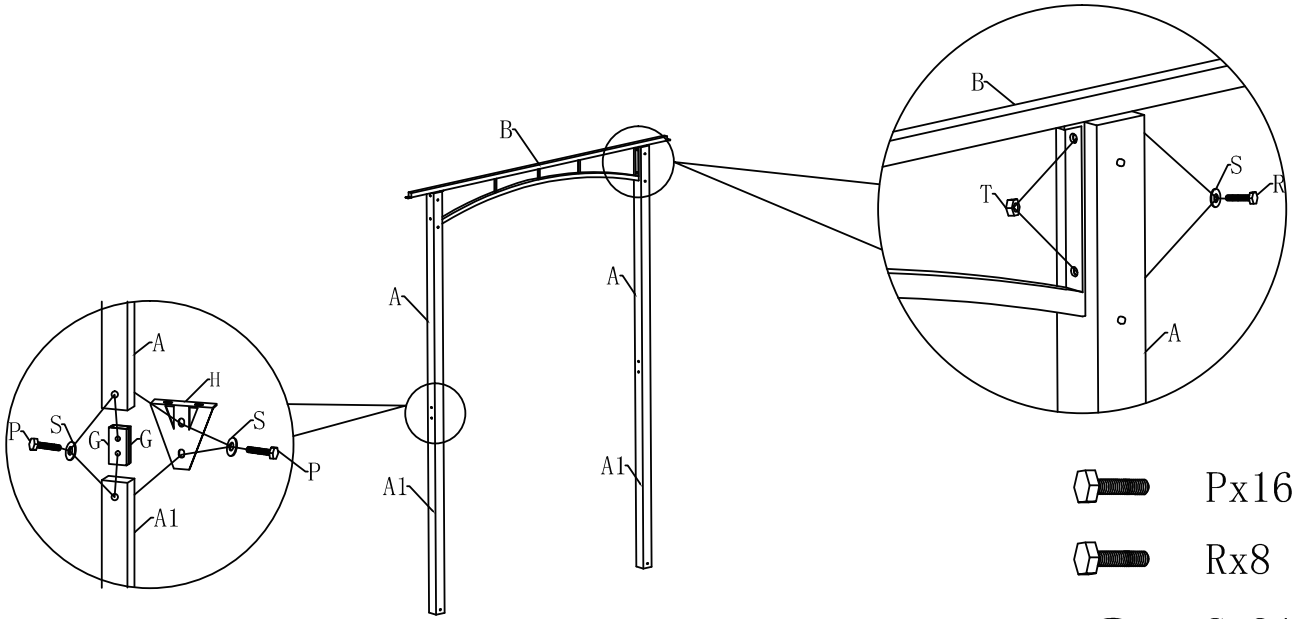


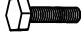



READ AND SAVE THIS INSTRUCTIONS FOR FUTURE USE

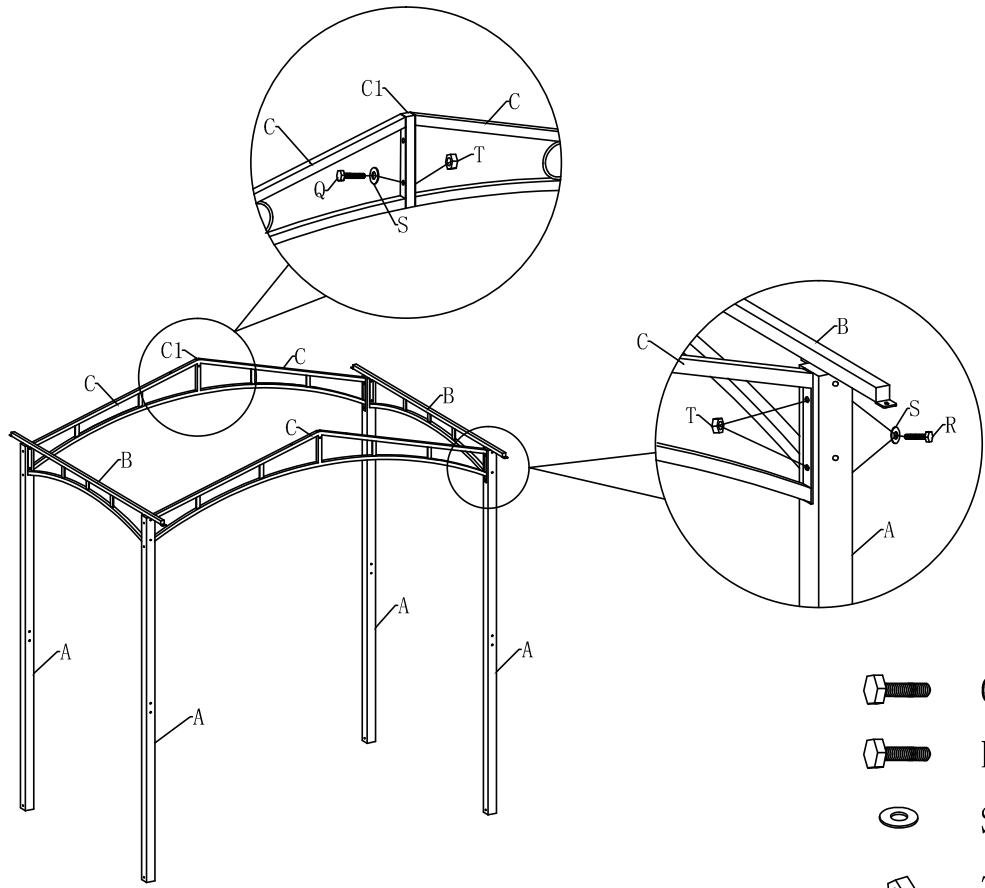
**ASSEMBLY & INSTRUCTION MANUAL**







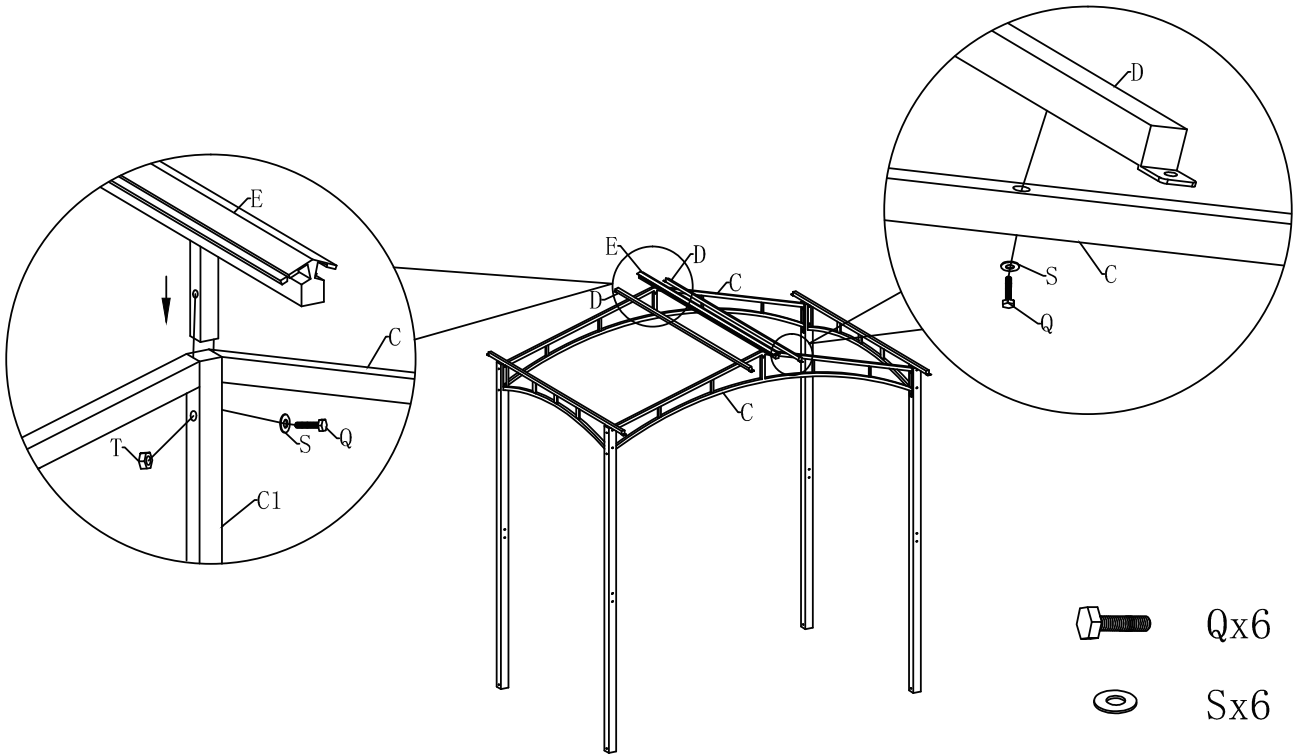
| NO. | COMPONENT   | QTY | NO. | COMPONENT   | QTY |
|-----|---|-----|-----|---|-----|
| A   |  | 4   | J   |   | 2   |
| A1  |  | 4   | K   |  | 6   |
| B   |  | 2   | L   |   | 4   |
| C   |  | 4   | M   |  | 2   |
| C1  |  | 2   | O   |  | 4   |
| D   |  | 2   | P   |  | 46  |
| E   |  | 1   | Q   |  | 8   |
| F   |  | 2   | R   |  | 16  |
| F1  |  | 2   | S   |  | 70  |
| G   |  | 8   | T   |  | 20  |
| H   |  | 4   | U   |  | 2   |
| I   |  | 2   | V   |  | 8   |






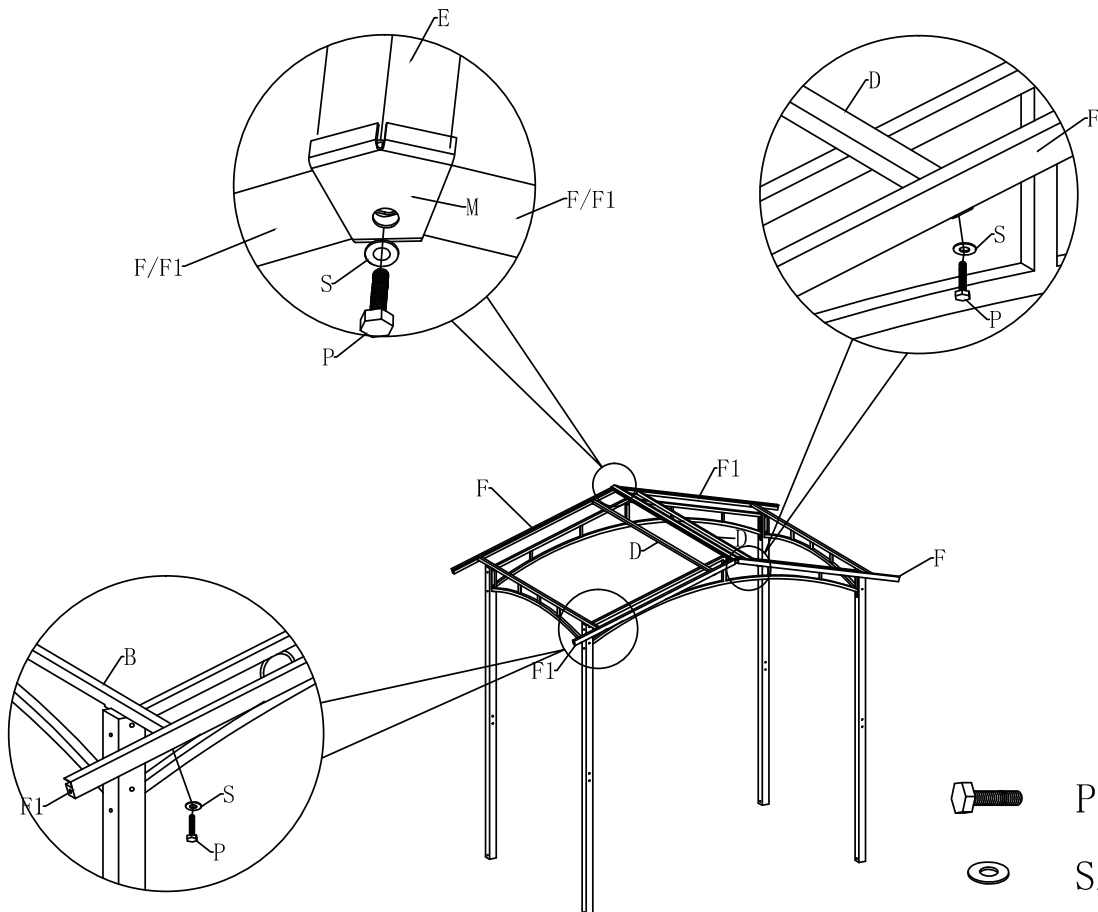
-  Px16
-  Rx8
-  Sx24
-  Tx8





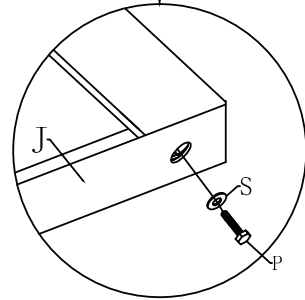
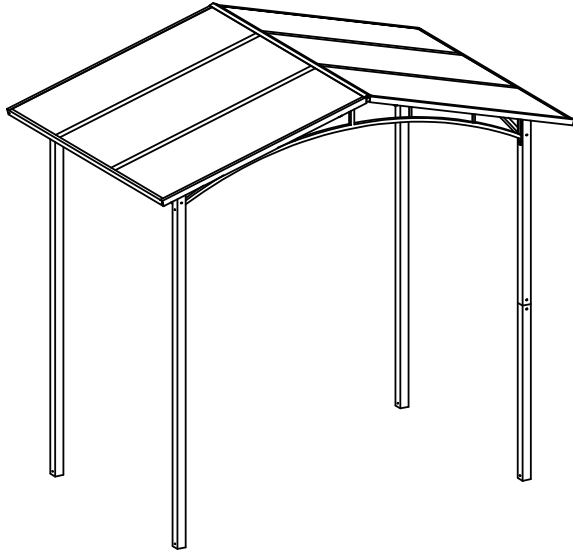
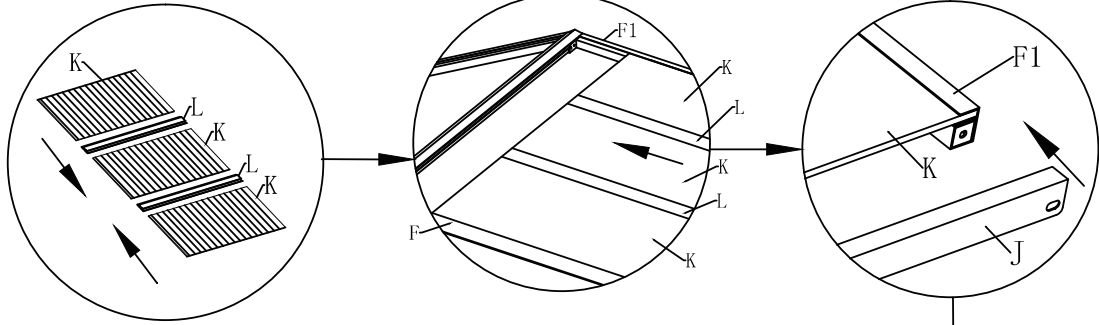
-  Qx2
-  Rx8
-  Sx10
-  Tx10





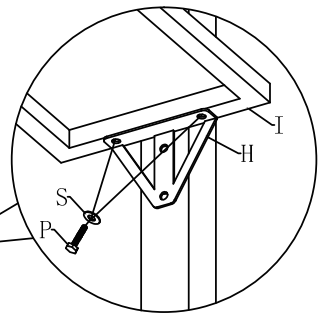
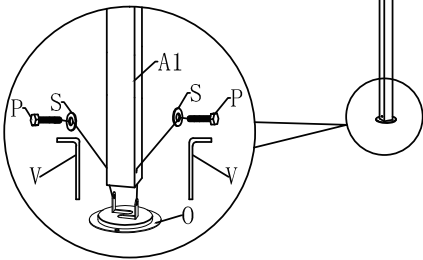
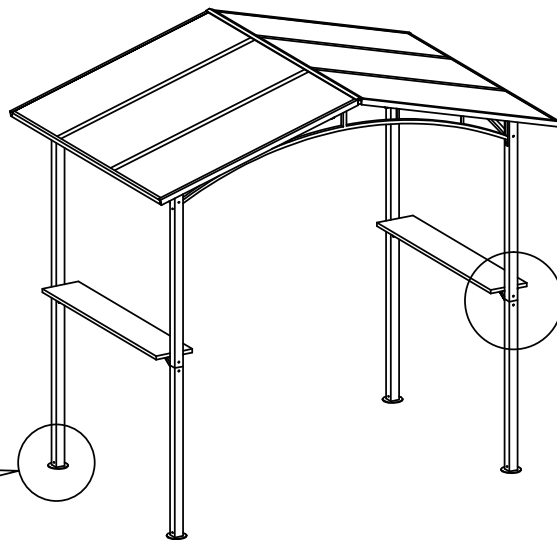
-  Qx6
-  Sx6
-  Tx2





-  Px10
-  Sx10



-  Px4
-  Sx4



-  Px16
-  Sx16

US



001-877-644-9366  
customerservice@aosom.com

CA



001-855-537-6088  
customerservice@aosom.ca

UK



0044-800-240-4004  
enquiries@mhstar.co.uk

DE



0049-(0)40-88307530  
service@aosom.de

FR



0033-1-84166106  
contact@aosom.fr

ES



0034-931294512  
atencioncliente@aosom.es

IT



0039-0249471447  
clienti@aosom.it