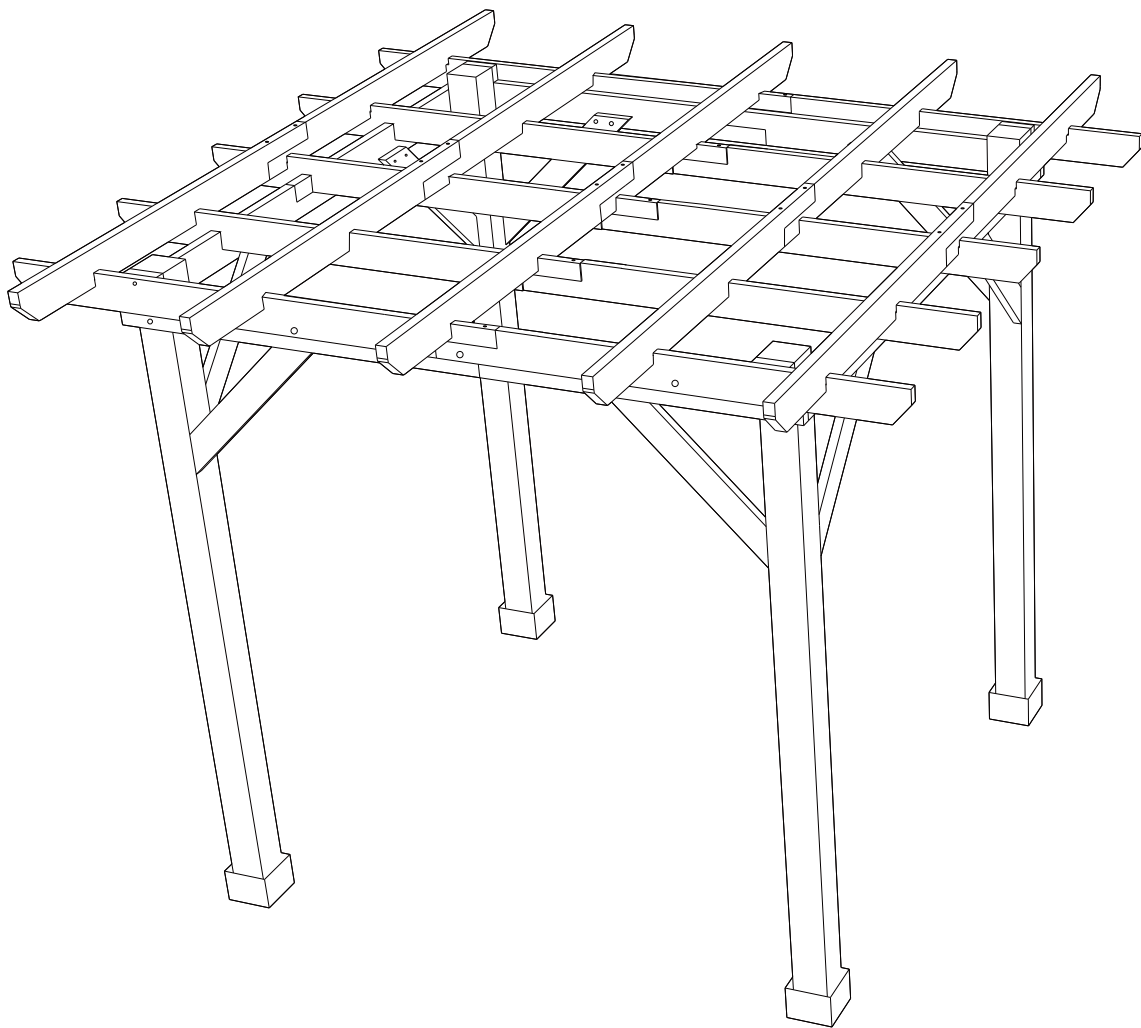




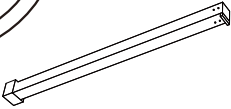
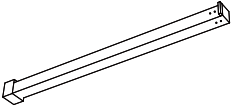
INbac012\_GL





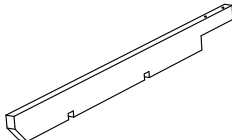
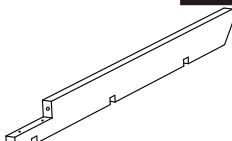
**84C-284**

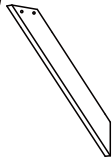
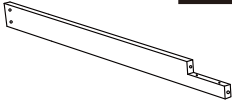
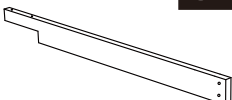
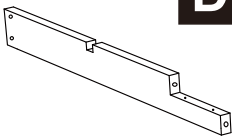
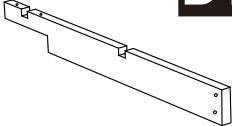



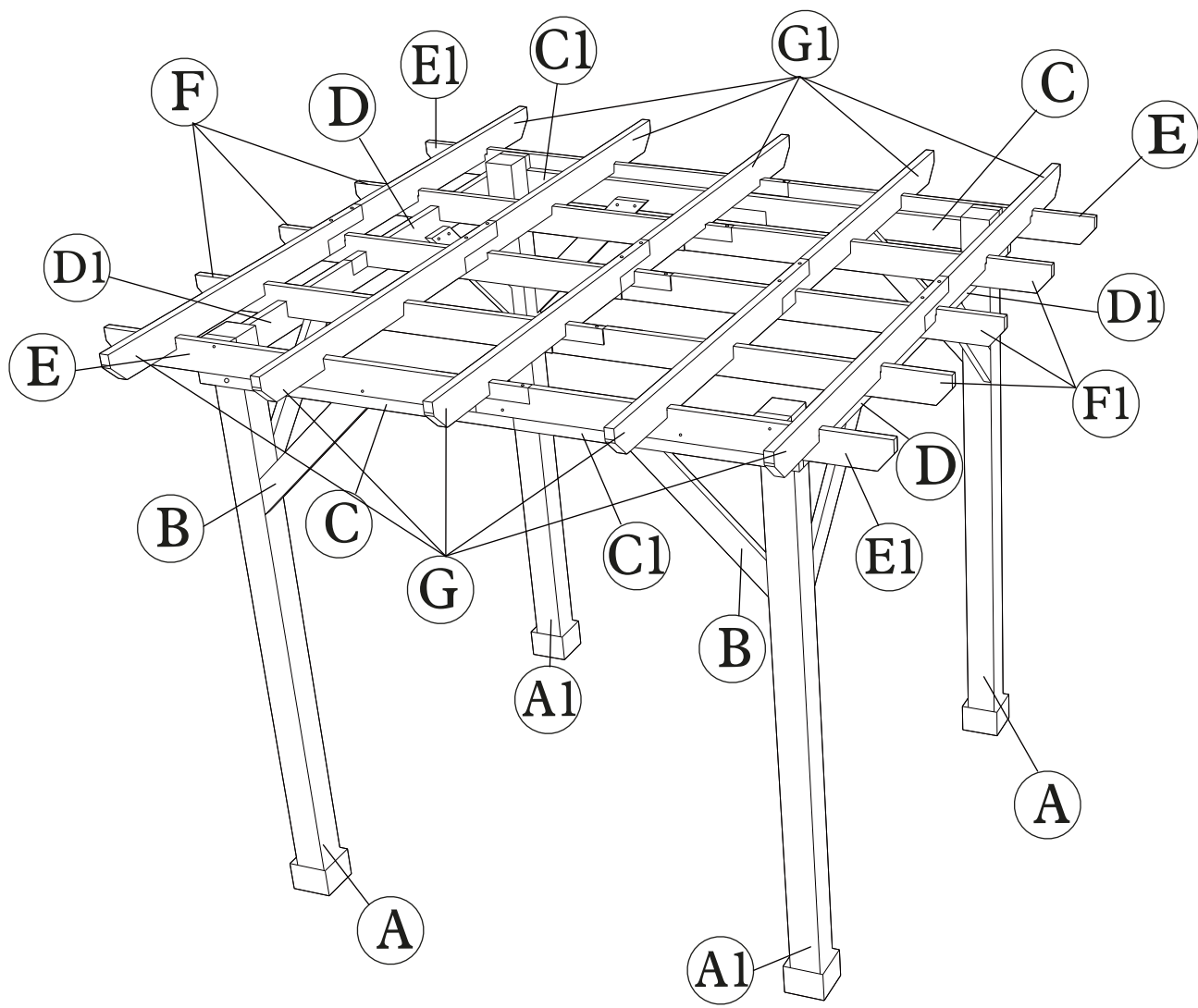
**IMPORTANT, RETAIN FOR FUTURE REFERENCE: READ CAREFULLY**

# ASSEMBLY & INSTRUCTION MANUAL

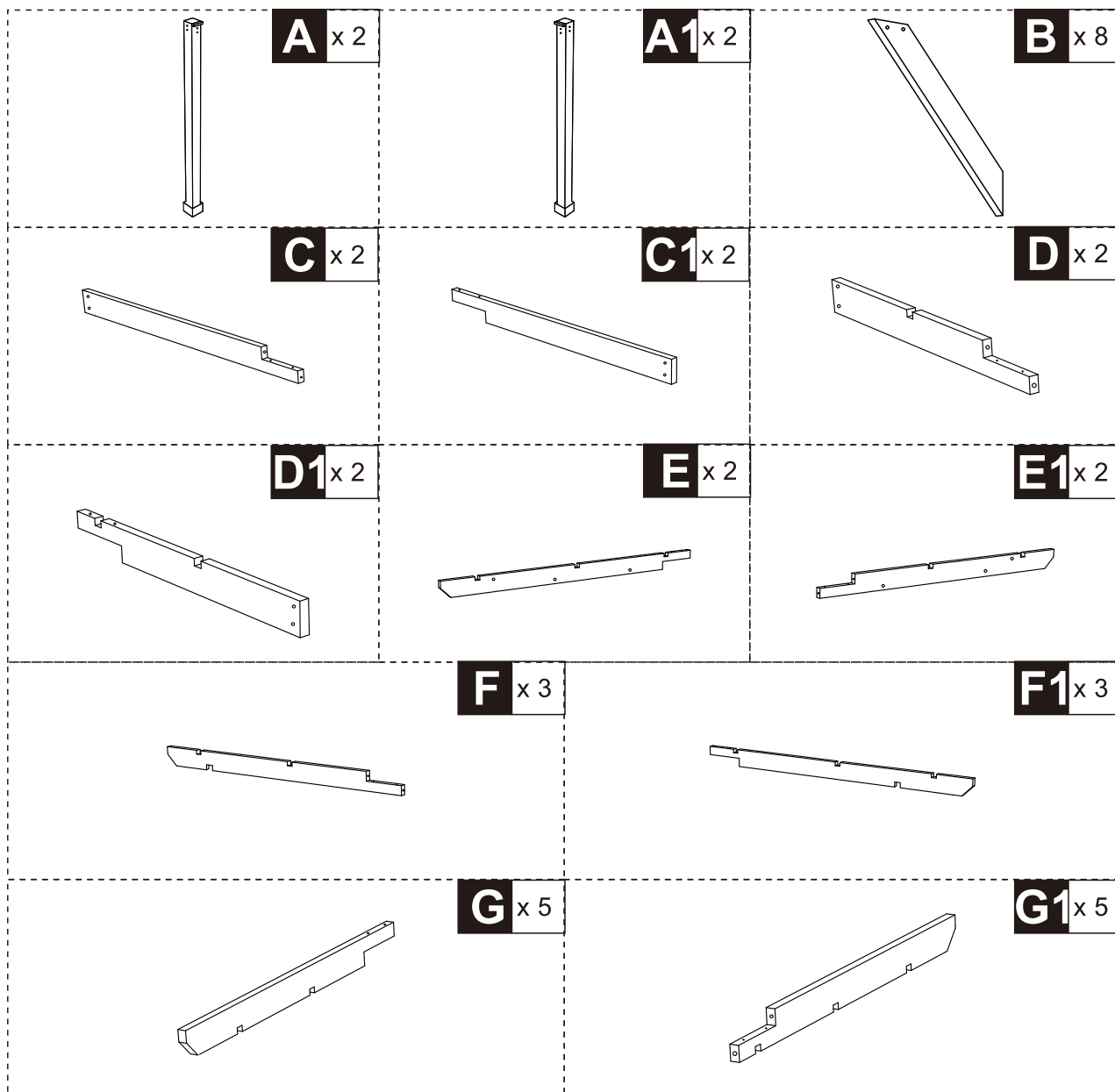
<b>BOX</b> 1-3	<b>A</b> x 2
	
	<b>A1</b> x 2
	

<b>BOX</b> 2-3	<b>E</b> x 2
	
	<b>E1</b> x 2
	
	<b>F</b> x 3
	
	<b>F1</b> x 3
	
	<b>G</b> x 5
	
	<b>G1</b> x 5
	

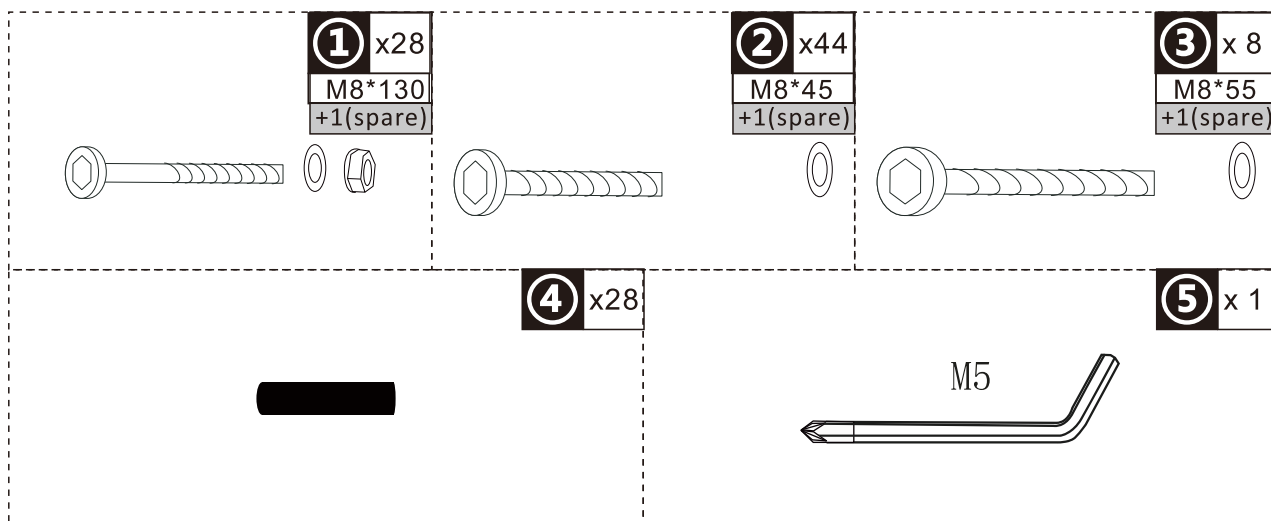
<b>BOX</b> 3-3	<b>B</b> x 8
	
	<b>C</b> x 2
	
	<b>C1</b> x 2
	
	<b>D</b> x 2
	
	<b>D1</b> x 2
	
	
	Hardware Kit



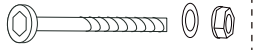
**PARTS**



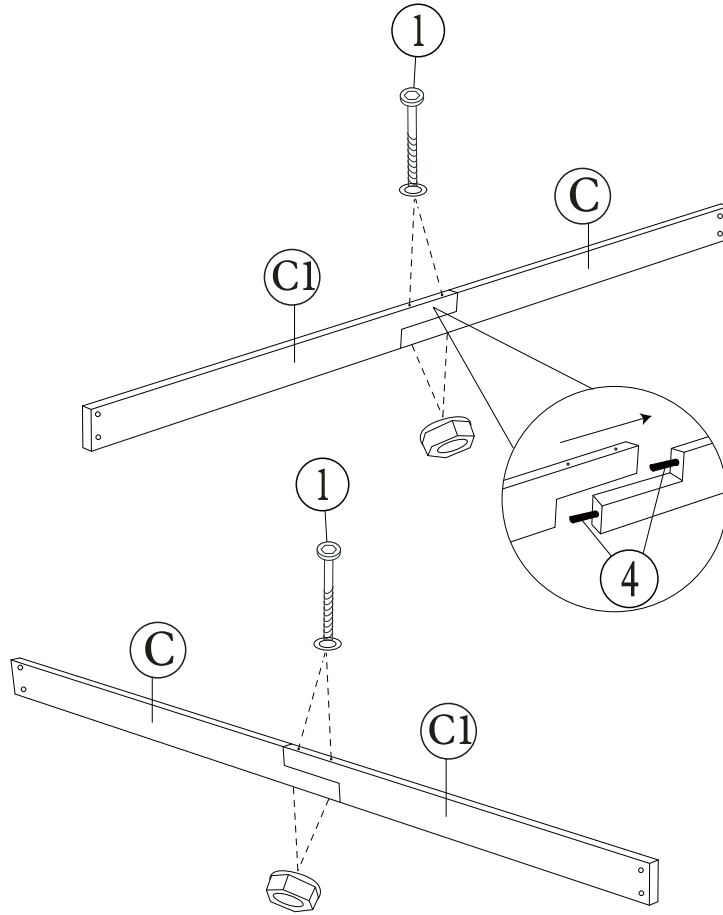
**HARDWARE**



1 x4  
M8\*130



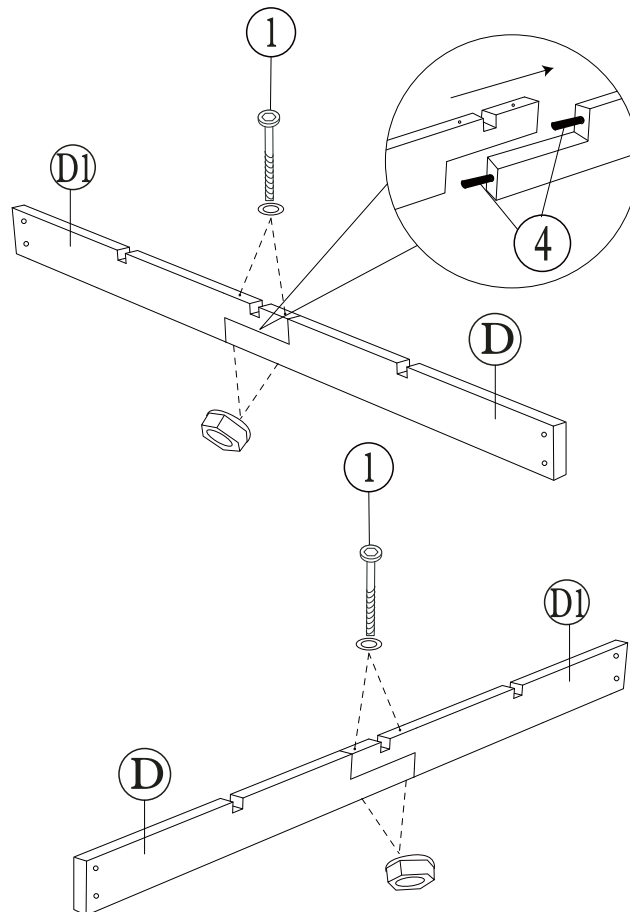
4 x4



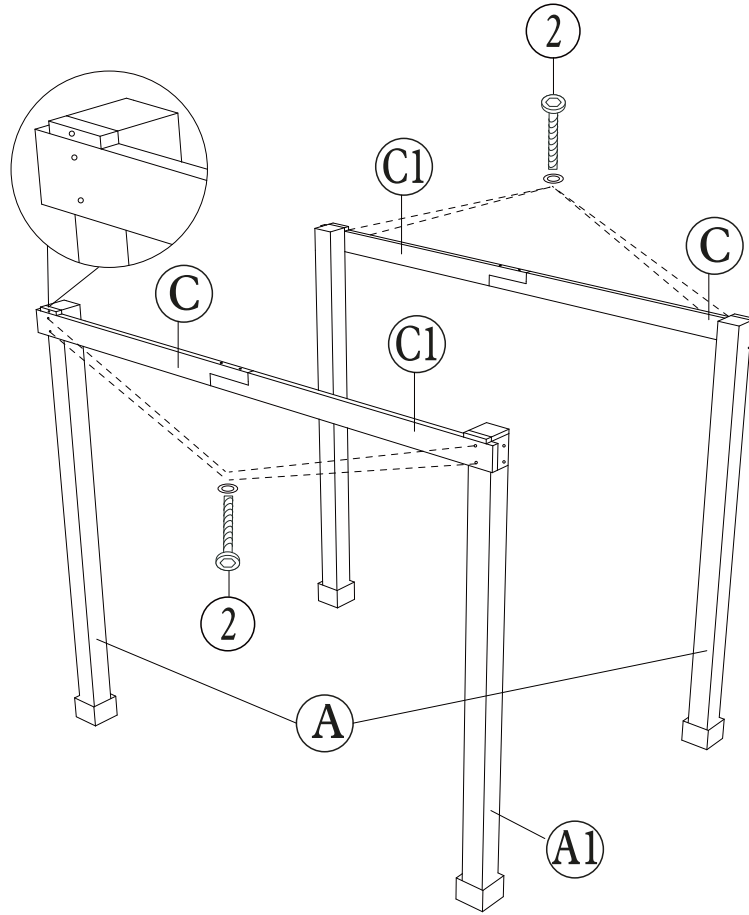
1 x4  
M8\*130



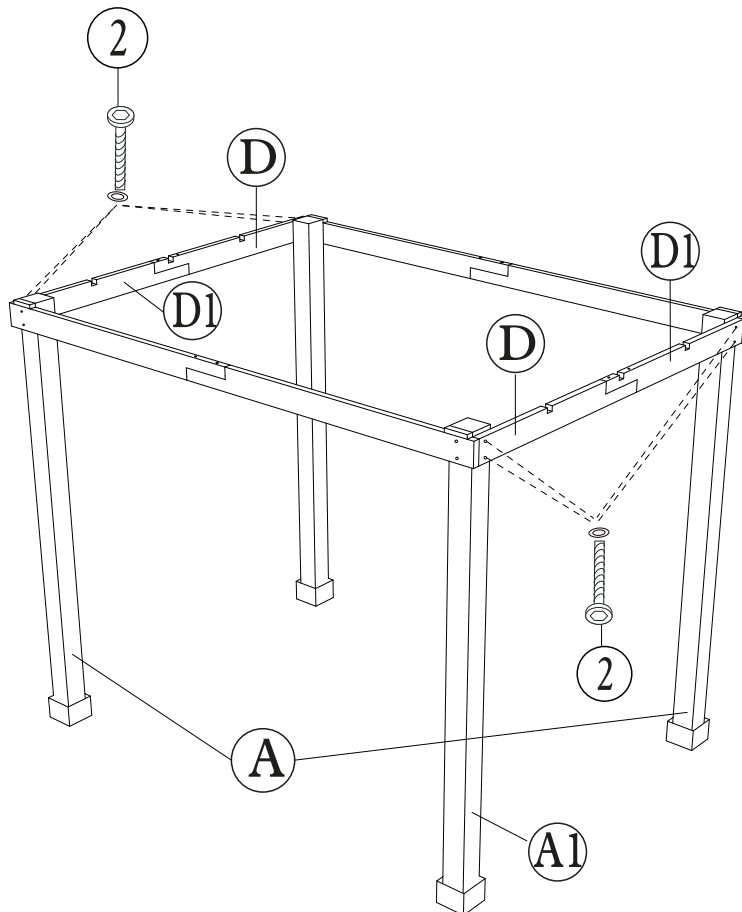
4 x4



2 x 8  
M8\*45



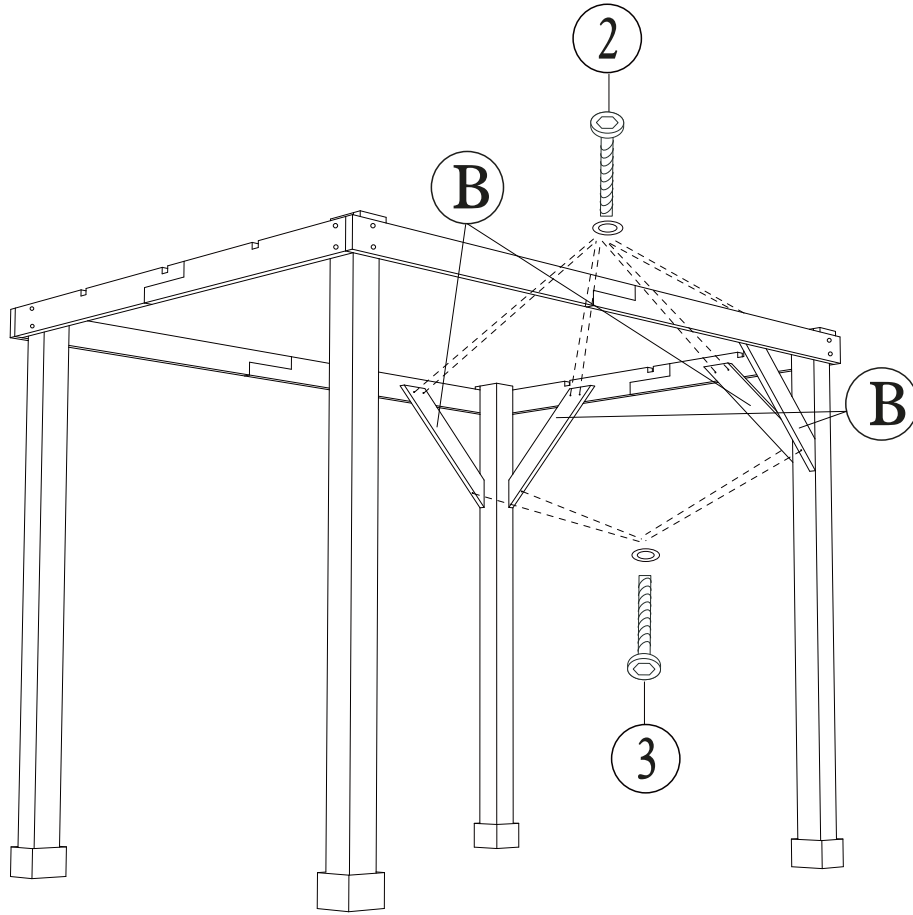
2 x 8  
M8\*45



2 x 8  
M8\*45



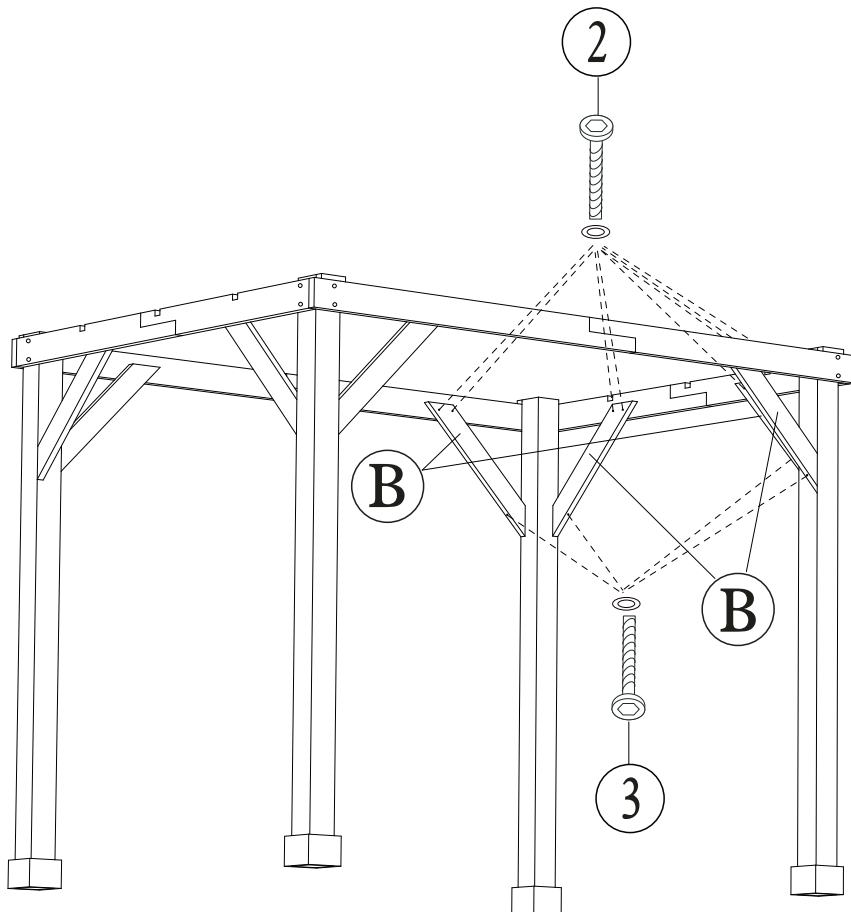
3 x 4  
M8\*55



2 x 8  
M8\*45



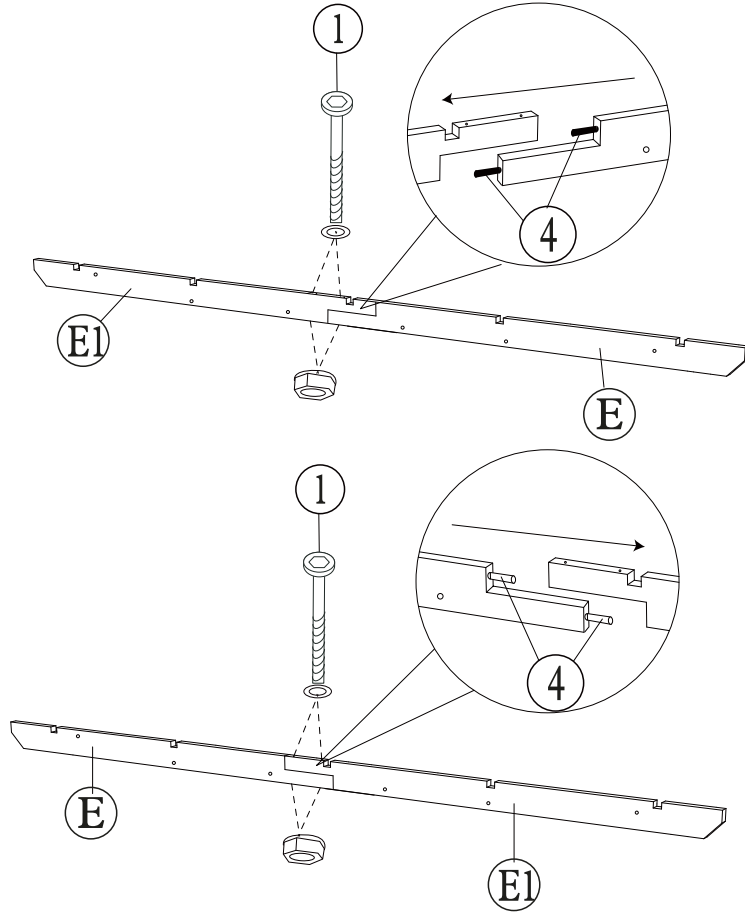
3 x 4  
M8\*55



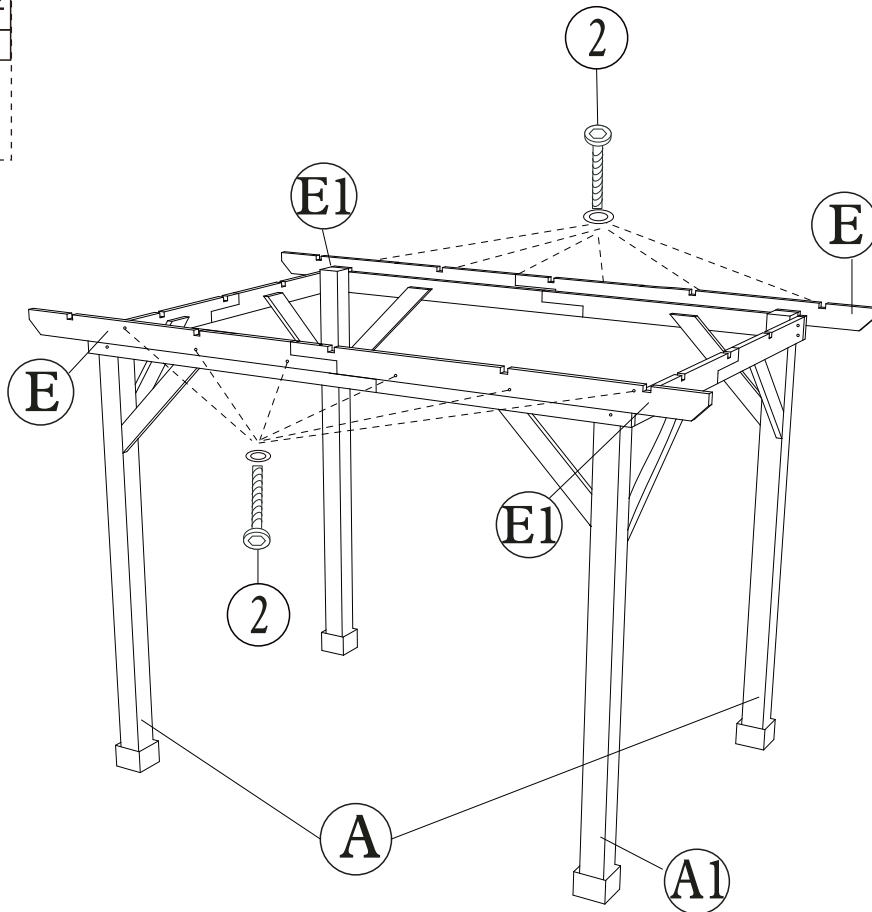
1 x 4  
M8\*130



4 x 4



2 x 12  
M8\*45

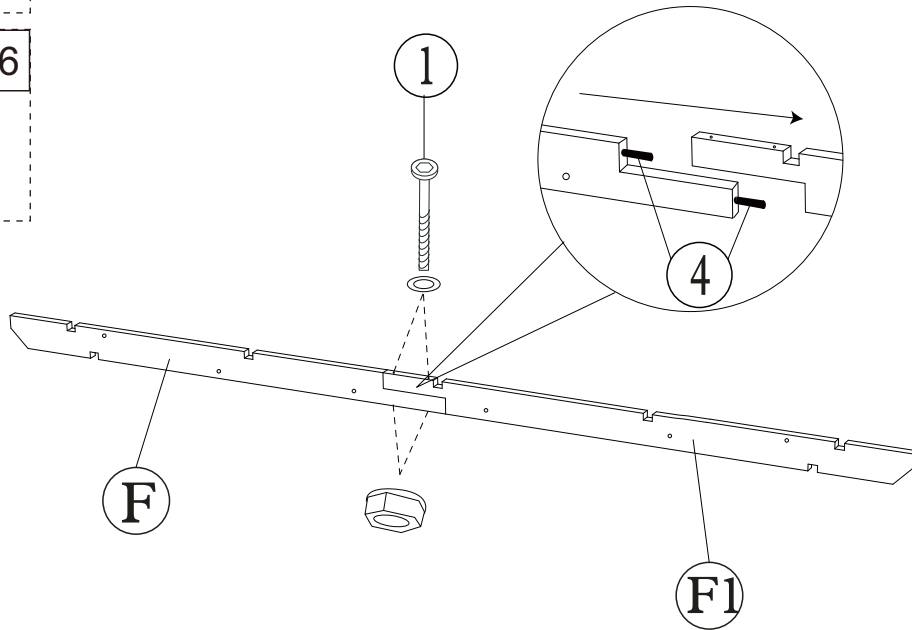




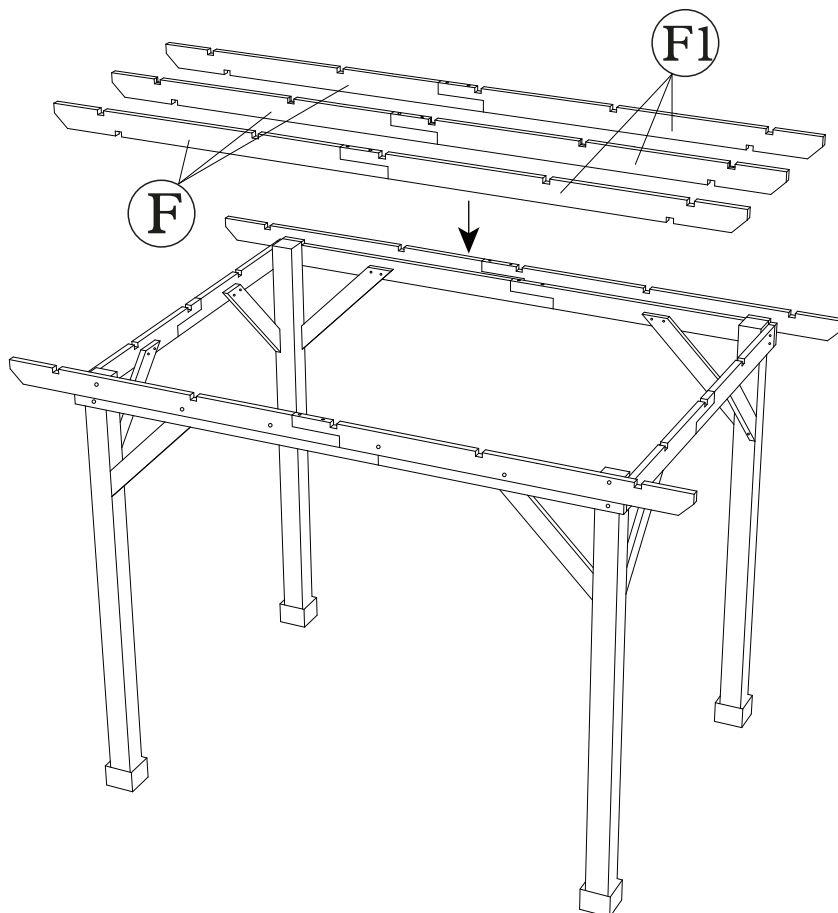
1 x 6  
M8\*130

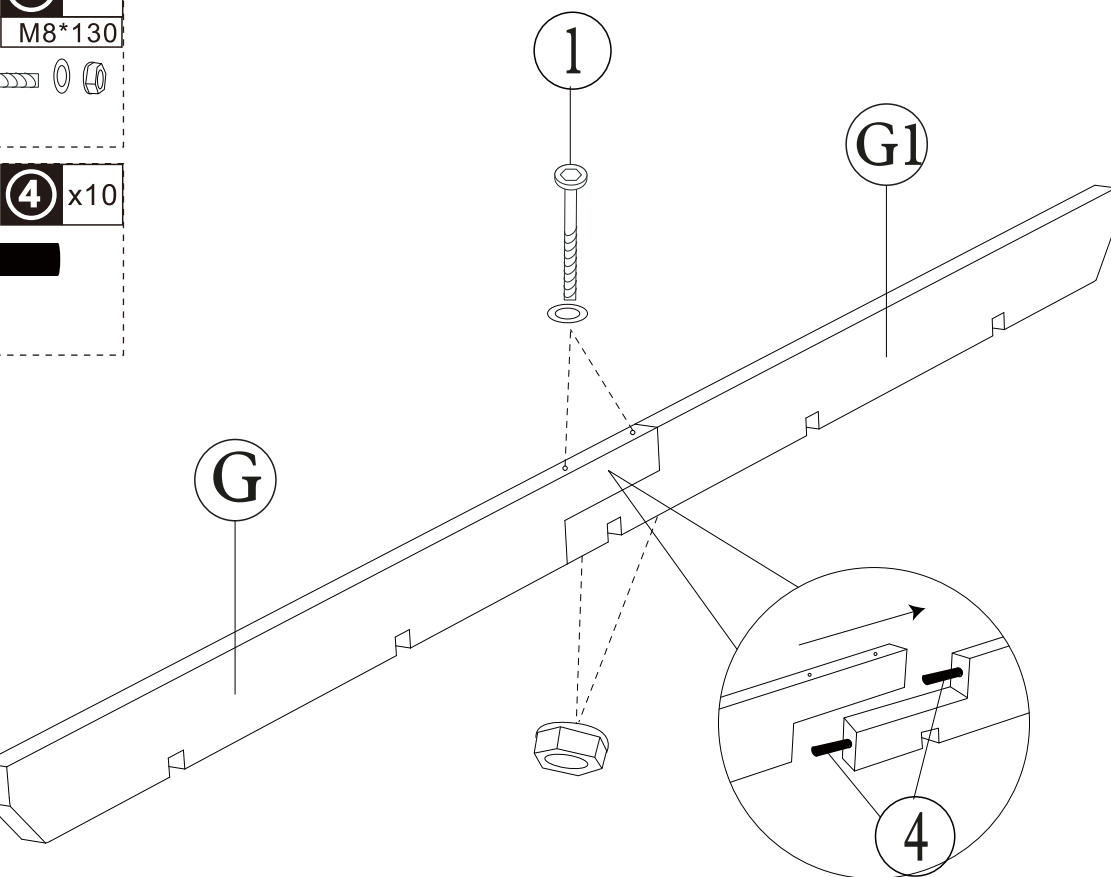
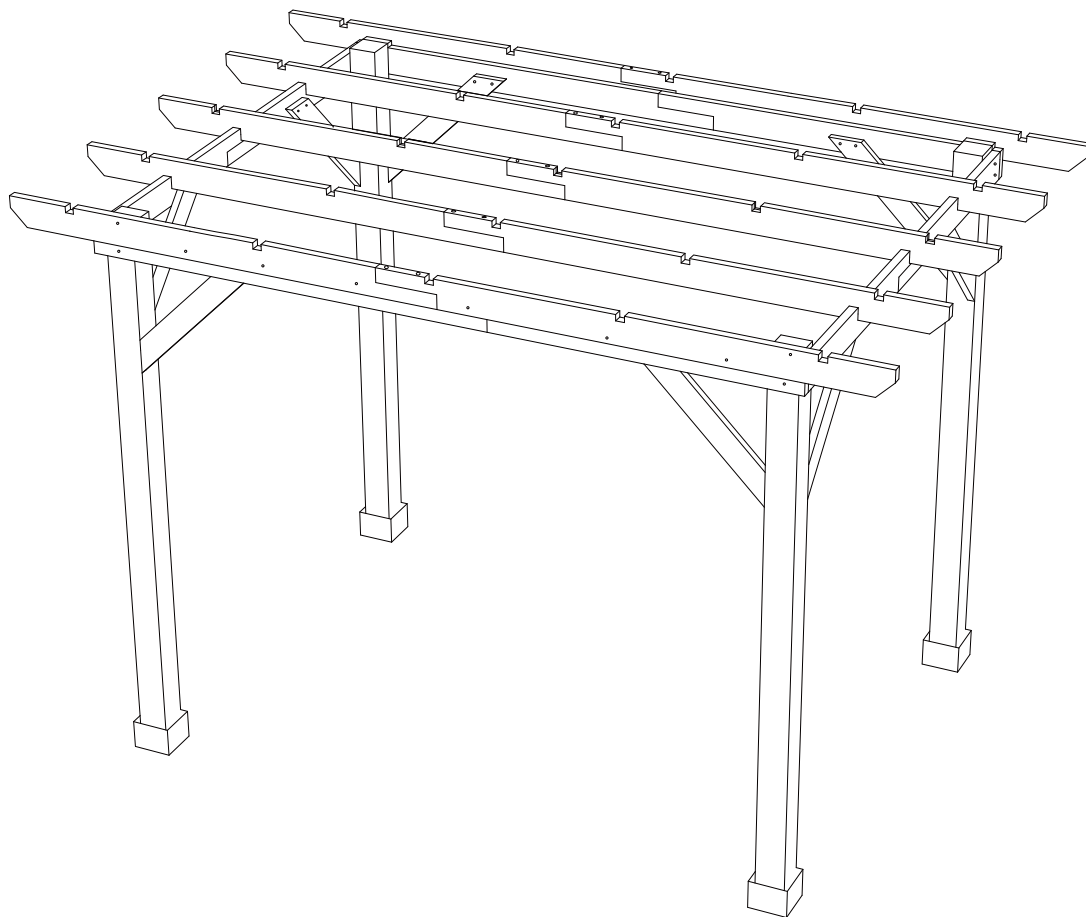


4 x 6



x3





**1** x10  
M8\*130



**4** x10



x5

