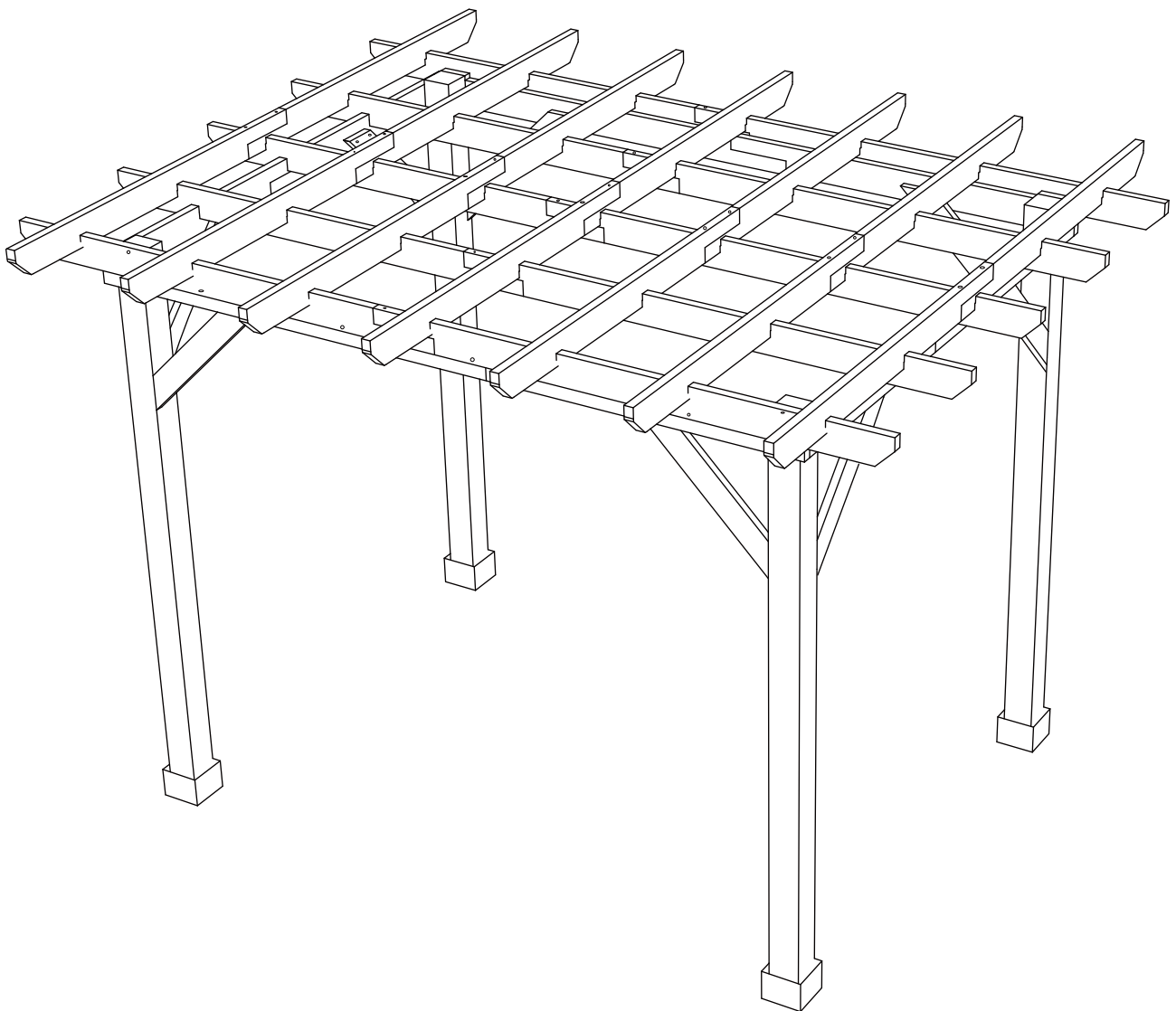




INbac013\_GL

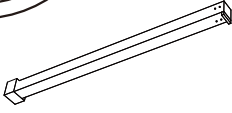
**84C-284V01**



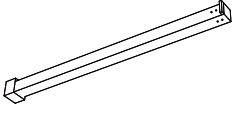
**IMPORTANT, RETAIN FOR FUTURE REFERENCE: READ CAREFULLY**

# ASSEMBLY & INSTRUCTION MANUAL


**BOX 1-4** **A** x 2




**A1** x 2




**BOX 2-4** **E** x 2




**E1** x 2



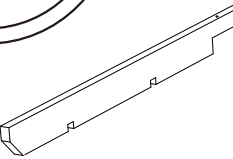
**F** x 3



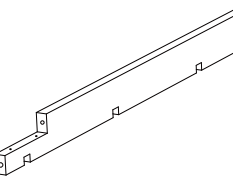
**F1** x 3



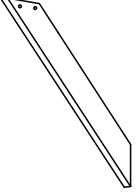
**BOX 3-4** **G** x 7



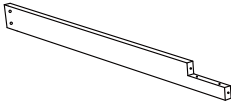
**G1** x 7



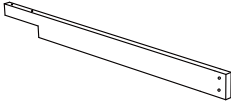
**BOX 4-4** **B** x 8



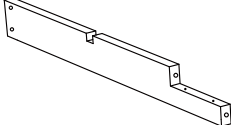
**C** x 2



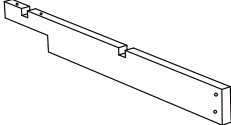
**C1** x 2




**D** x 2

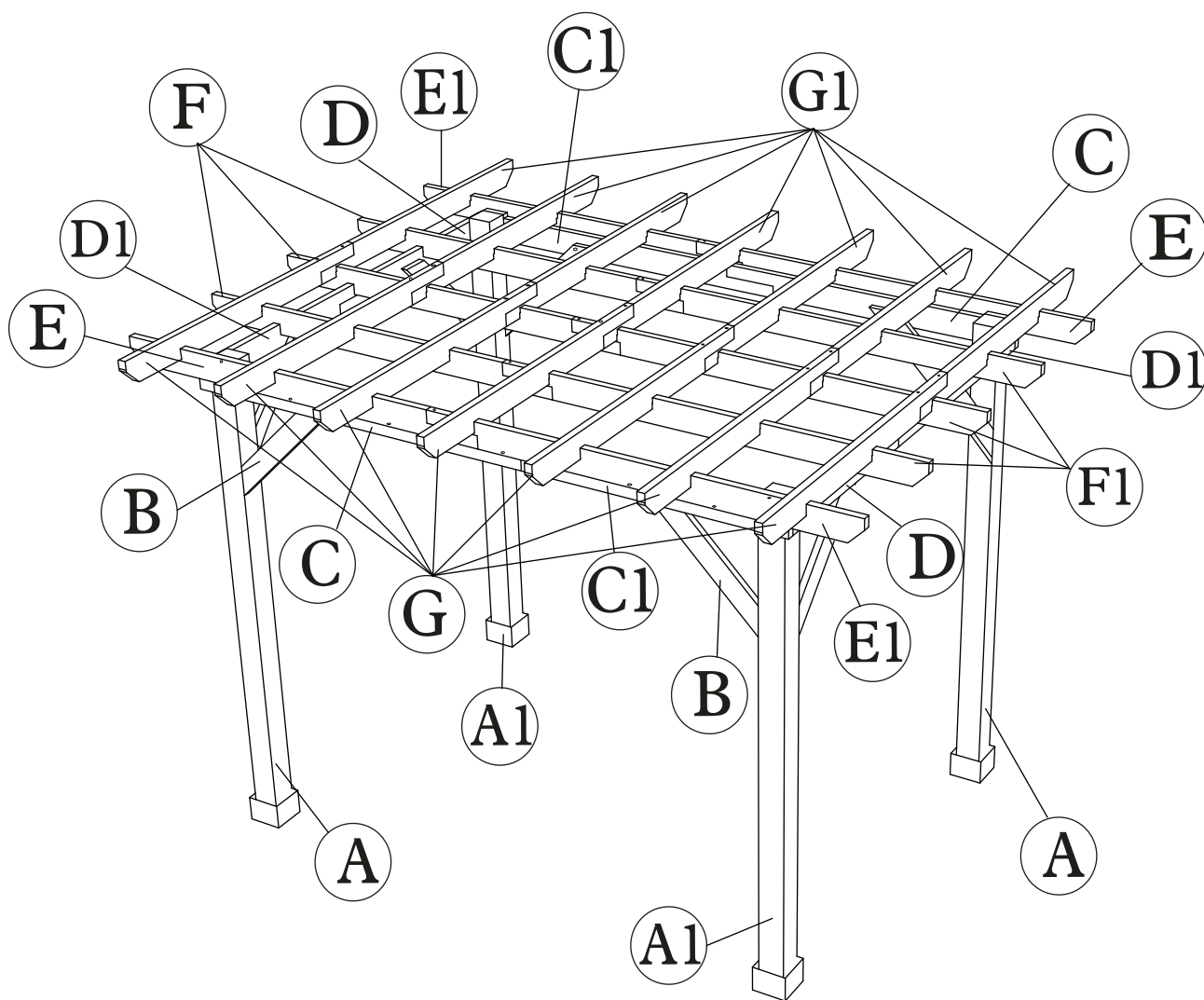


**D1** x 2

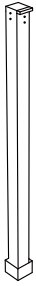


**Hardware Kit**





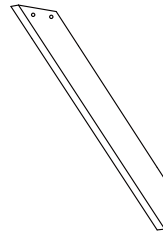
**A** x 2



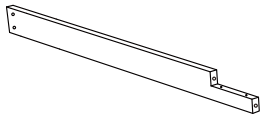
**A1** x 2



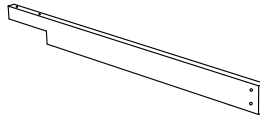
**B** x 8



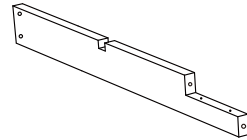
**C** x 2



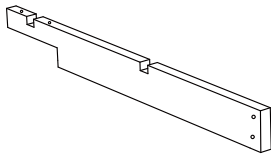
**C1** x 2



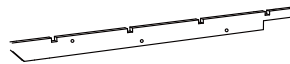
**D** x 2



**D1** x 2



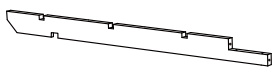
**E** x 2



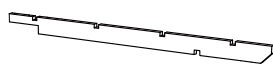
**E1** x 2



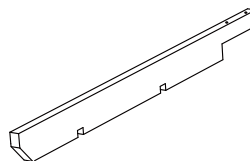
**F** x 3



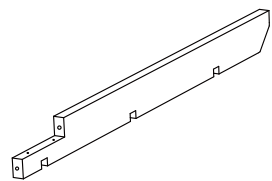
**F1** x 3



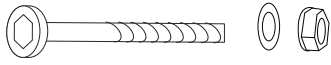
**G** x 7



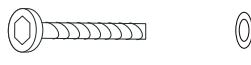
**G1** x 7



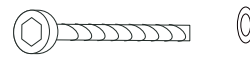
**1** x 32  
M8\*130  
+2(spare)



**2** x 44  
M8\*45  
+2(spare)



**3** x 8  
M8\*55  
+1(spare)



**4** x 32



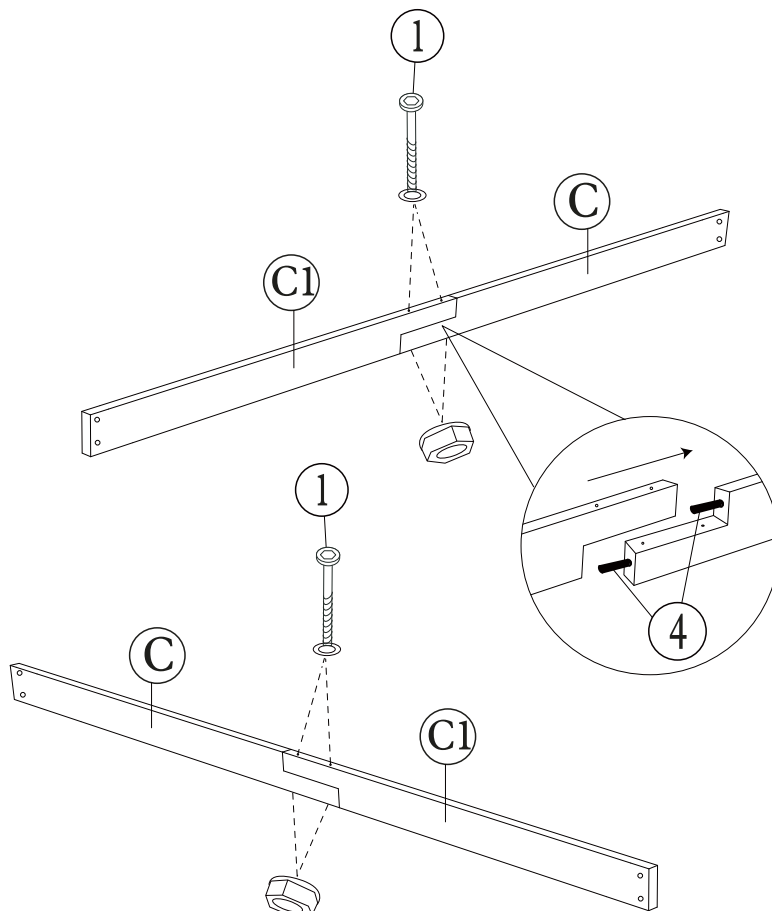
**5** x 1



**1** x 4  
M8\*130



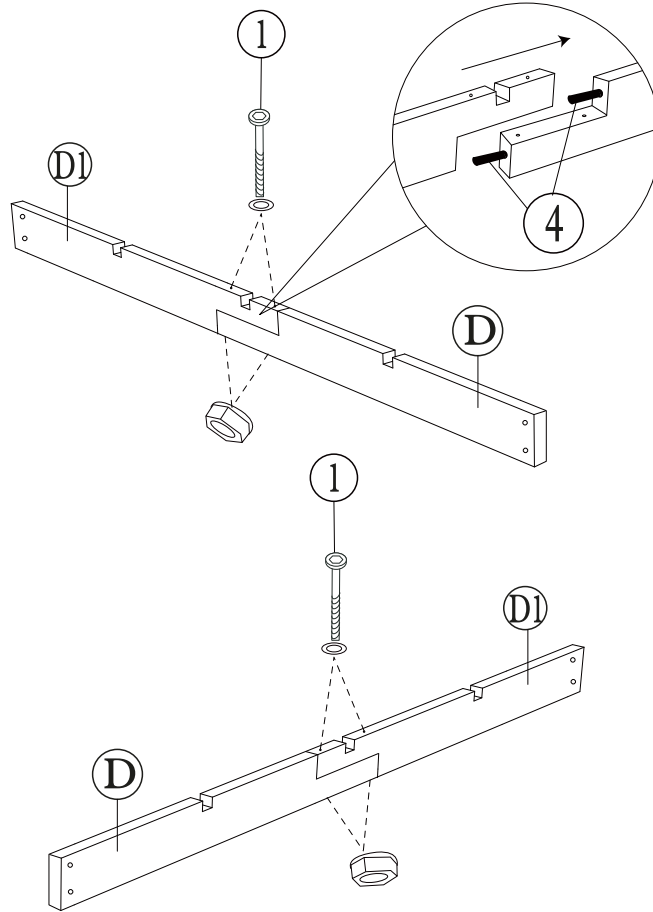
**4** x 4



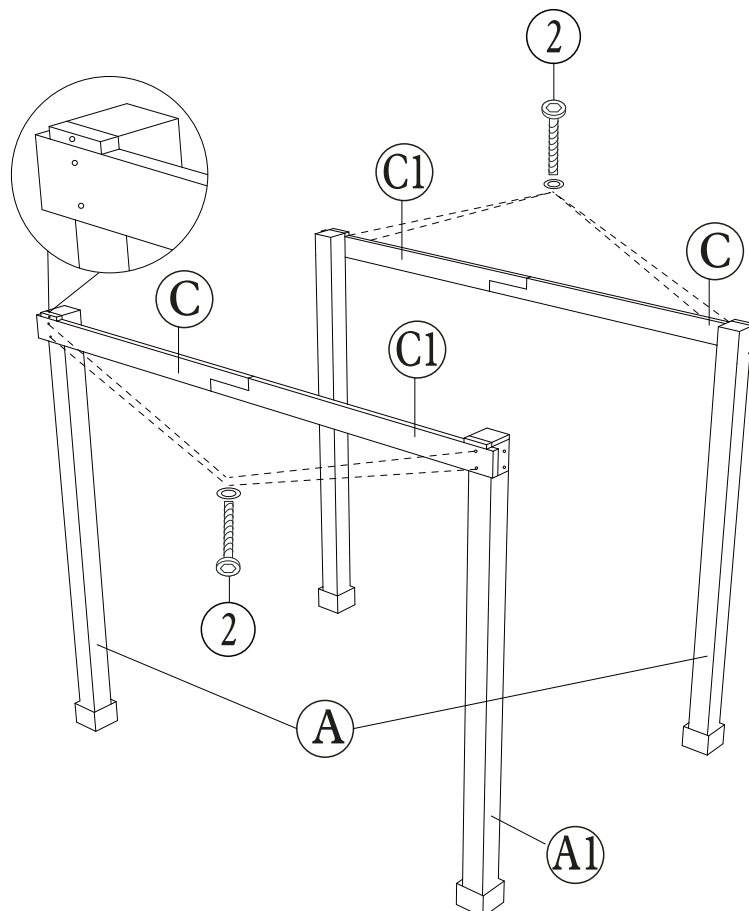
1 x 4  
M8\*130



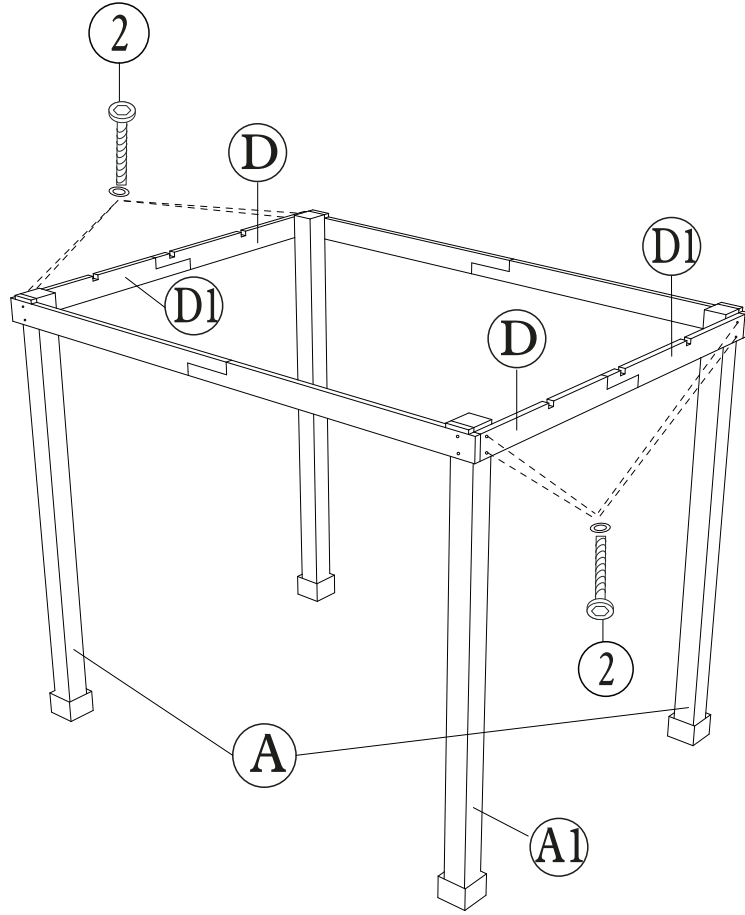
4 x 4



2 x 8  
M8\*45



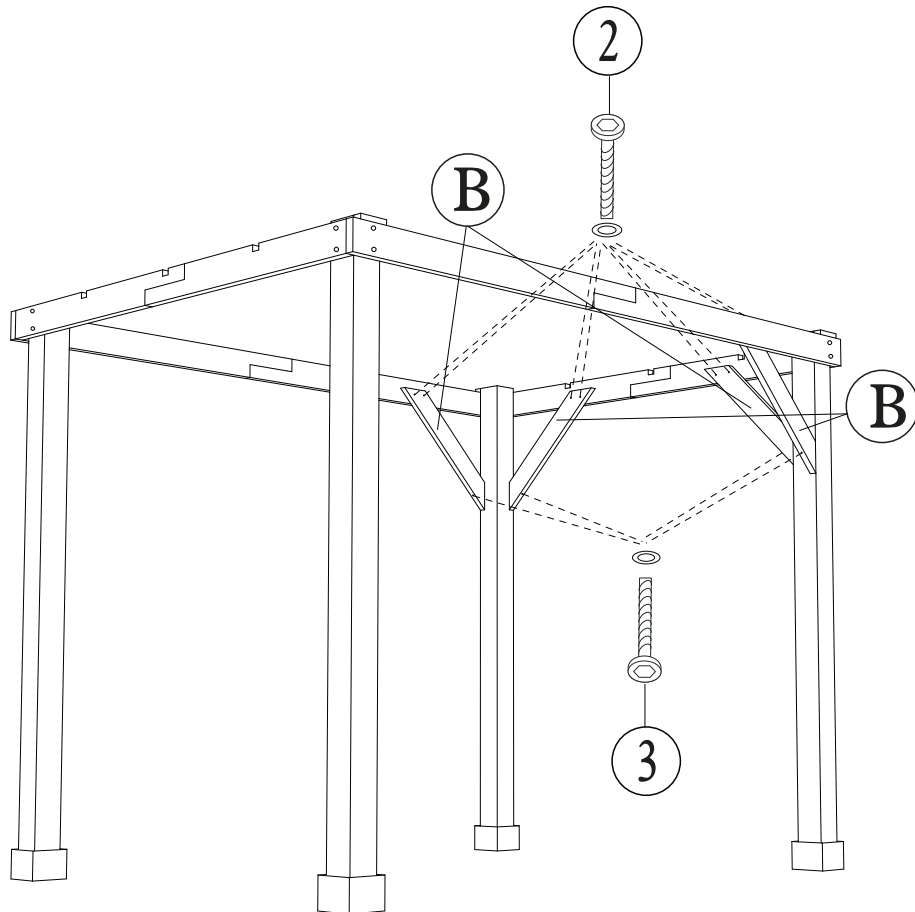
2 x 8  
M8\*45



2 x 8  
M8\*45



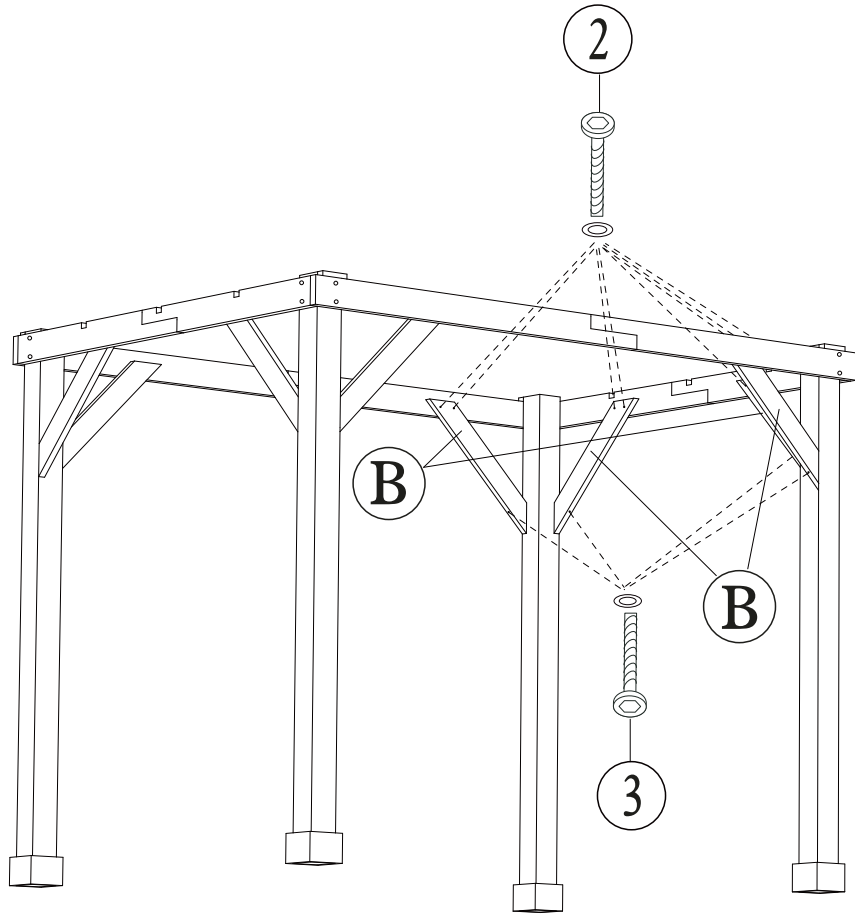
3 x 4  
M8\*55



**2** x 8  
M8\*45



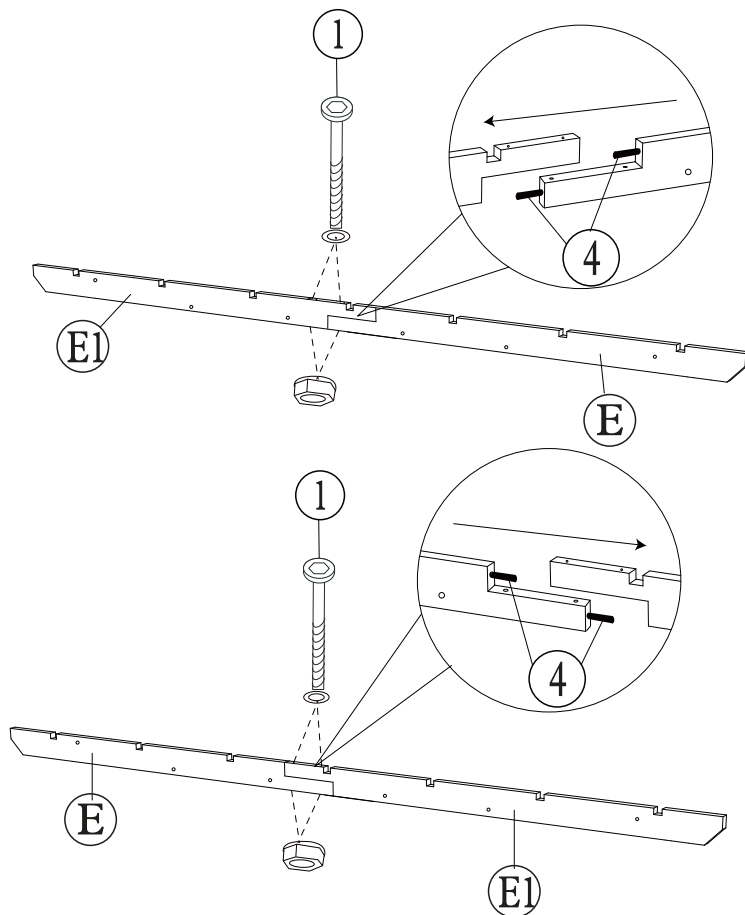
**3** x 4  
M8\*55



**1** x 4  
M8\*130

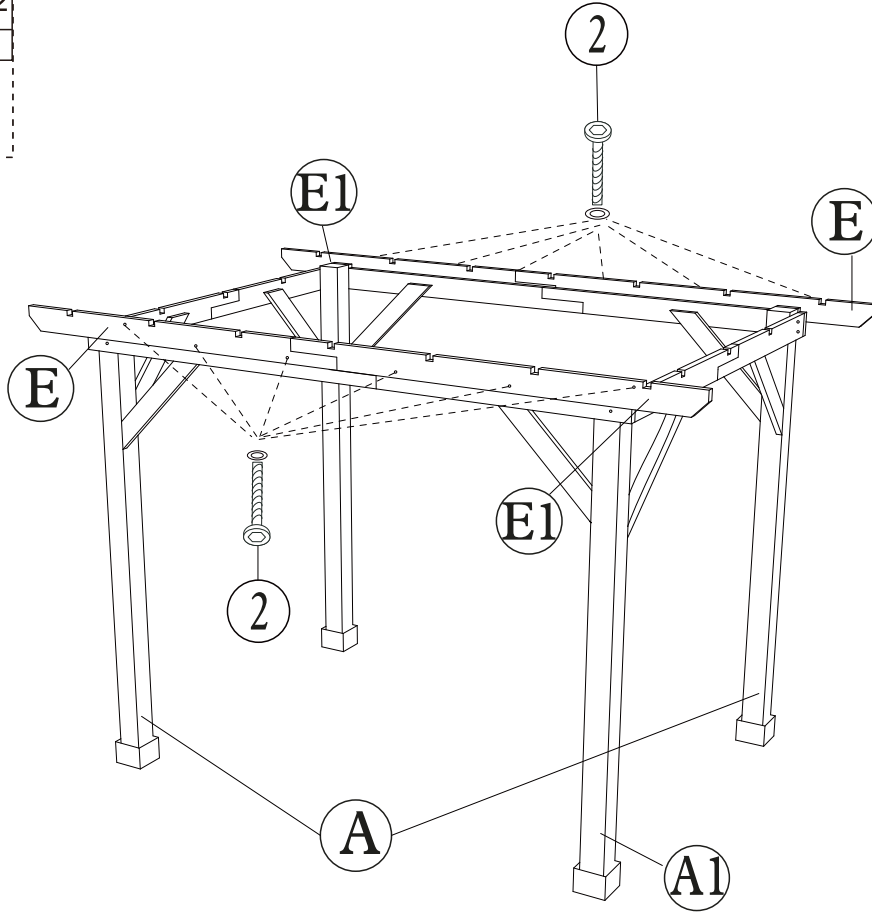


**4** x 4





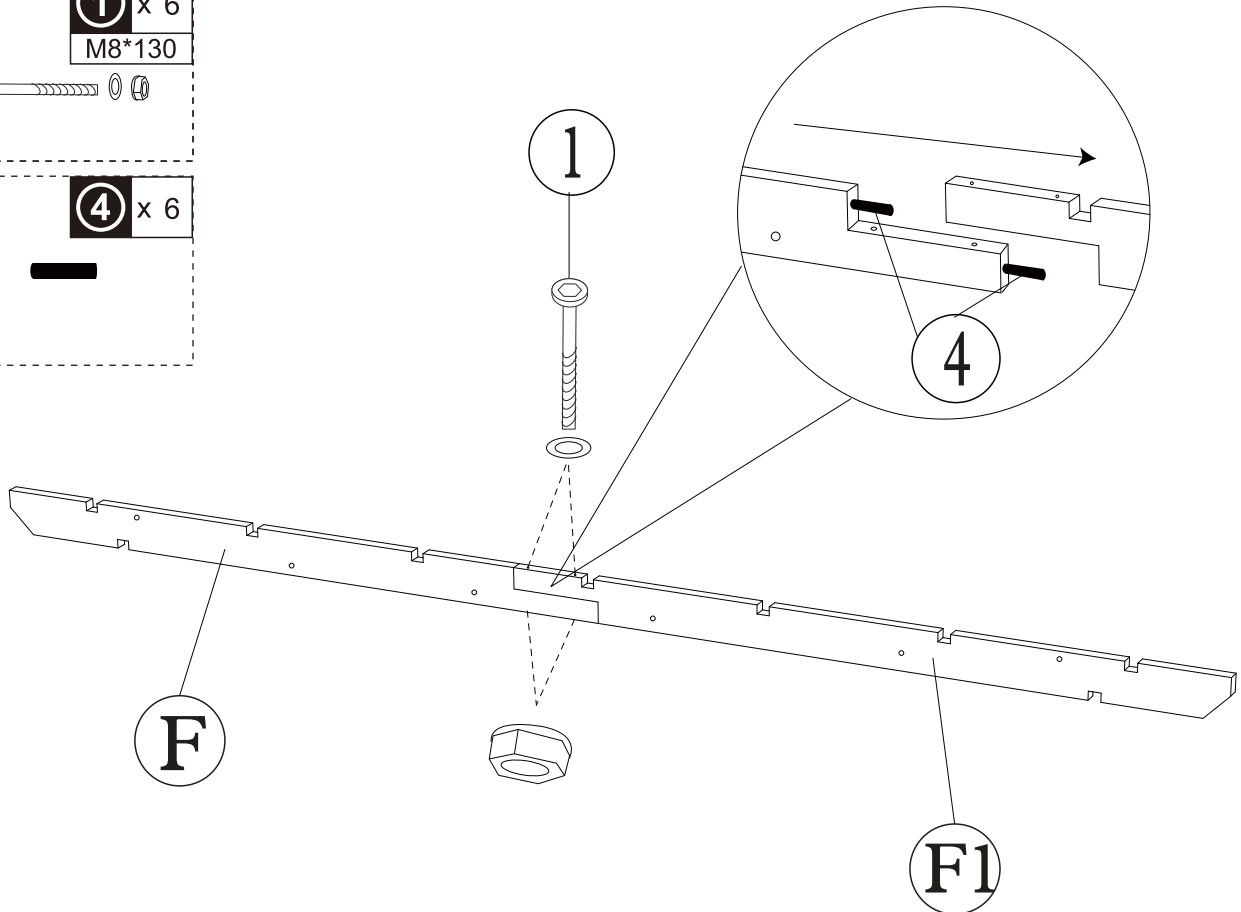
2 x 12  
M8\*45



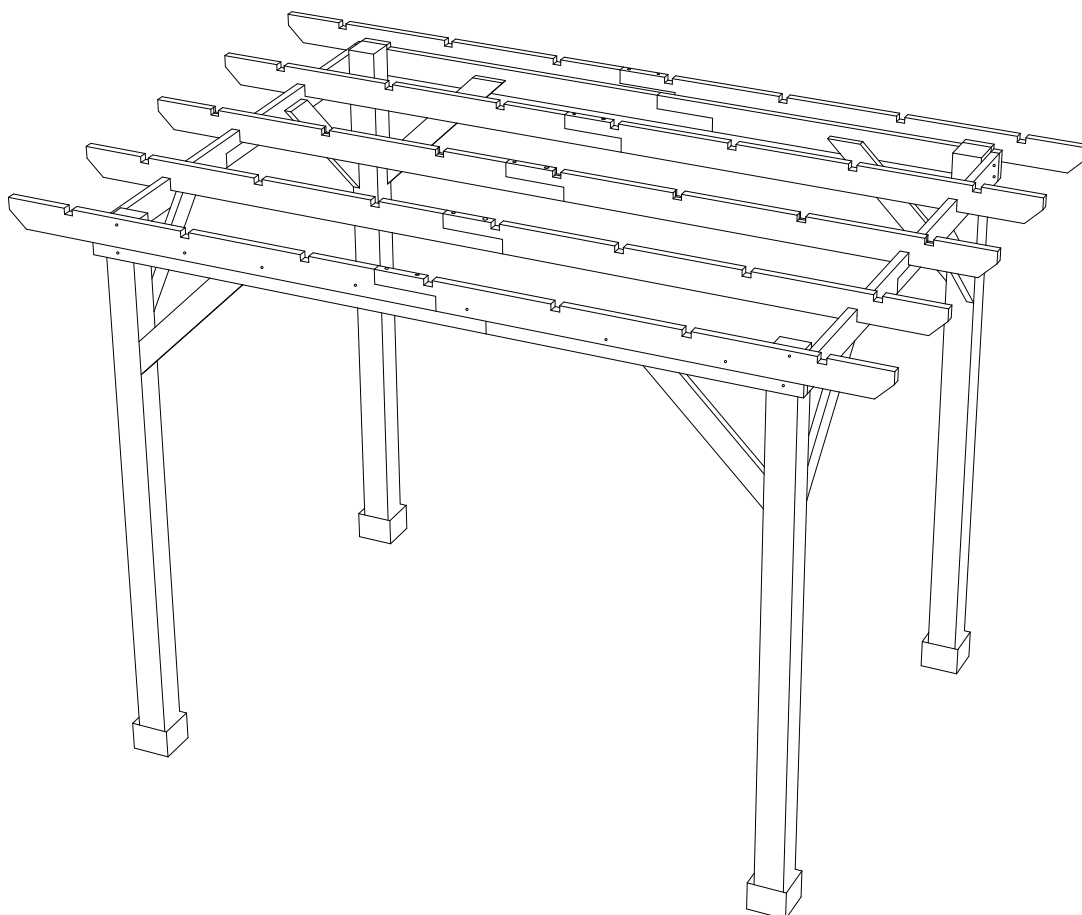
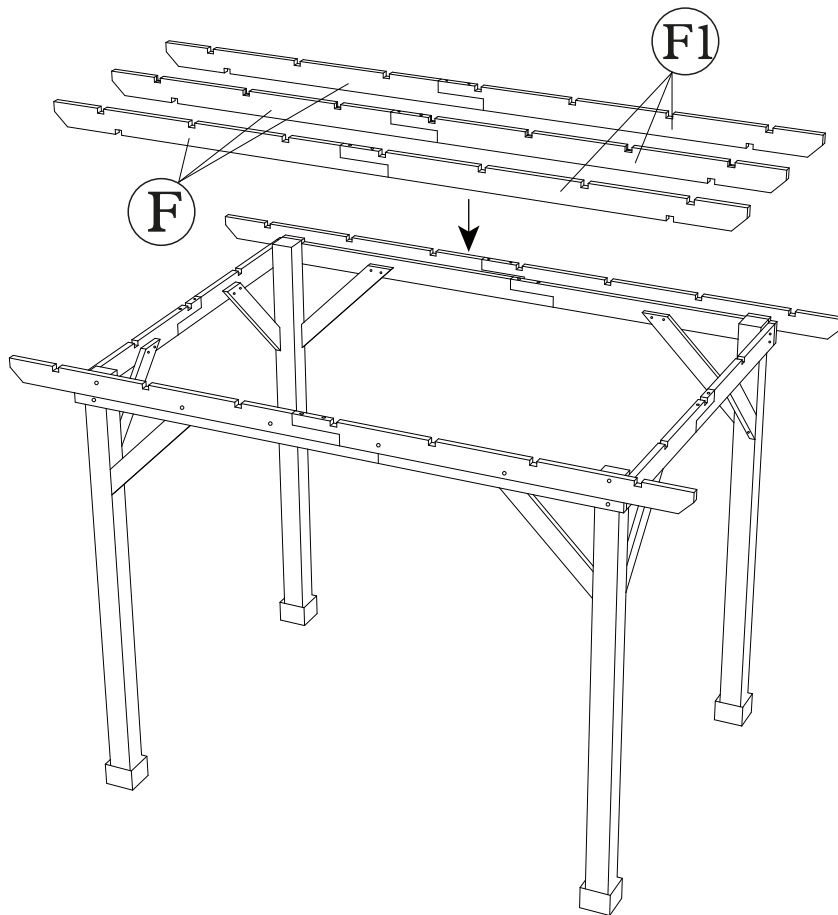
1 x 6  
M8\*130



4 x 6



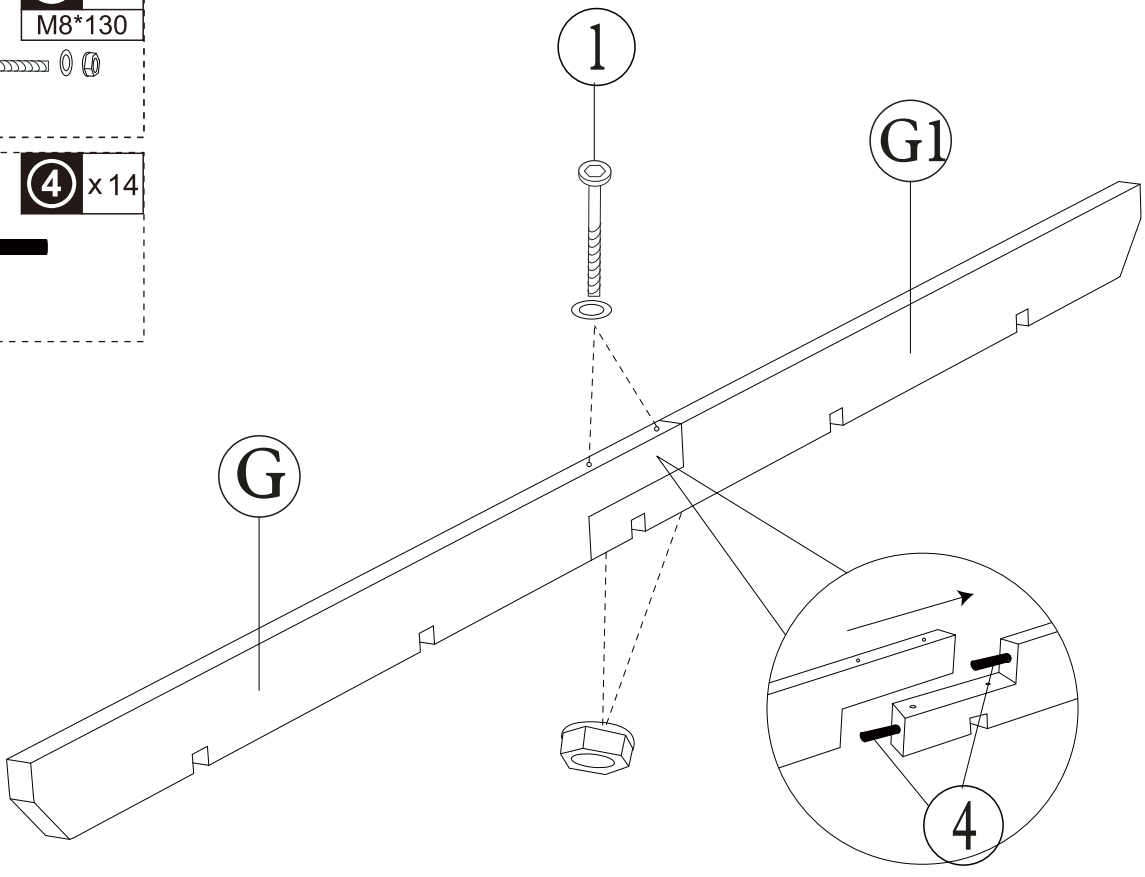
x3



1 x 14  
M8\*130



4 x 14



x7

