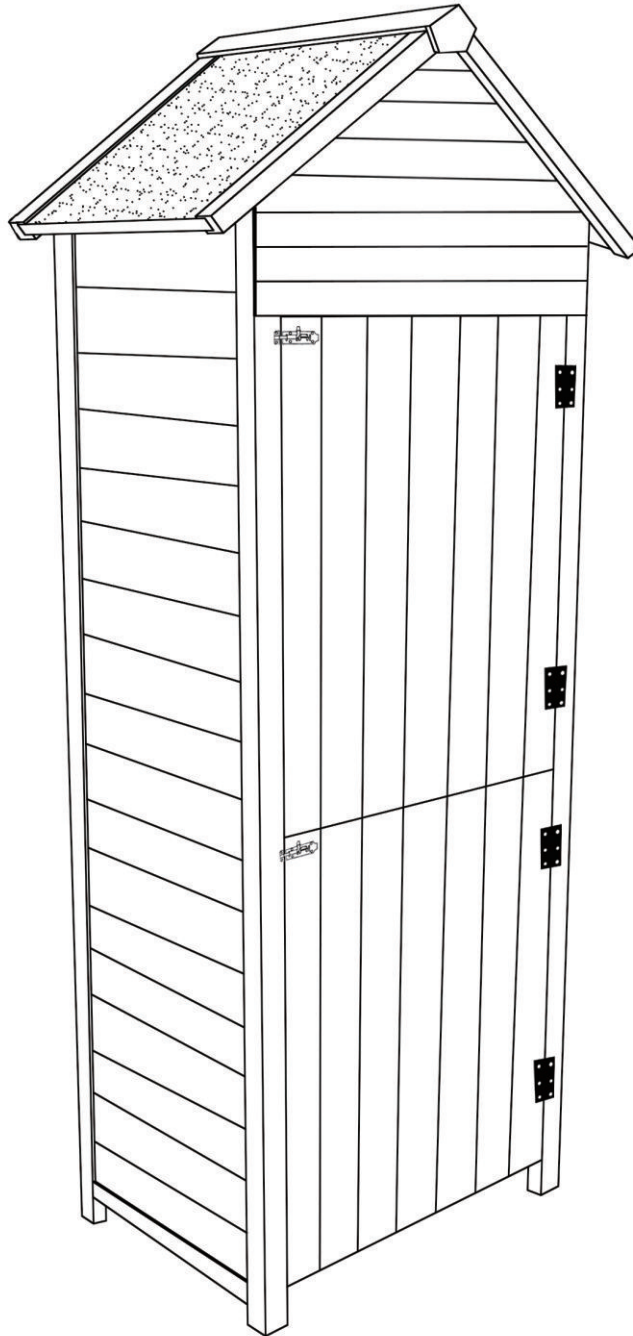




INbca001V02\_GL

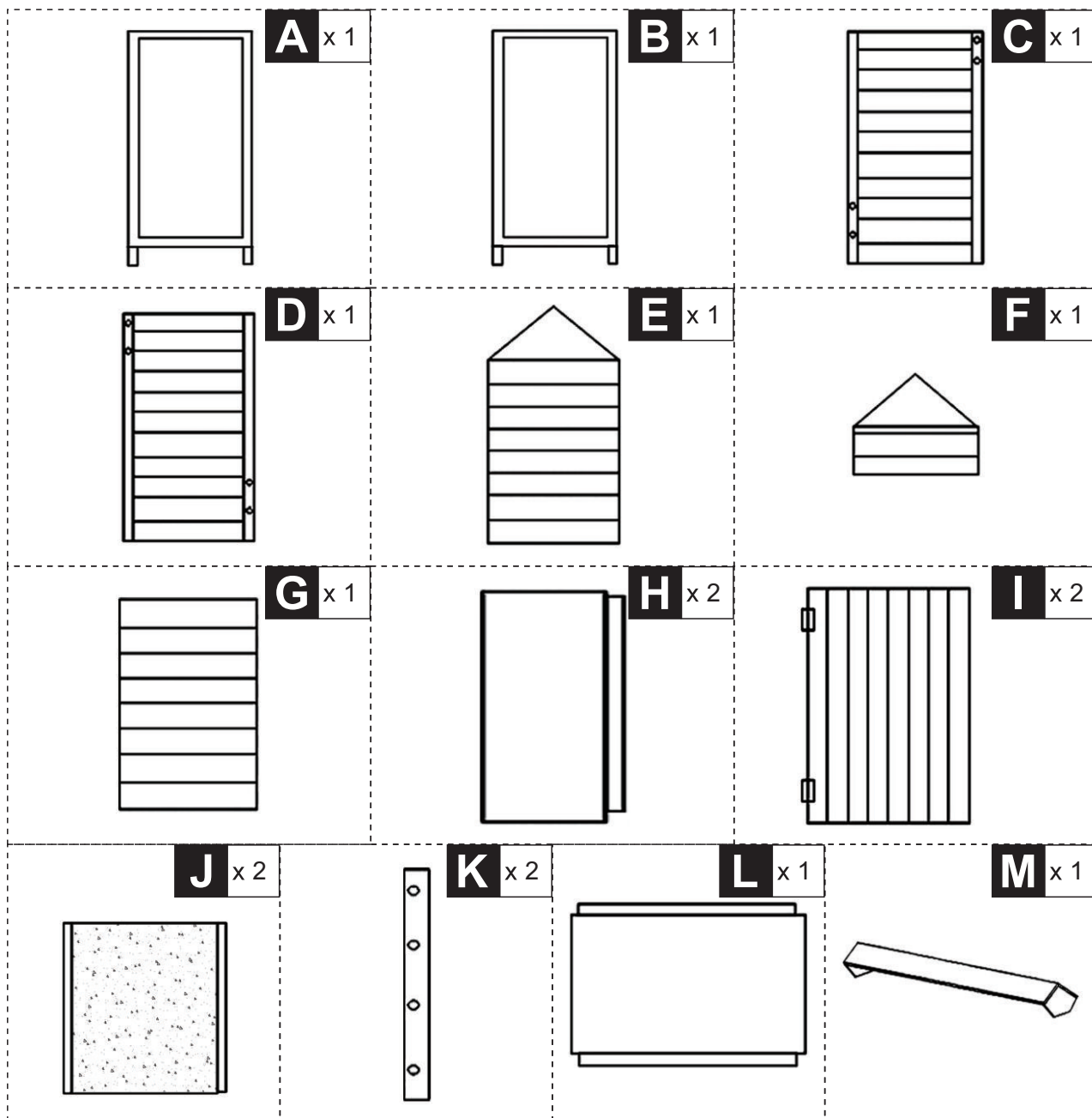
**01-0053**



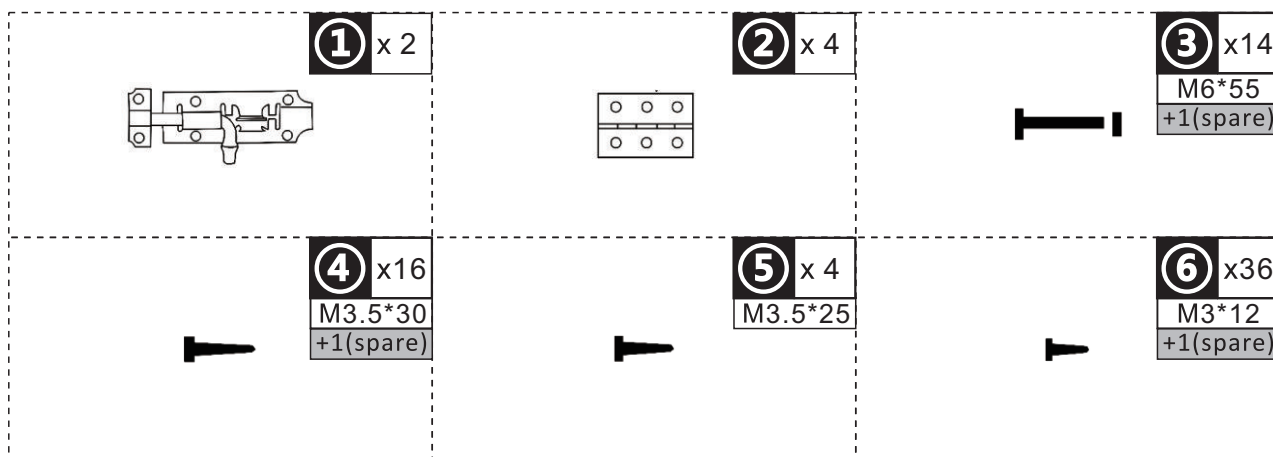
**IMPORTANT, RETAIN FOR FUTURE REFERENCE: READ CAREFULLY**

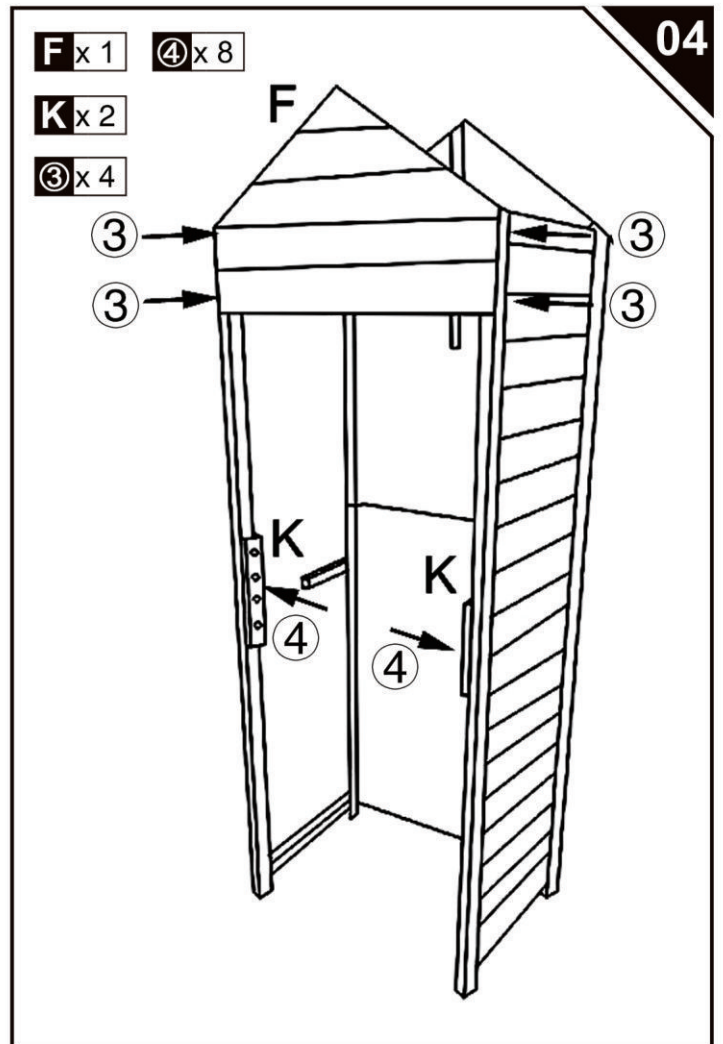
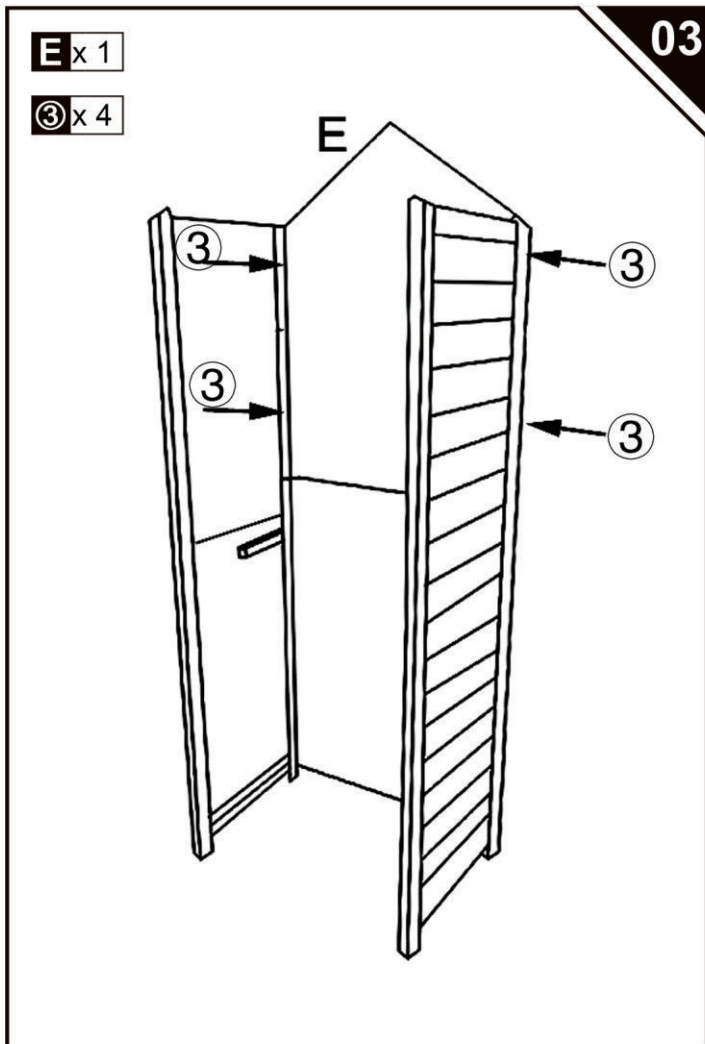
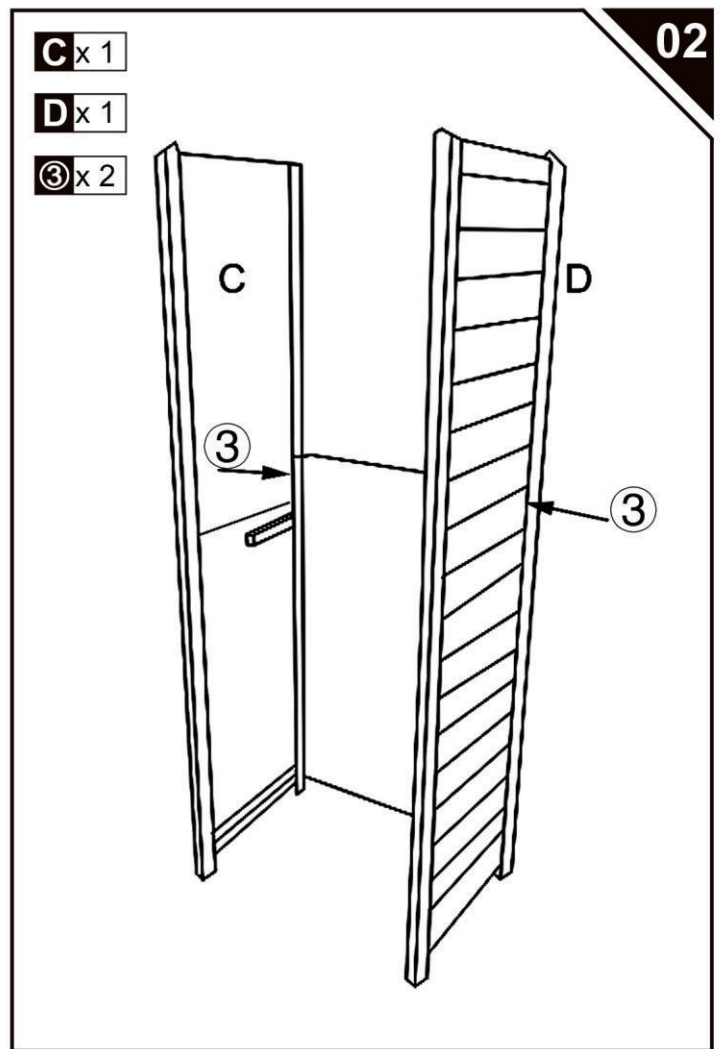
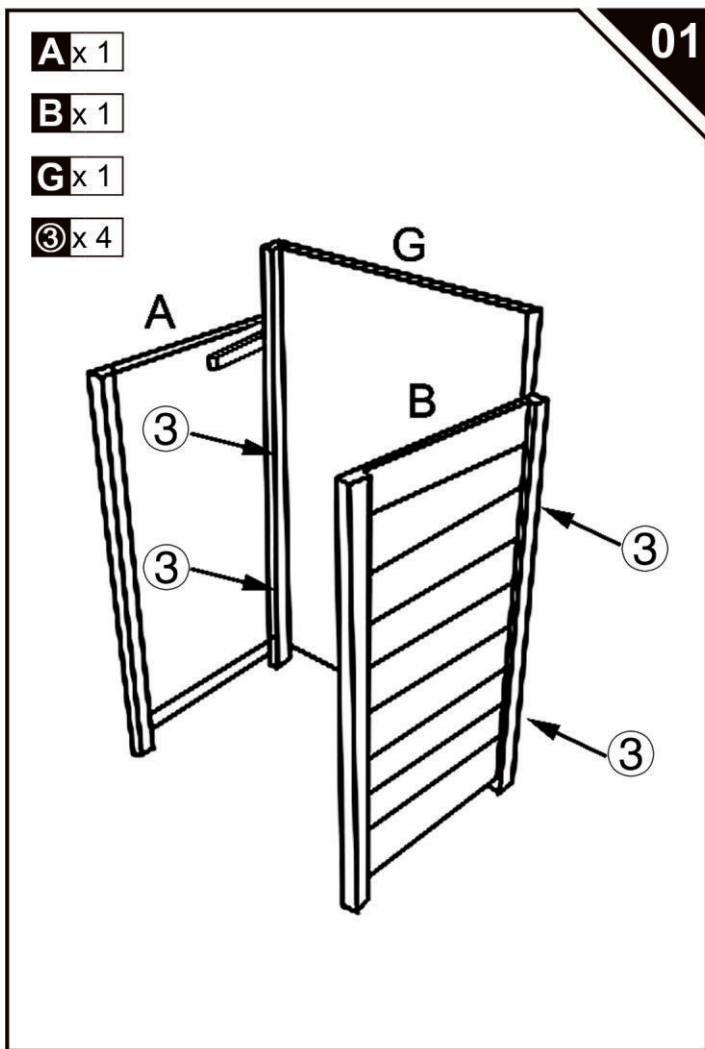
# ASSEMBLY & INSTRUCTION MANUAL

**PARTS**



**HARDWARE**

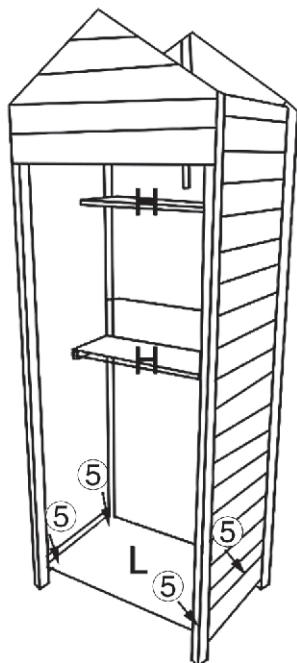




**H** x 2

**L** x 1

**5** x 4

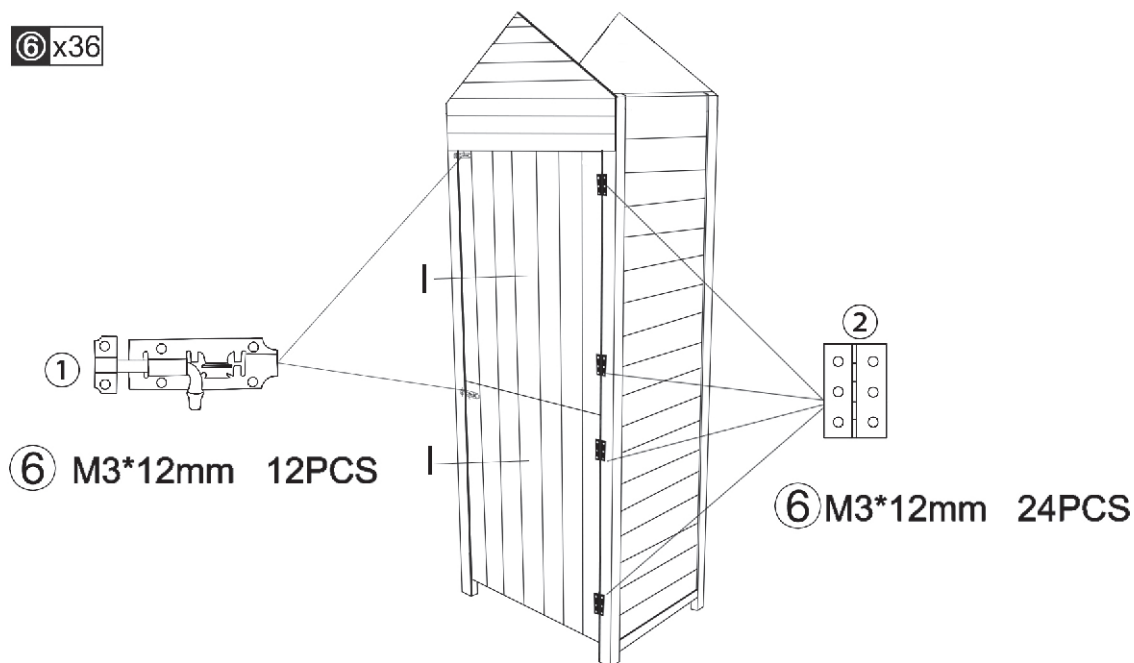


**I** x 2

**6** x 36

**1** x 2

**2** x 4



**J** x 2

**M** x 1

**4** x 8

