

- A1 M6*55mm 2pcs
- a M6*50mm 18pcs
- c M4*25mm 24pcs
- d M3*20mm 12pcs
- e M2.5*10mm 12pcs



A 1PC



B 1PC



C 1PC



D 1PC



E 1PC



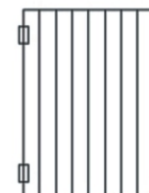
F 1PC



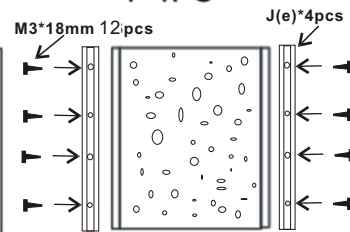
G 1PC



S 3PCS



I 2PCS



J 2PCS



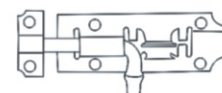
K 2PCS



L 1PC

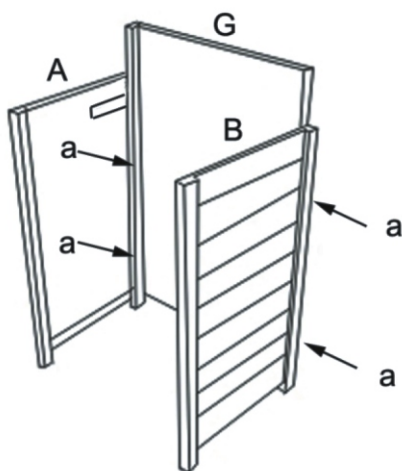


M 1PC

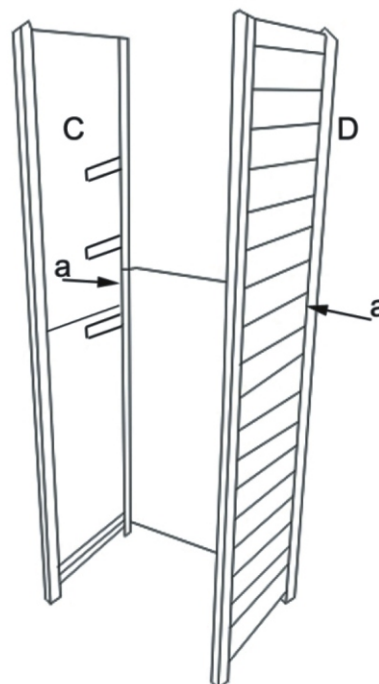


R 2PCS

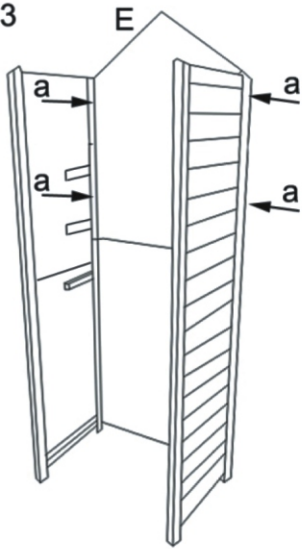
STEP 1



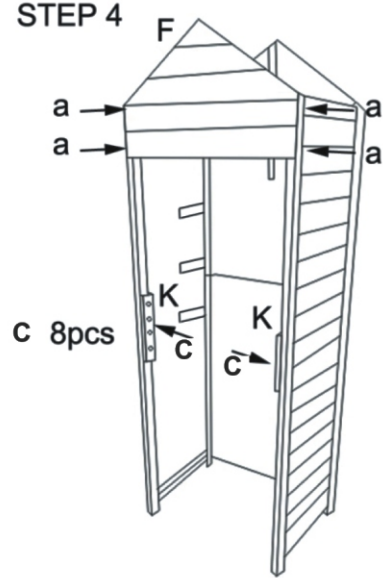
STEP 2



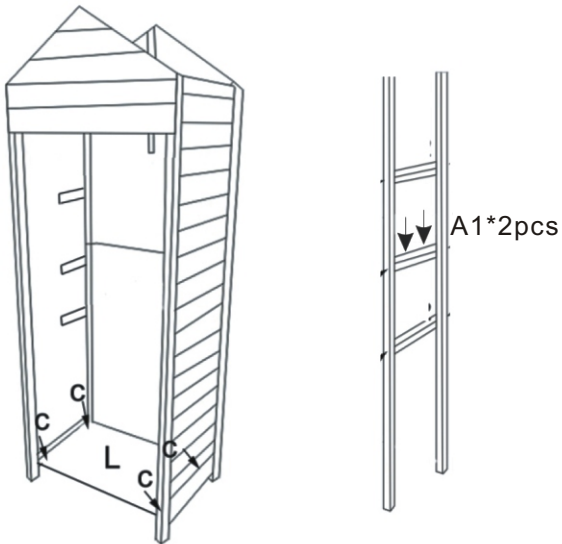
STEP 3



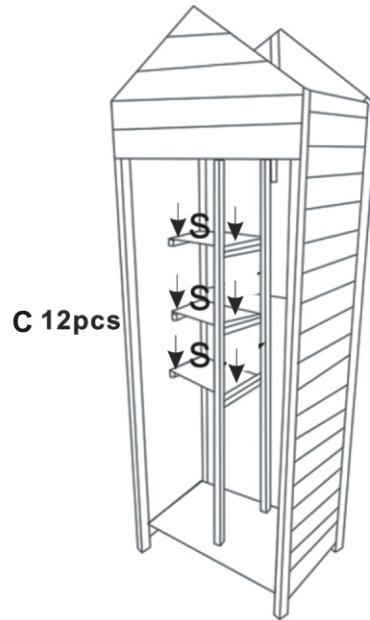
STEP 4



STEP 5



STEP 6



STEP 7

