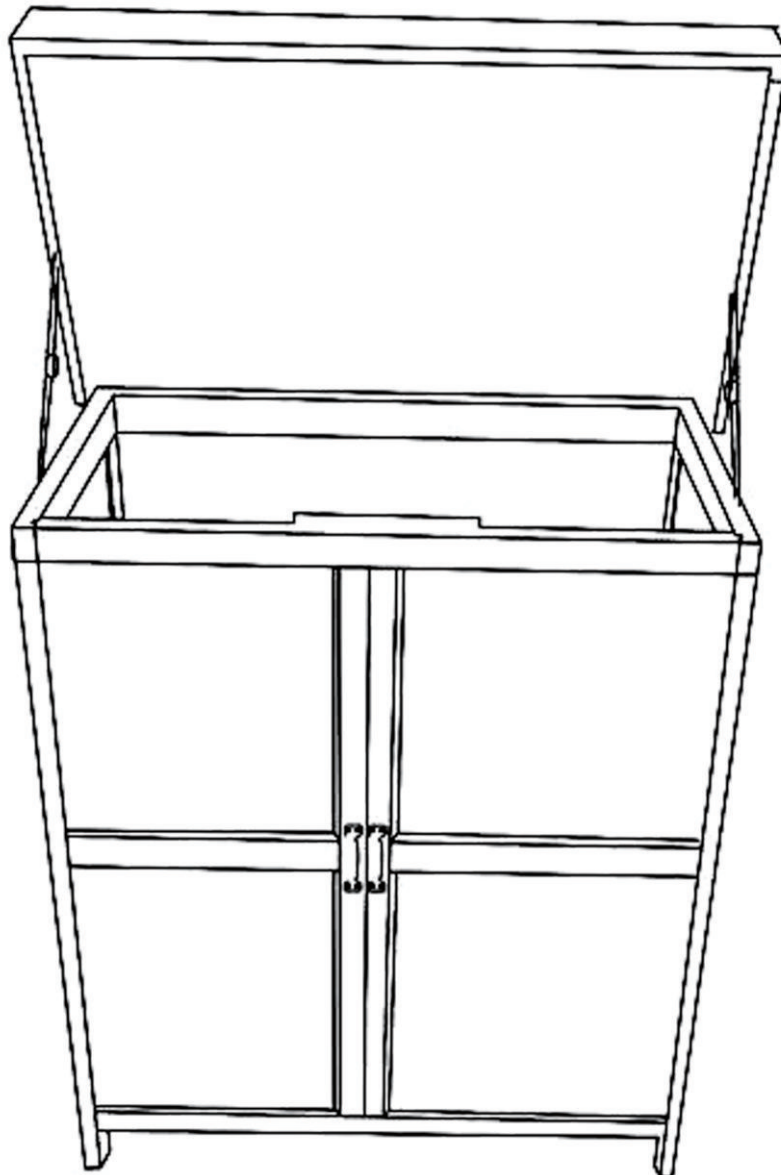




INbca013V02\_GL

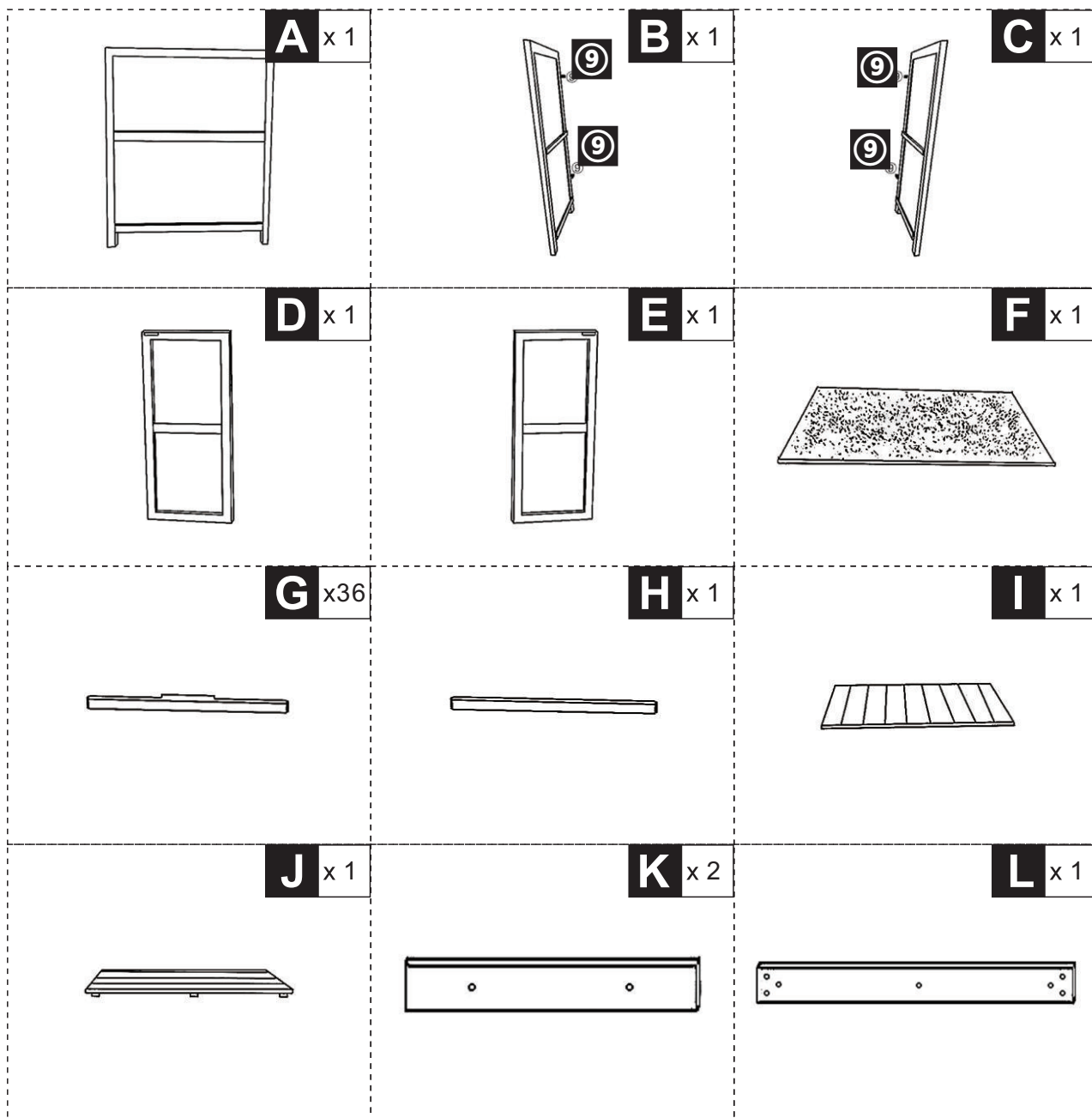
**845-212**



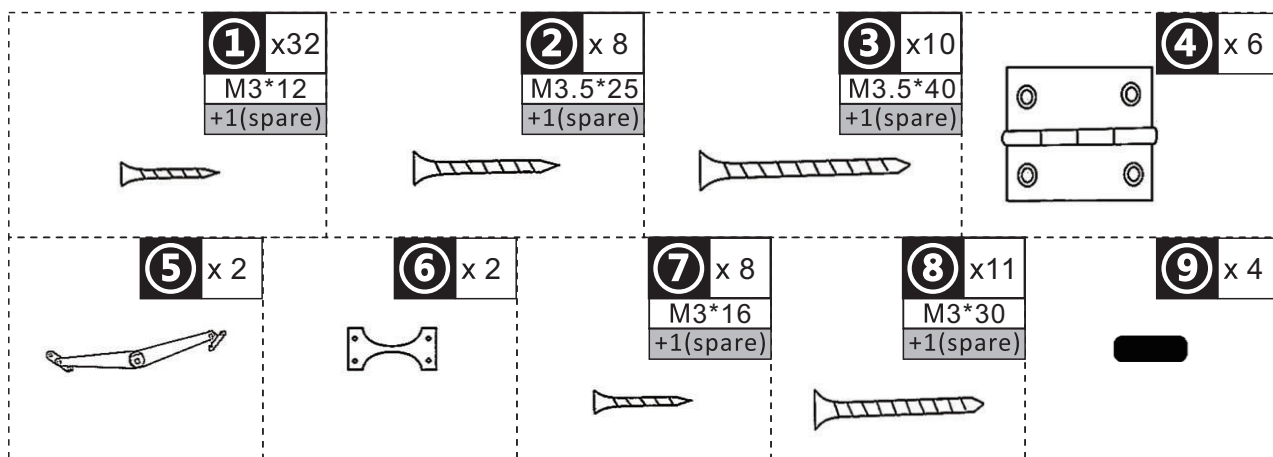
IMPORTANT, RETAIN FOR FUTURE REFERENCE: READ CAREFULLY

**ASSEMBLY & INSTRUCTION MANUAL**

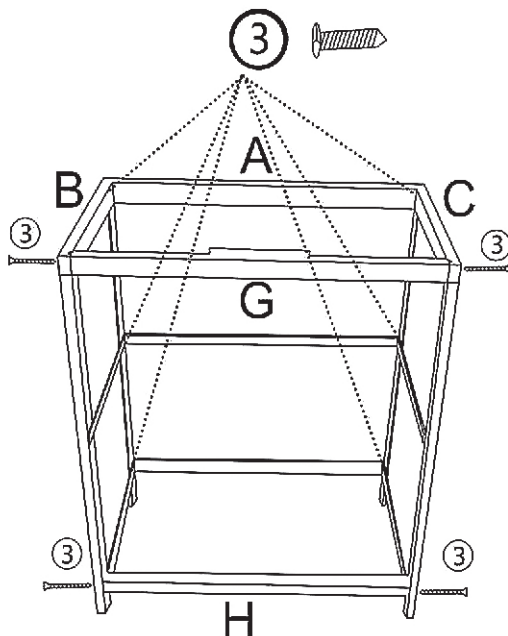
**PARTS**



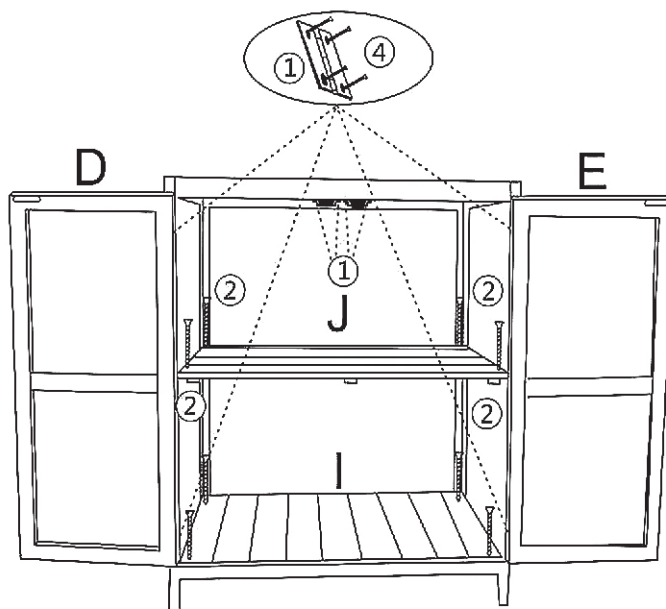
**HARDWARE**



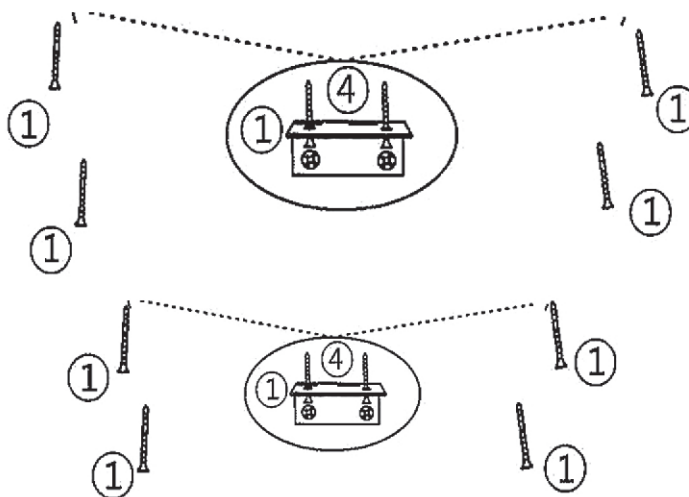
- A** x 1
- B** x 1
- C** x 1
- G** x 1
- H** x 1
- ③ x 10



- D** x 1
- E** x 1
- I** x 1
- J** x 1
- ① x 20
- ② x 8
- ④ x 4



- ① x 8
- ④ x 2

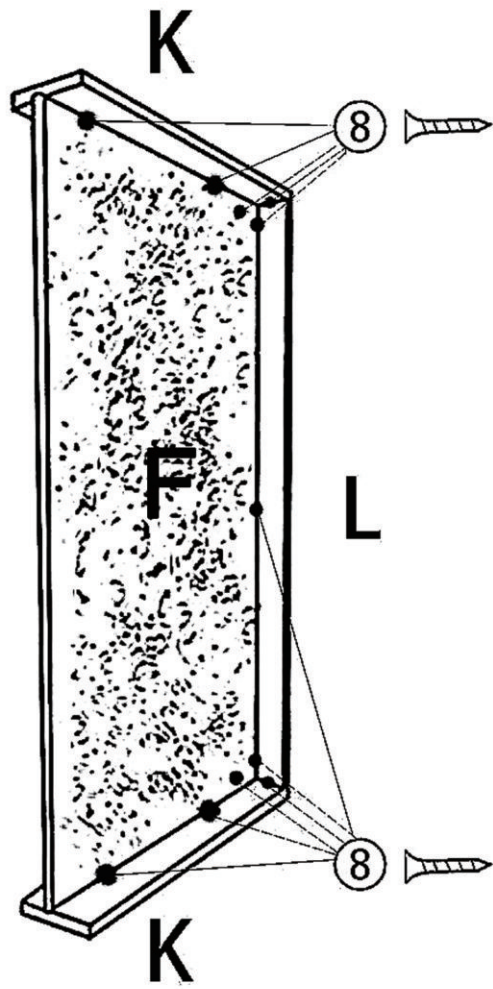


F x 1

K x 2

L x 1

⑧ x 11



① x 4

⑤ x 2

⑥ x 2

⑦ x 8

