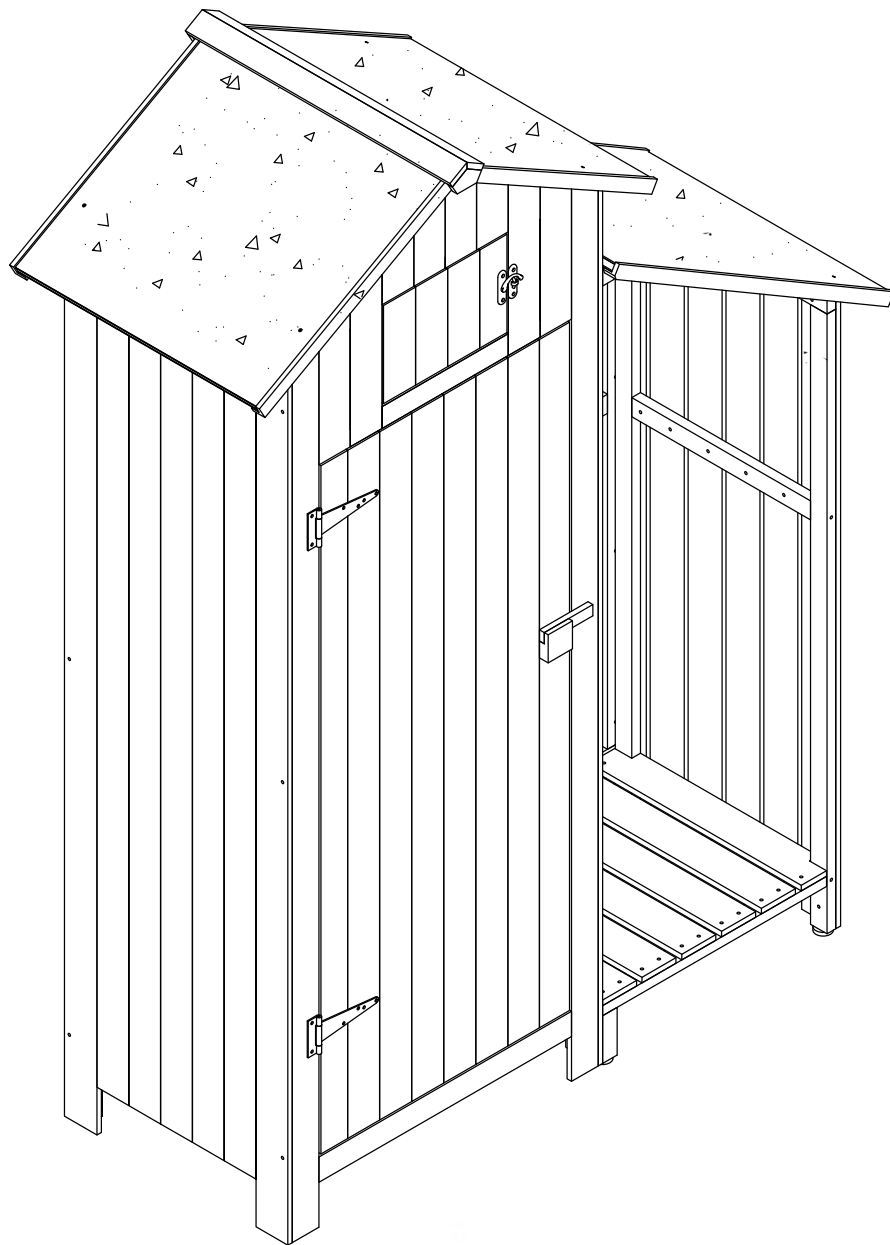




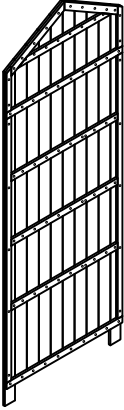
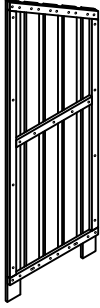
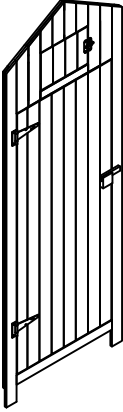
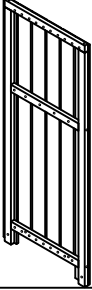



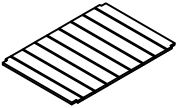
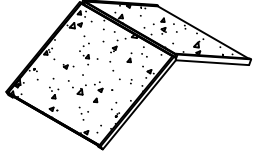
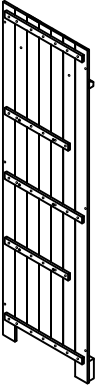
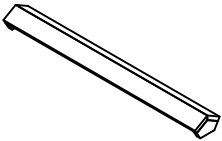
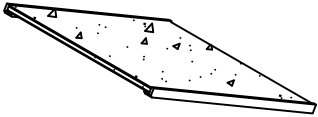

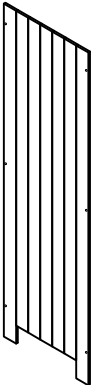






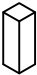
845-323



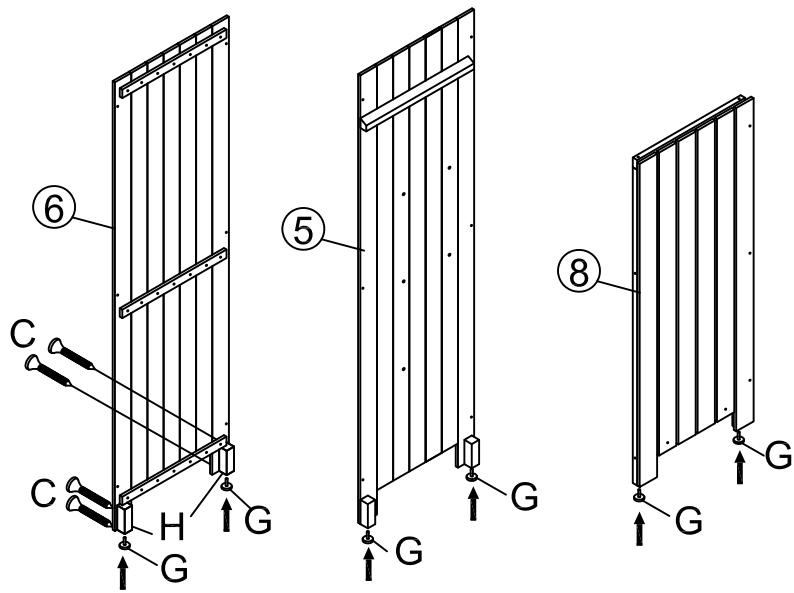
Please read these instructions and warranty information carefully before use and keep them properly for future reference.

OPERATING INSTRUCTIONS

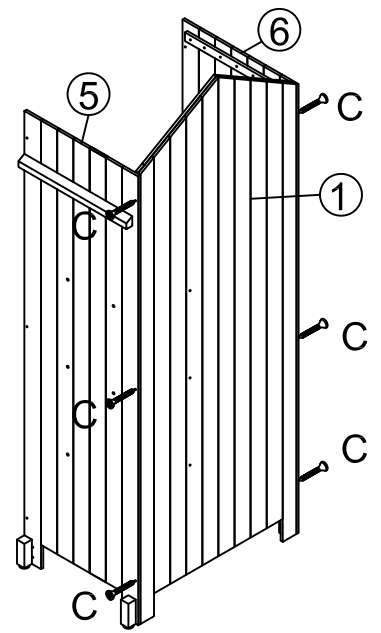
Part List

1		1PC	7		1PC
2		1PC	8		1PC
			9		3PCS
3		2PCS	10		1PC
4		1PC	11		2PCS
5		1PC	12		1PC
			13		1PC
			A	 3.5*50	6PCS
6		1PC	B	 3.5*35	12PCS
			C	 3.5*30	19PCS
			D	 3*16	6PCS
			E	 \varnothing 6*50	9PCS
			F		3PCS
			G		6PCS
			H		2PCS

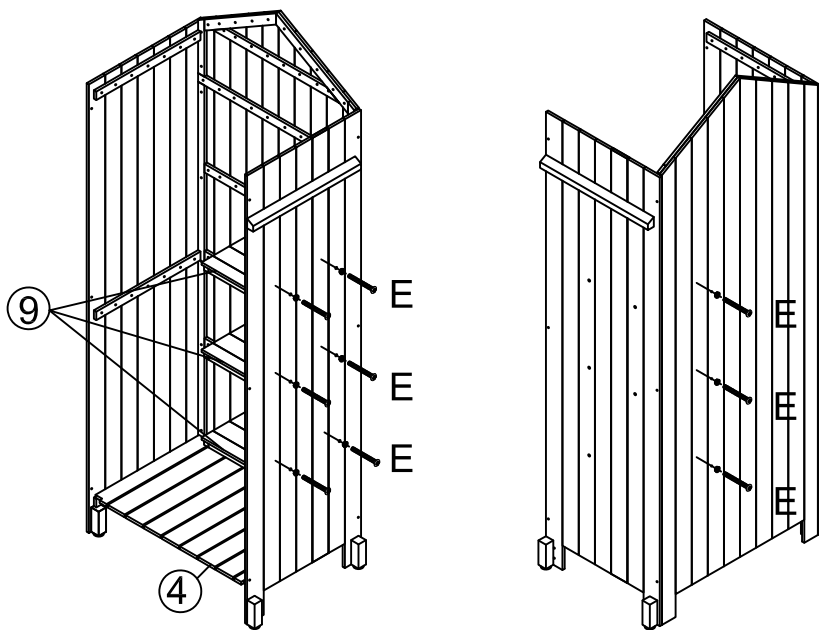
1



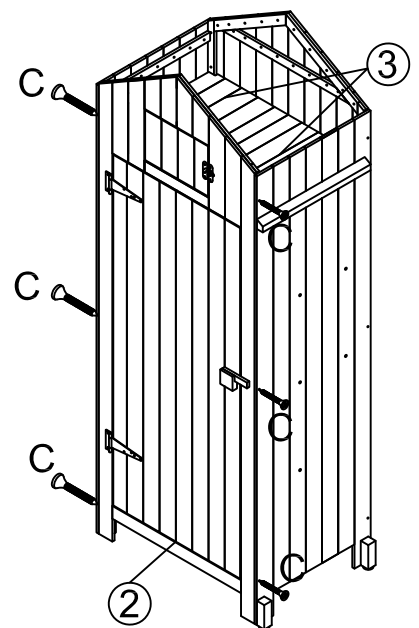
2



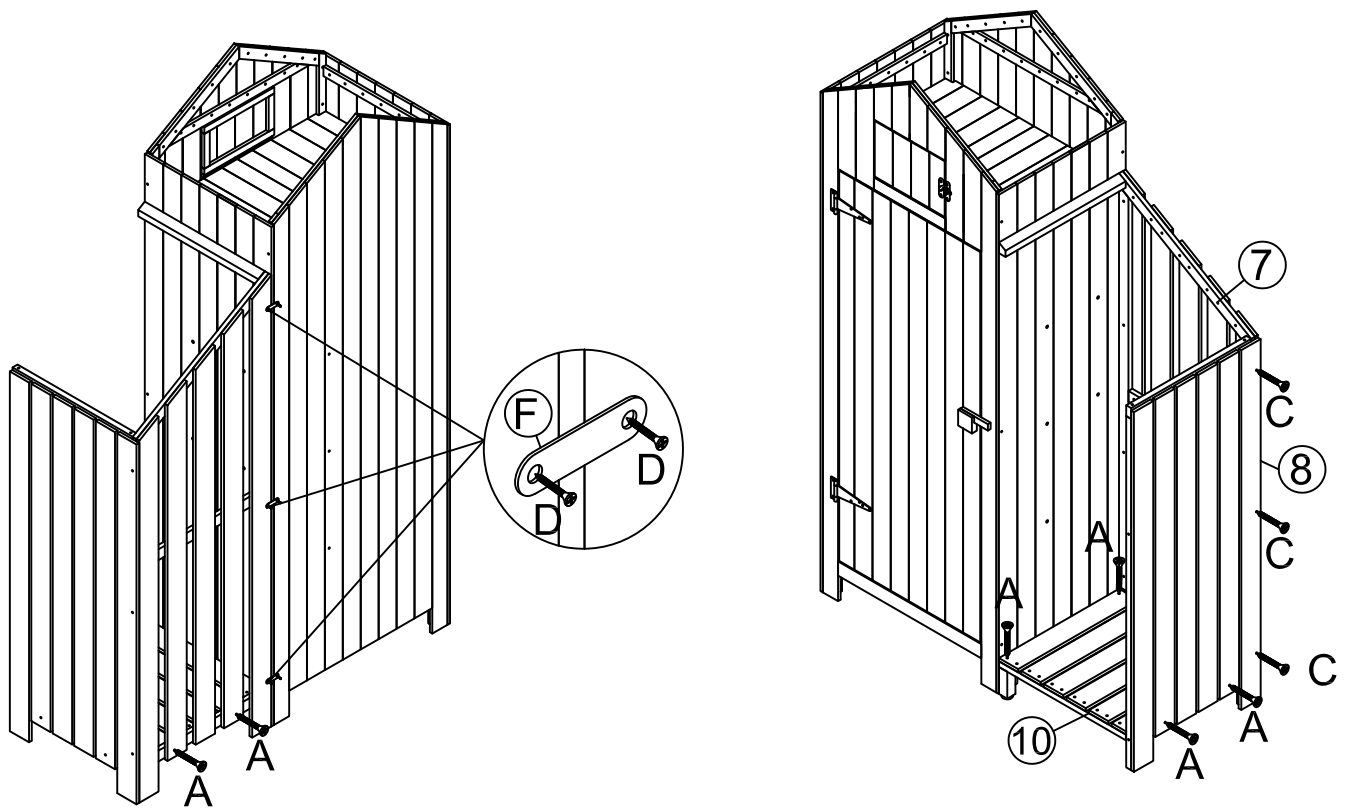
3



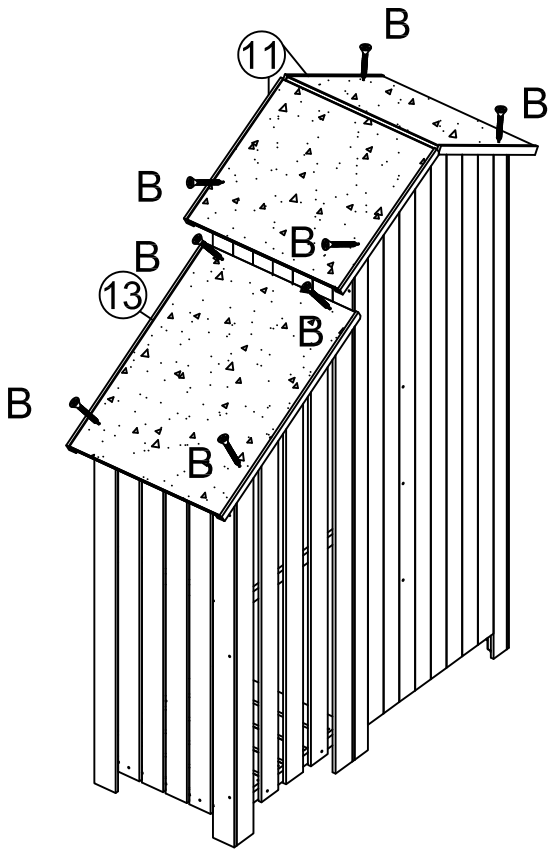
4



5



6



7

