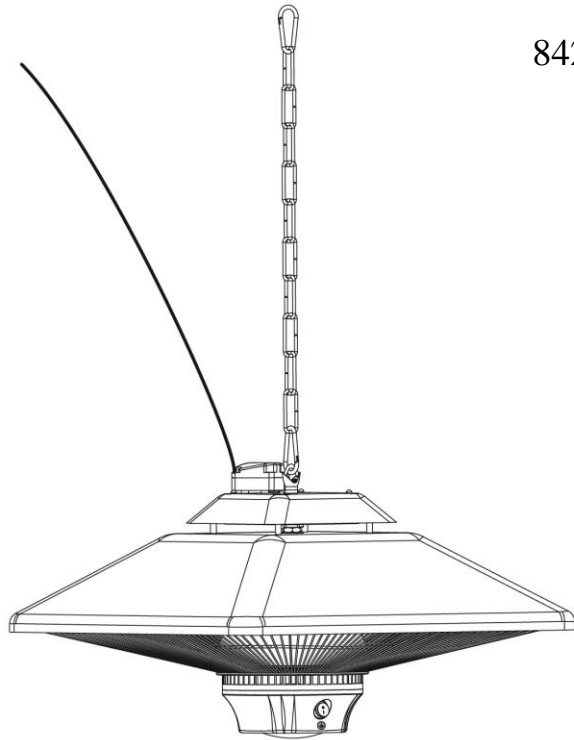


Instruction Manual

Electric Patio Heater

ZHQ2088-RMLED-II



842-063

Thank you for choosing our Electric Patio Heater. This owner's manual will provide you with valuable information necessary for the proper care and maintenance of your new product. Please take a few moments to thoroughly read the instructions and familiarize yourself with all the operational aspects of your new heater.

WARNING: This heater is not equipped with a device to control the room temperature. **Do not** use this heater in small rooms when they are occupied by persons not capable of leaving the room on their own, unless constant supervision is provided.

CAUTION — Some parts of this product can become very hot and cause burns. **P**articular attention has to be given where children and vulnerable people are present.

IMPROTANT INSTRUCTIONS

When using this electric unit, basic safety precautions should be followed to reduce the risk of fire, electric shock, and injury to persons, including the following:

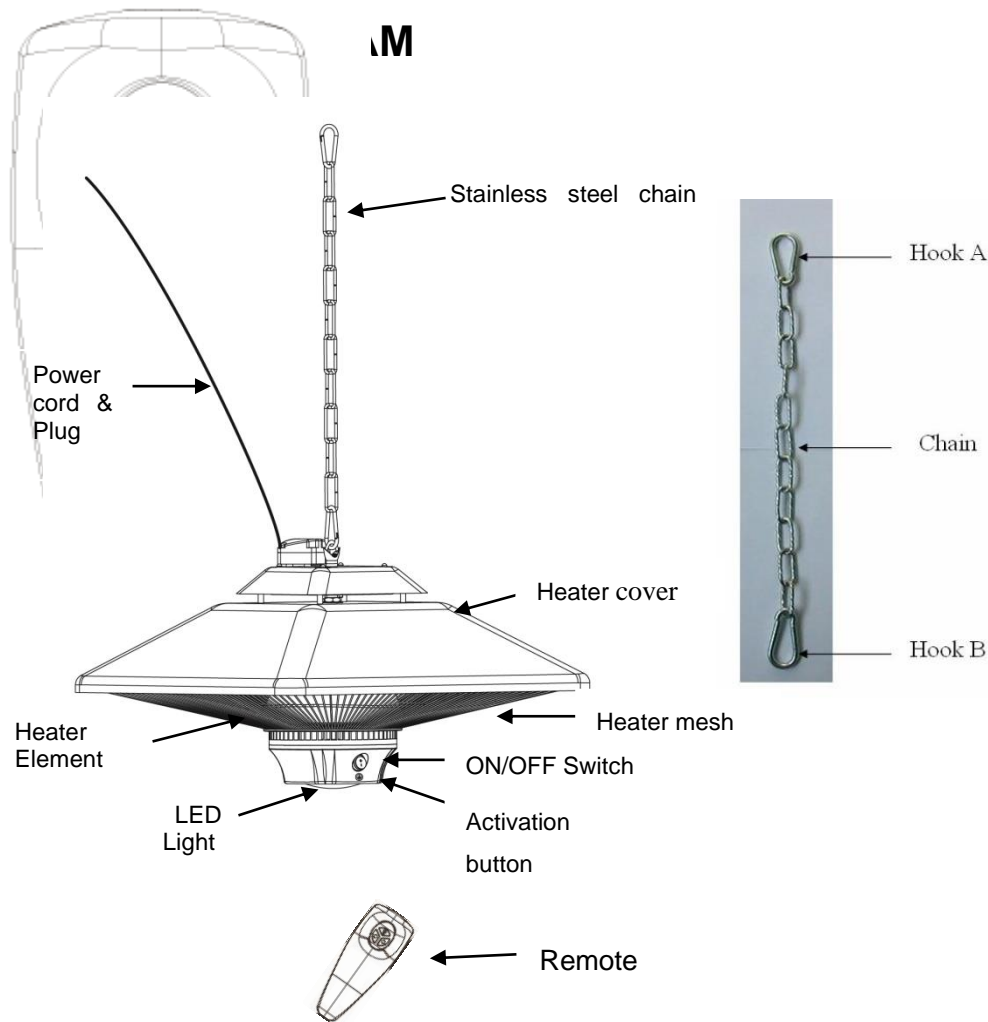
1. **M**ount the heater outside or in a large open area and well away from any obstructions such as branches or where the heater is near any objects that can be affected by heat, such as furniture, curtains or other inflammable objects (minimum distance 1 meter).
2. **Do not** position immediately above or below an electrical socket.

3. **T**he unit must be placed with the clearance of 180cm to the floor and 50cm to the ceiling.
4. **W**hen the power supply cord is damaged, it must be replaced by authorized agent or other professional people to avoid danger.
5. **T**his appliance is not intended for use by persons (including children) with reduced physical. **S**ensory or mental capabilities, or lack of experience and knowledge, unless they have been given supervision or instruction concerning use of the appliance by a person responsible for their safety.
6. **C**hildren should be supervised to ensure that they do not play with the appliance.
7. **Read ALL** instructions before using this unit.
8. **CAUTION: Risk of Electric Shock. DO NOT** open or try to repair the heater yourself.
9. **T**his heater may get hot when in use. **T**o avoid burns, **DO NOT** let bare skin touch hot surfaces. **I**f provided, use handles when moving this heater.
10. **K**eeep combustibile materials, such as furniture, pillows, bedding, paper, clothes, and curtains at least 3 ft from the front of the heater and keep them away from the sides, top, and rear. **DO NOT** place towels or other objects on the heater.
11. **E**xtrreme caution is necessary when any heater is used by or near children or the disabled, or when the heater is left operating and unattended.
12. **DO NOT** operate any heater with a damaged cord or after the heater malfunctions, has been drooped or damaged in any manner. **R**eturn heater to authorized service facility for examination, electrical or mechanical adjustment, or repair.
13. **T**his heater is not intended for use in bathrooms, laundry areas and similar indoor locations. **NEVER** locate heater where it may fall into a bathtub or other water container. **T**o protect against electrical hazards, **DO NOT** immerse in water or other liquids.
14. **DO NOT** touch the control panel or plug with a wet hand.
15. **DO NOT** run cord under carpeting. **DO NOT** cover cord with throw rugs, runners or similar coverings. **A**rrange cord away from traffic area and where it will not be tripped over.

16. **DO NOT** insert or allow foreign objects to enter any ventilation or exhaust opening as this may cause an electric shock or fire, or damage the heater.
17. **To** prevent a possible fire, **DO NOT** block the air intakes or exhaust in any manner. **DO NOT** use on soft surfaces, like a bed, where openings may become blocked.
18. **A** heater has hot and arcing or sparking parts inside. **DO NOT** use in areas where gasoline, paint, explosive and/or flammable liquids are used or stored. **Keep** unit away from heated surfaces and open flames.
19. **Avoid** the use of an extension cord because the extension cord may overheat and cause a risk of fire. **However**, if you have to use an extension cord, the cord shall be 2.5mm² minimum size.
20. **To** avoid fire or shock hazard, plug the unit directly into a 220-240 V and 15A electrical socket outlet.
21. **To** disconnect heater, turn controls to OFF, then remove plug from outlet. **Pull** firmly on plug, **DO NOT** unplug by pulling on the cord.
22. **Always** unplug the unit before moving or cleaning, or

whenever the heater is not in use.

23. **Use** only for intended household use as described in this manual. **Any** other use not recommended by the manufacturer may cause fire, electric shock, or injury to persons. **The** use of attachments not recommended or sold by unauthorized dealers may cause hazards.
24. **Always** use on a dry, level surface. **Use** on ceiling only.
25. **WARNING:** **To** reduce the risk of fire or electric shock, **DO NOT** use this unit with any solid-state speed control device.
26. **DO NOT** attempt to repair or adjust any electrical or mechanical functions on this unit. **Doing** so will void your warranty. The inside of the unit contains no user serviceable parts. **Qualified** personnel should perform all servicing only.
27. **Connect** to properly grounded outlets only.
28. **The** heater must not be located in front of a socket outlet.
29. **SAVE THESE INSTRUCTIONS.**



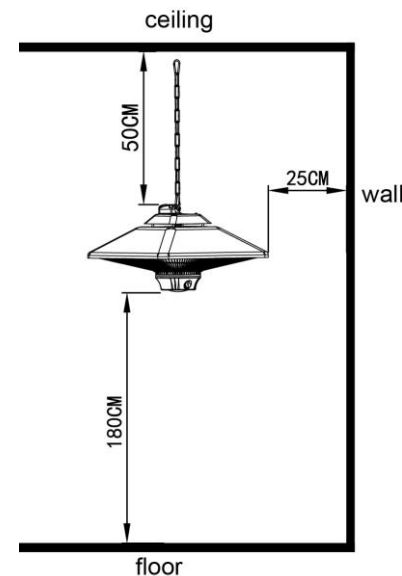
INSTALLATION INSTRUCTIONS

- A. Heater must be installed by a qualified electrician.
- B. Place the heater on a firm, level ceiling surface; level ceiling surface; installation of the heater on a strong rigid support (such as strong wooden beams or metal rails etc).

- C. The Hook on the ceiling hanging the Patio Heater must be able to take a weight 3 or 4 times that of the Patio Heater itself.
- D. Place the Hook A around the Ceiling Hook and clip on any Ring of the Chain to adjust the height of the Patio Heater to the Floor.
- E. The distance between the bottom of the Patio Heater to the Floor must be over 1.8M.
- F. Plug the Patio Heater into a grounded 220-240V 50-60Hz 15A power outlet.
- G. Only operate the heater when it is in the upright position.

Minimum Required Distances:

- 25cm from the side wall
- 50cm from the ceiling
- Installation height above 180cm



OPERATING INSTRUCTIONS

WARNING: The heater must be properly installed before it is used .
This unit is equipped with one heat setting **On / Off**.



- Plug the Patio Heater into a grounded 220-240V 50-60Hz power outlet.
- Only operate the heater when it is in the upright position.
- Our Electric Patio Heater is equipped with Three heat settings.

Remote control

- A. Press on the On/Off switch to activate the heater.
- B. To operate the heater on 1000W, press on the left or right side button of the remote control.
- C. To operate the heater on 2000W, press on both the left and right side button of the remote control.
- D. To operate the LED light, press the top button of the remote control.

Activation button

- A. Press on the On/Off switch to activate the heater
- B. Press on the button once to operate the heater on 1000W power.
- C. Press on the button twice to operate the heater on high

2000W power.

- D. Press on the button three times to activate the LED ambient lighting without heat.
- E. Press on the button four times to activate the LED ambient lighting and to operate the heater on 2000W power.
- F. Press on the button five times to shut the light and heat off.

MAINTENANCE

Unplug the unit and let it cool completely.

- To keep the heater clean, the outer shell may be cleaned with a soft, damp cloth. You may use a mild detergent if necessary. After cleaning, dry the unit with a soft cloth.
- DO NOT use alcohol, gasoline, abrasive powders, furniture polish, or rough brushes to clean the heater. This may cause damage or deterioration to the surface of the heater.
- Although this heater is outdoor approved, DO NOT immerse the heater in water for your safety.

Wait until the unit is completely dry before use.

STORAGE

If the heater will not be used for a long period of time, store it in a cool, dry location when not in use. To prevent dust and dirt build-up, use the original packaging to repack the unit.

TROUBLE SHOOTING

If the heater will not operate, please check the following before seeking repair of service:

- Check if the power cord is plugged into an electrical outlet, if not

plug in.

- Check if electricity to the main fuse is working.
- Make certain the power switches are turned on. If not, choose a setting.

Technical specification

- Model: ZHQ2088-RMLED-II
- Power supply 220-240V 50-60Hz
- Wattage max 2000w
- Net weight 3 kg
- Insulation class I
- Height 30cm

Importer:

MH STAR UK LTD

Unit 27, Perivale Park,
Horsenden Lane South
Perivale, UB6 7RH