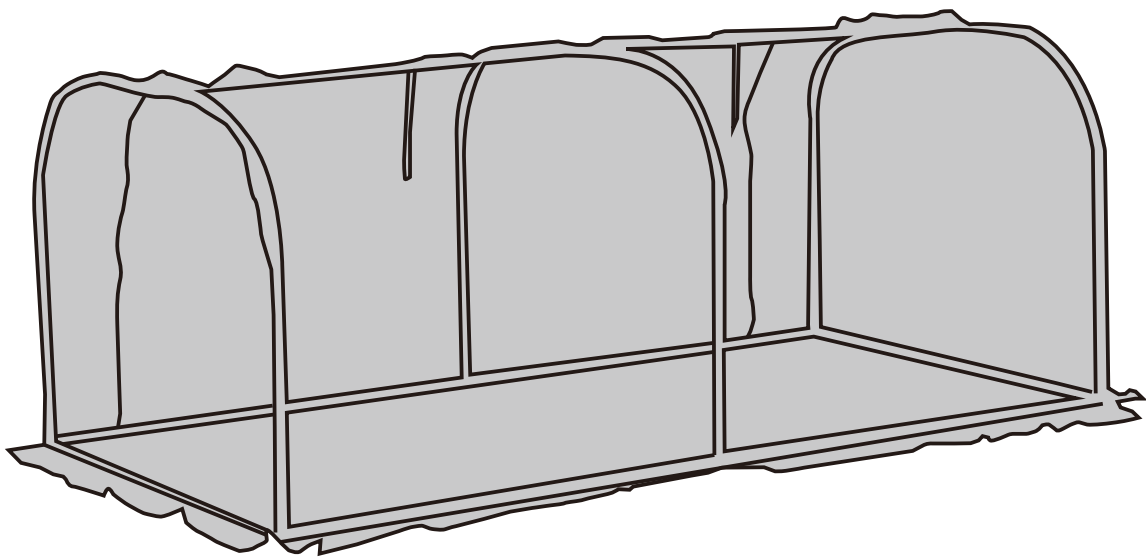




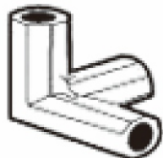

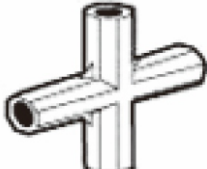

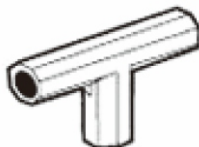

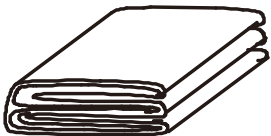
INbfa011V02_GL

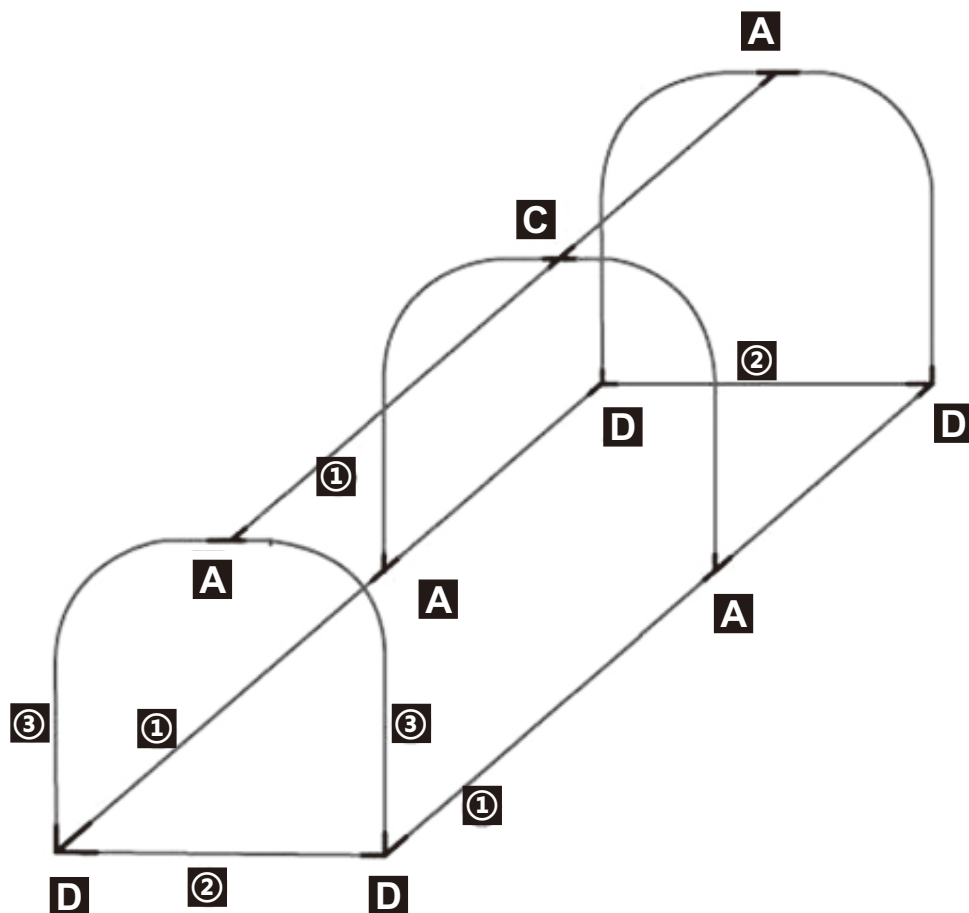
01-0468_845-305V02



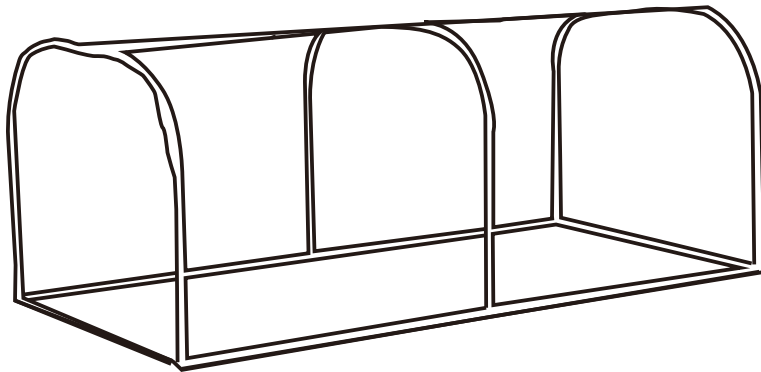
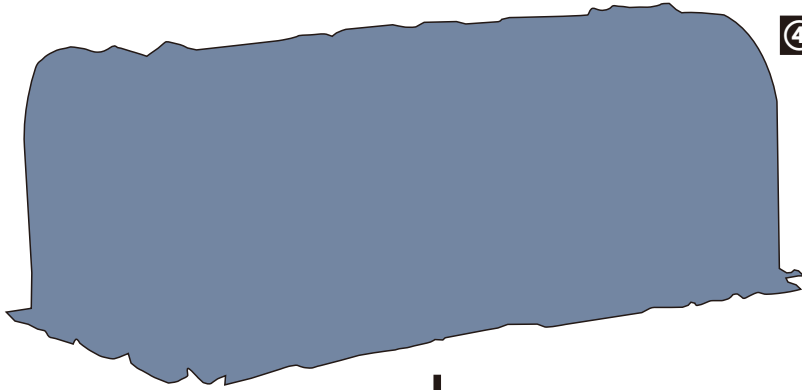
IMPORTANT, RETAIN FOR FUTURE REFERENCE: READ CAREFULLY

ASSEMBLY & INSTRUCTION MANUAL

	<p>D x 4</p>		<p>① x 6</p>
	<p>C x 1</p>		<p>② x 2</p>
	<p>A x 4</p>		<p>③ x 6</p>
			<p>④ x 1</p>



④



Done

