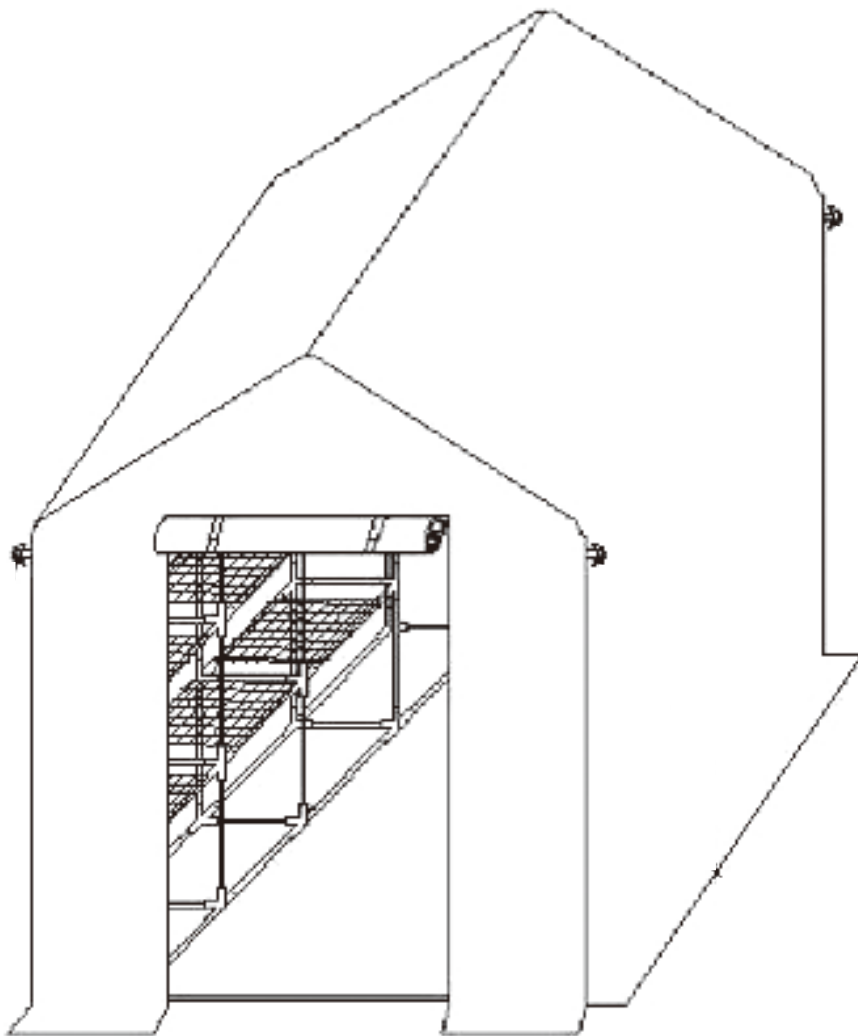




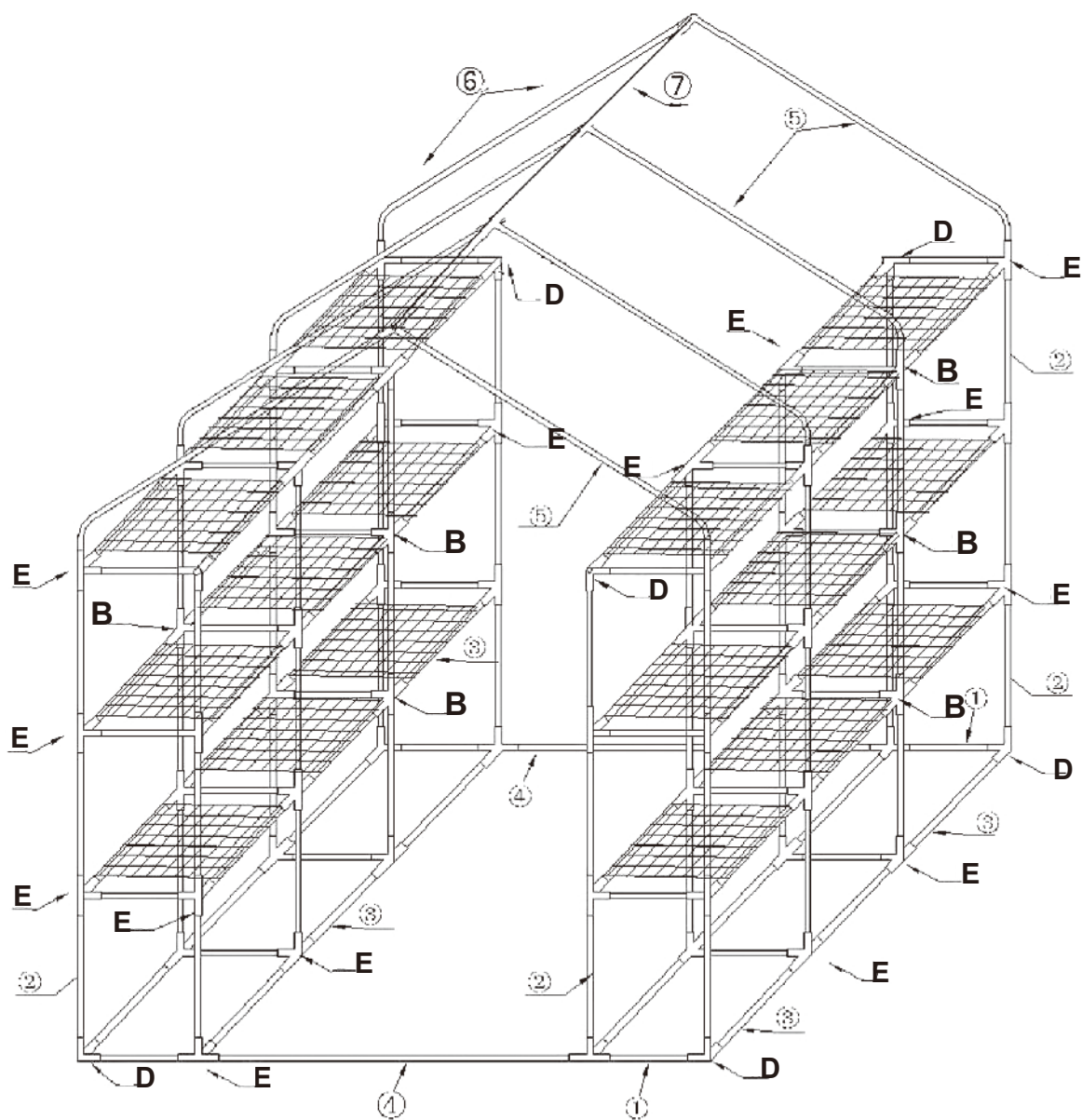
INbfa021V02_GL

5662-0110_845-696



IMPORTANT, RETAIN FOR FUTURE REFERENCE: READ CAREFULLY

ASSEMBLY & INSTRUCTION MANUAL



D		8	⑦		3
E		36	⑥		4
B		20	⑤		4
⑧		4	④		2
⑨		4	③		48
			②		48
			①		32
					18

