



## Grow Tent Assembly Instructions

845-262/845-262V01

For Tent Size: 40x40x120-140cm

60x60x120-200cm

75x75x140-160cm

80x80x160-200cm

90x90x180-200cm

100x100x200-230cm

120x120x200-230cm

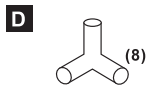
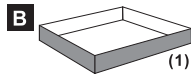
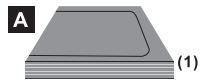
150x150x200-230cm

140x140x200-230cm

160x160x200-230cm

### COMPONENTS

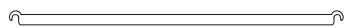
(A) Tent, (B) Floor Tray, (C) Filter Straps,  
(D) Corner Adapter, (1-5) Framework Support



1 4 pcs

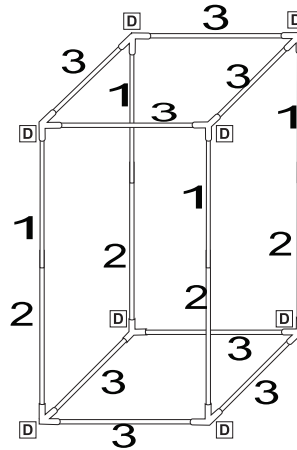
2 4 pcs

3 8 pcs

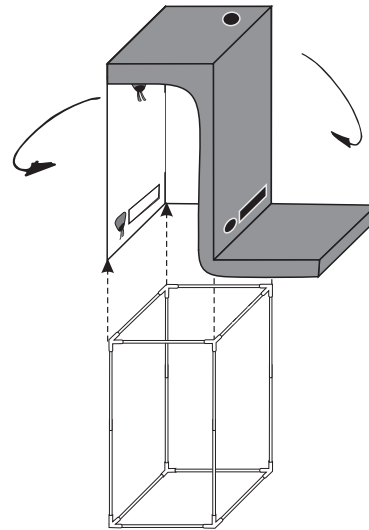


0044-800-240-4004  
enquiries@mhstar.co.uk

### STEP 1



### STEP 2

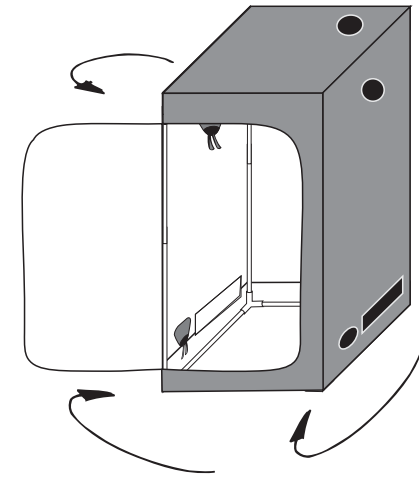


Unzip all zippers of the tent cover all the way.

First Gently pull up the top of tent shell on the frame  
make sure all corners are squarely in place.

Having a helper makes this process easier.

### STEP 3



Then pull the bottom of tent shell to cover  
the base of tent frame properly.

Put all hanging bars on the top of frame.

### STEP 4

