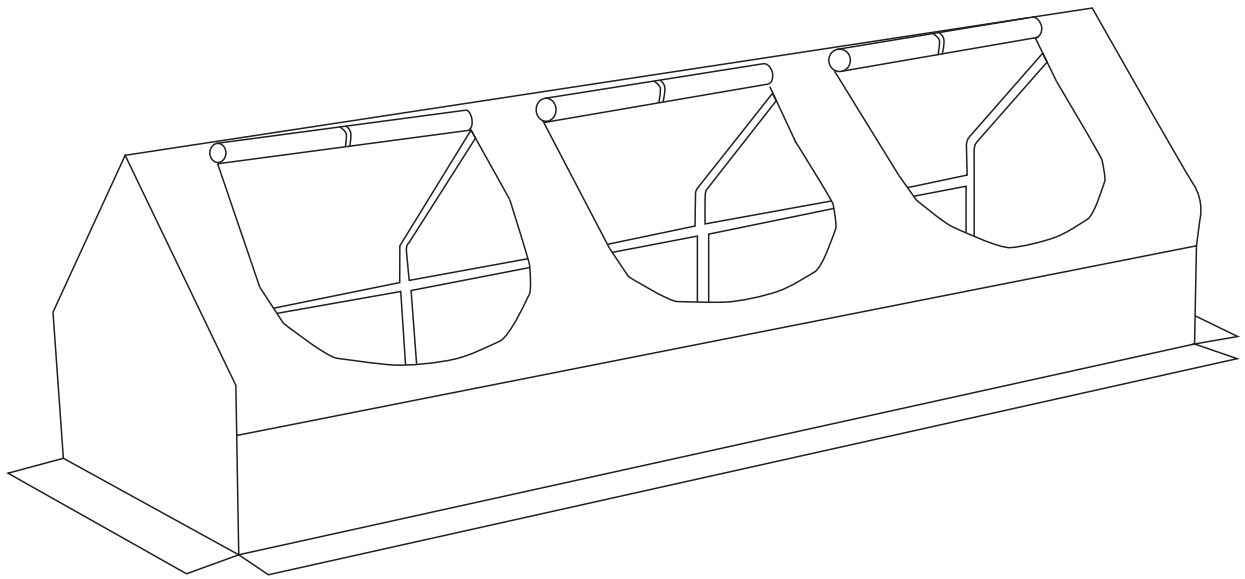




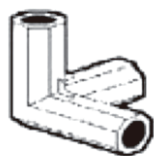
INbfa046V01_GL

845-368V01_845-368V05

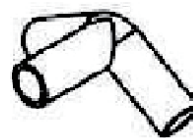


IMPORTANT, RETAIN FOR FUTURE REFERENCE: READ CAREFULLY

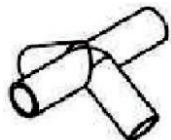
ASSEMBLY & INSTRUCTION MANUAL



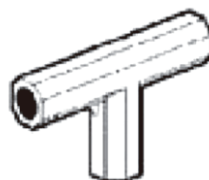
A x 4



B x 6



C x 6



D x 4



① x 17



② x 8



③ x 8



④ x 1

