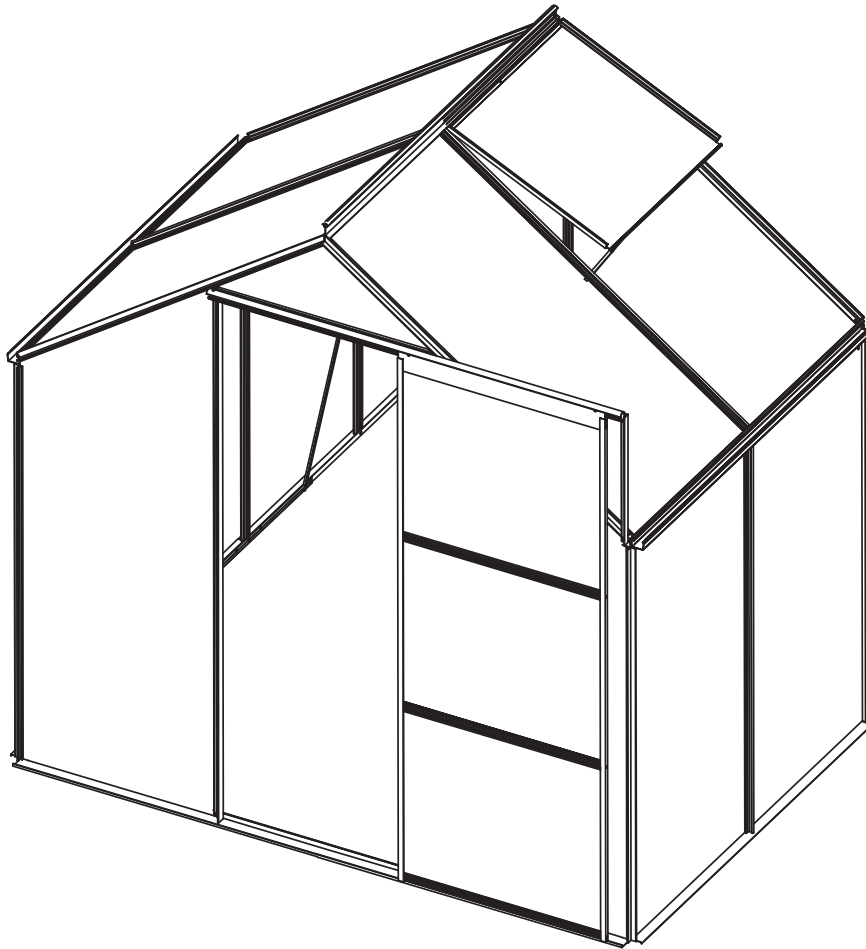




UK C000000

**845-334**



## **IMPORTANT**

You must read these instructions carefully before you start to assemble this greenhouse. Please ensure that you find all parts in the carton box in the correct type and quantity as mentioned in the list illustrated in every page accordingly.

Please carry out the steps in the order set out in these instructions.

Do not tighten the steps in the Aluminum Pavilion until completing on the assembly of the poly carbon ate panels.

Keep these instructions in a safe place for future reference.

# ASSEMBLY INSTRUCTION

## SAFETY ADVICE

We strongly recommend the use of work gloves during assembly.  
Do not attempt to assemble the Aluminum Pavilion in windy or wet conditions.  
Do not touch overhead power cables with the aluminum profiles.  
Always wear shoes and safety goggles when working with extruded aluminum.  
Dispose of all plastic bags safely-keep them out of reach of small children.  
The Aluminum Pavilion must be positioned and fixed on a flat level surface.  
Do not lean against or push the Aluminum Pavilion during construction.  
Keep children away from the assemble area.  
Do not position your Aluminum Pavilion in an area exposed to excessive wind.  
Do not attempt to assemble this Aluminum Pavilion if you are tired ,have taken drugs or alcohol or if you are prone to dizzy spells.  
If using a step ladder or power tools ensure that you follow the manufactures safety advice.  
Hot items such as recently used grills, blowtorches etc.must not be stores in the Wall shed.  
Ensure there are no hidden pipes or cables in the ground before inserting the pegs.

## GENERAL ADVICE

This is a multi-part assembly, Allow at least 100 minutes for assembly.  
Selecting a site-choose a sunny level position away from overhanging trees.  
If you are fixing your Aluminum Pavilion directly to a solid concrete foundation use the pre drilled holes in the metal base supplied.  
The component parts should be checked and laid out close at hand.  
Keep all small parts(screws etc)in a bowl so they do not get lost.  
Note that the door is hinged on the right hand side and therefore opens to the right.  
Keep roof clear of snow and leaves.

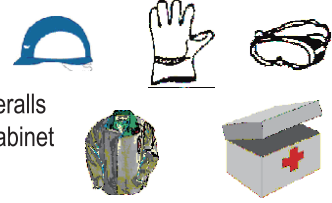
## CARE & MAINTENANCE

When your Aluminum Pavilion needs cleaning, use a mild detergent solution and risen with col's clean water.  
Do NOT use acetone, abrasive cleaners or other special detergents to clean the clear panels.

## TOOLS & EQUIPMENT REQUIRED

### Protective Equipment:

- 1.Helmet
- 2.Glove
- 3.Long Sleeve Cotton Overalls
- 4.Emergency Medicine Cabinet
- 5.Eye Shield



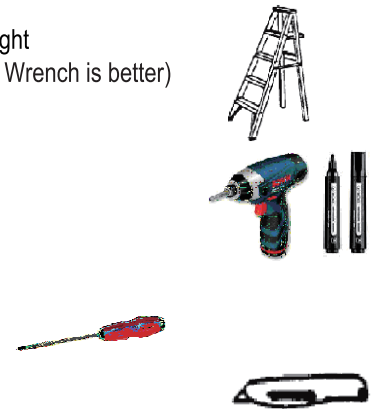
### Measure (metric):

- 1.The Tape (5 m)
- 2.Angle Square
- 3.Level Meter



### Installation Tool:

1. Triangle Stairs≈1.5m Height
2. Spanner 10mm (Ratchet Wrench is better)
3. Marking Pen
4. Knife
5. Phillips screwdriver
6. Drill bit Ø7

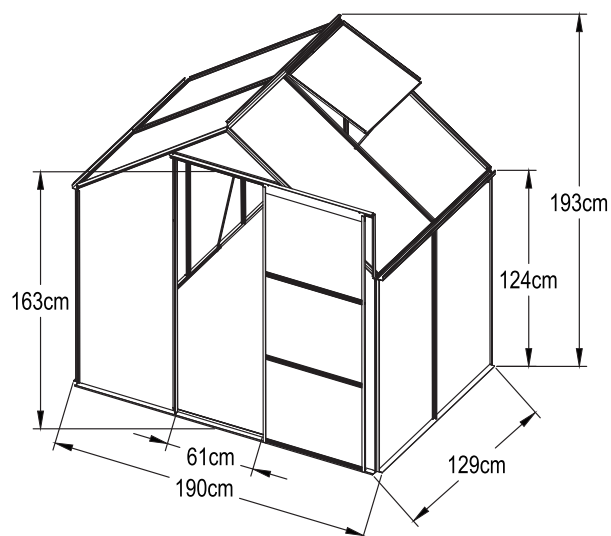


## PRODUCT SIZE

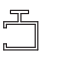




















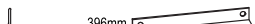



**Make sure a good installation location**

### OTHER CAUTIONS





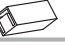


1. 1-2 people required, one is for measuring & taking marks to ensure the installation dimension ,the second person is responsible for the installation and the last one do as assistant and assure the safety.
2. Firstly, make sure the wall is strong enough for installation. A brick concrete structures is the best choice.
3. High-power electric tools are required, ensure the normal work of them and highly pay attention to electric safety.
4. Be careful when using the kind of blunt tools, like hammer.
5. Wearing long sleeve cotton overalls,gloves and helmet during installation and wear safety glasses when using power tools .
- 6.No up watching when working height, or the drop screws may hurt your eyes and suffocation causing accidentally when fall into your mouth.
7. No climbing, No standing on the tent to avoid falling down.
8. If injuries immediately, using the first-aid kit to stop bleeding, bind up. In case of emergency, taken immediately to a nearby medical institutions.




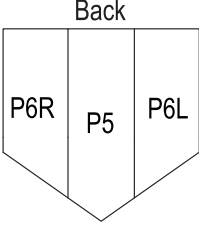
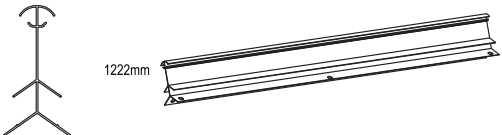
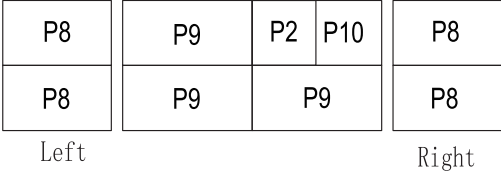

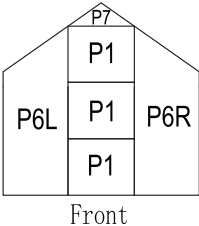














**PARTS LIST**

DOOR			WALLS AND ROOF		
NO.	Qty.		NO.	Qty.	
D1	1		12	2	
D4	1		14	1	
D2	1		22	4	
D3	3		23	2	
13	1		7	4	
18	1		16-1	1	
9L	1		16-2	1	
9R	1		16-3	1	
			16-4	1	
			10L	1	
			10R	1	
			19	2	
			20	2	
			25	1	
			6	1	
			5	1	
			4	2	

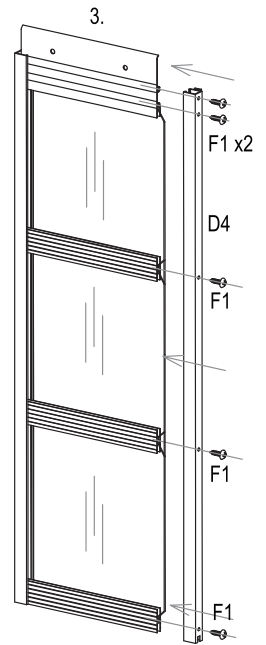
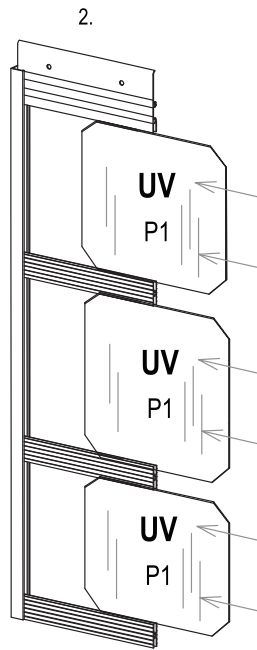
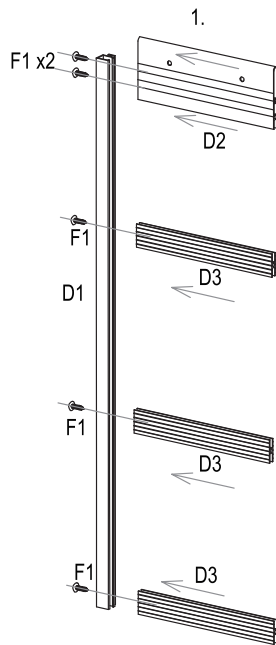
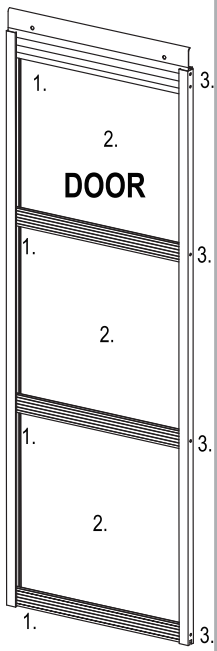
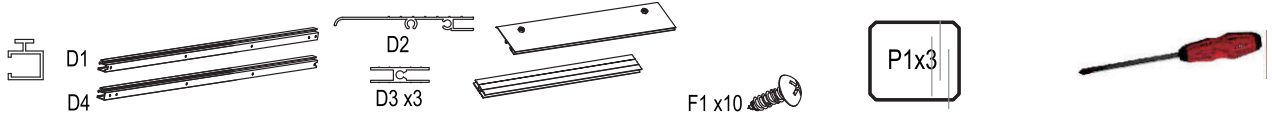
  

WINDOW		
NO.	Qty.	
W1	1	
W2	2	
W3	1	
W4	1	
S8	1	
S9	1	
21	1	

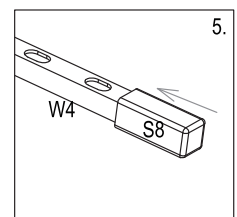
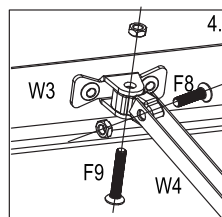
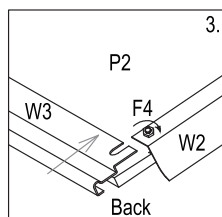
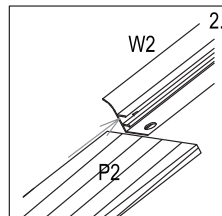
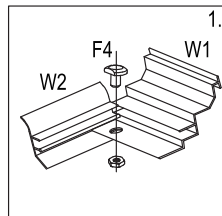
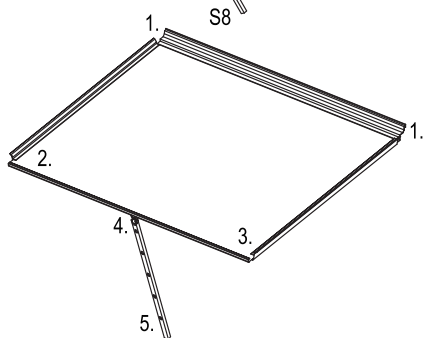
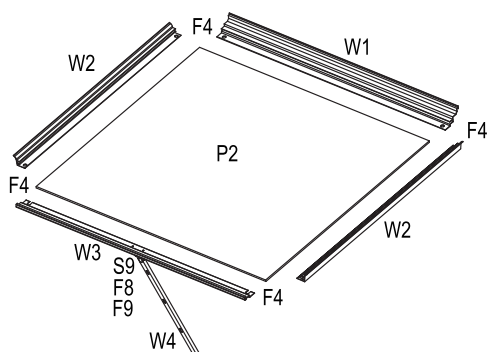
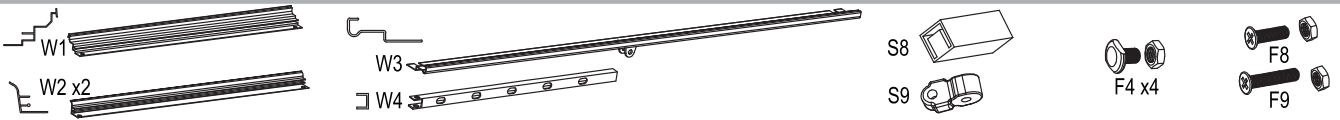
**PARTS LIST**

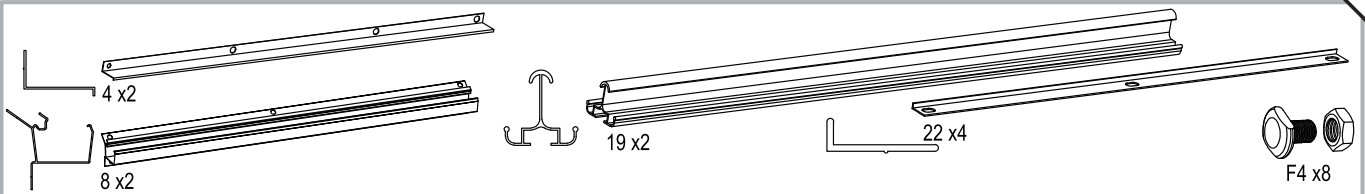
WALLS AND ROOF			SUMMARY STATEMENT FOR POLYCARBONATE PANEL		
NO.	Qty.				
8	2				
17	1				
OTHER					
B3	110				
B4	1				
B5	4				
B6	1				
B8	1				
S3	4				
S4	8				
S7L	1				
S7R	1				
F1	10				
F3	1				
F4	73				
F5	4				
F8	1				
F9	1				

### DOOR

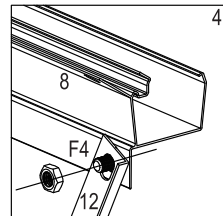
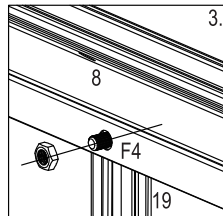
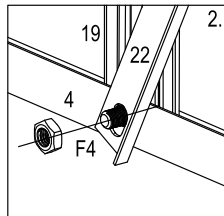
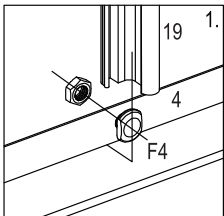
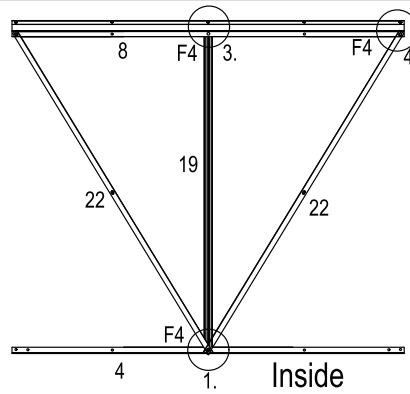


### WINDOW

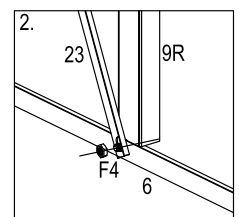
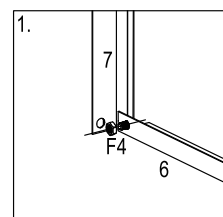
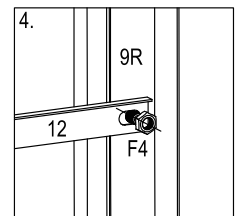
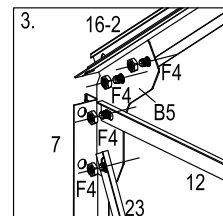
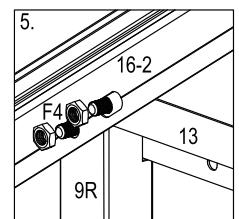
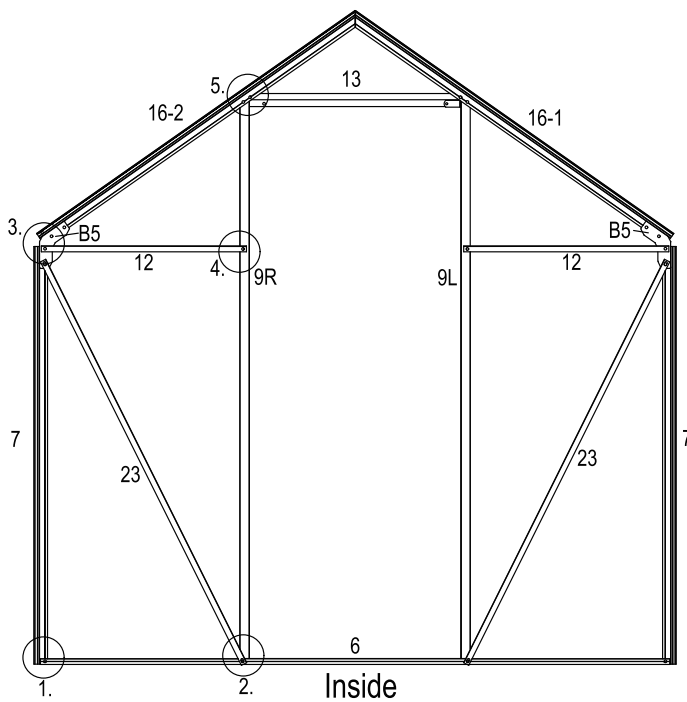
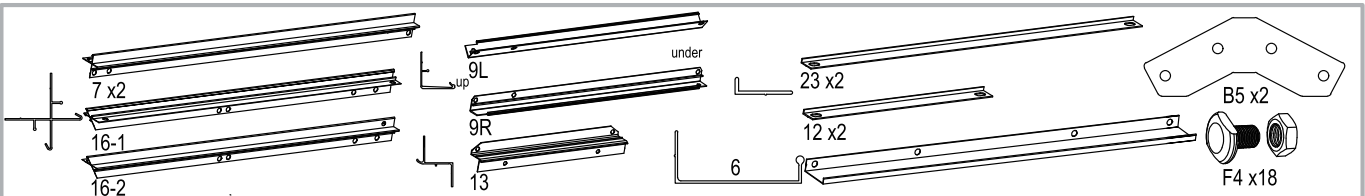


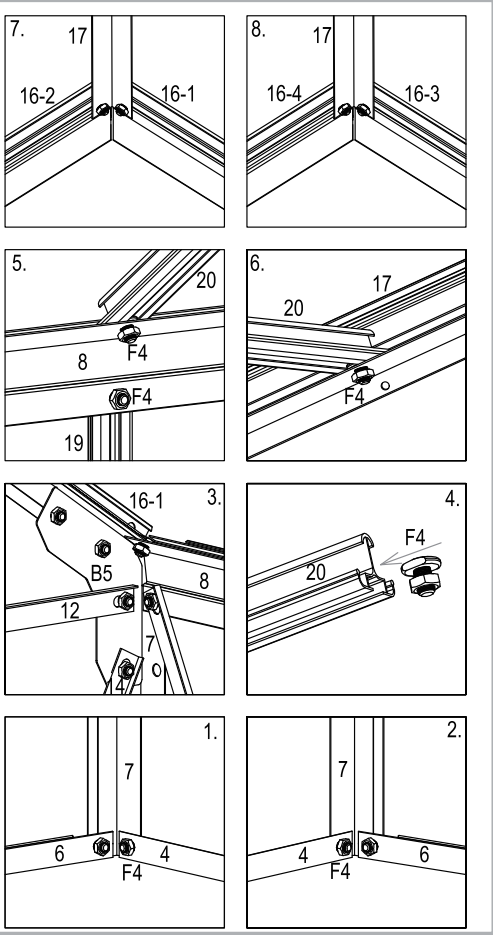
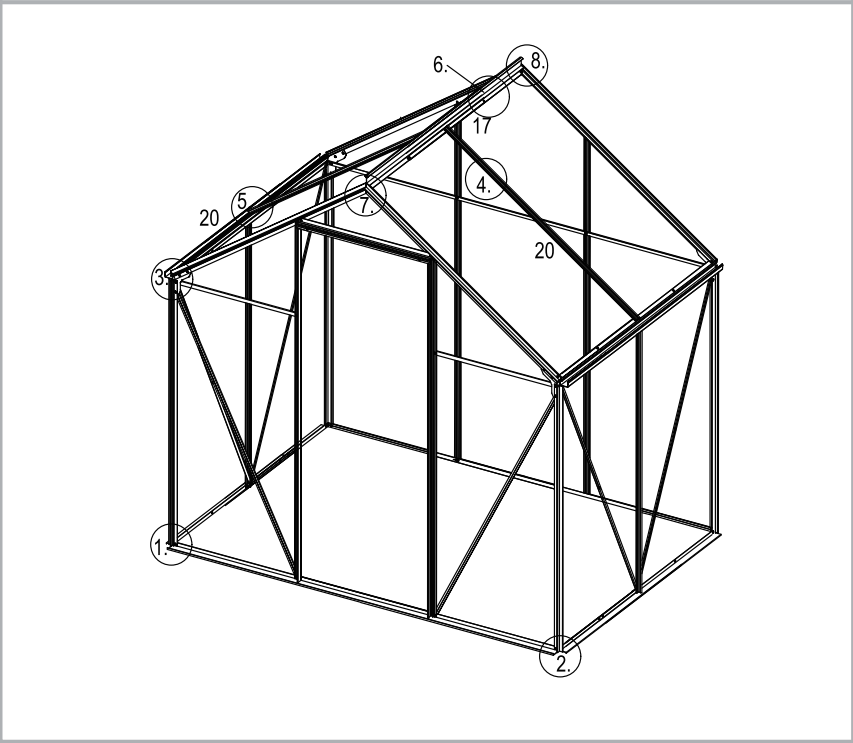
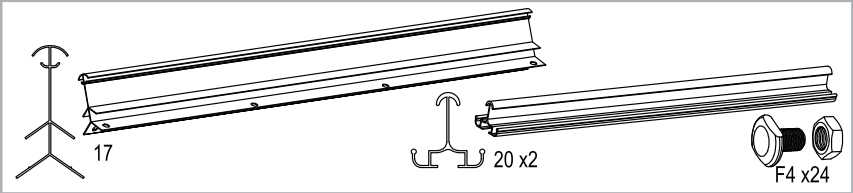
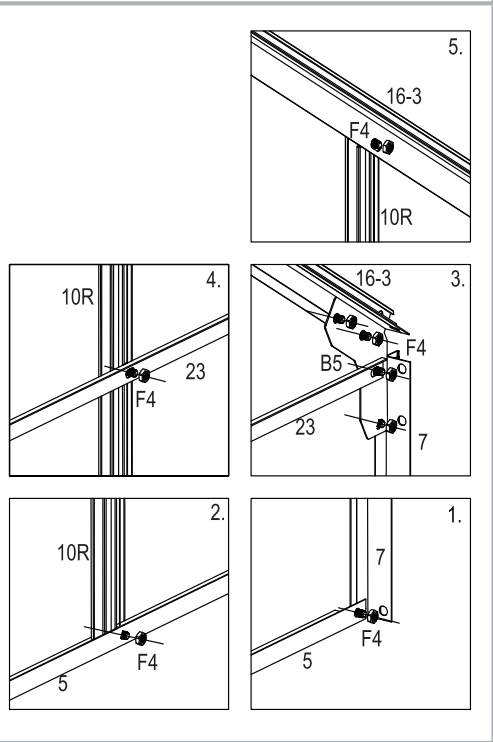
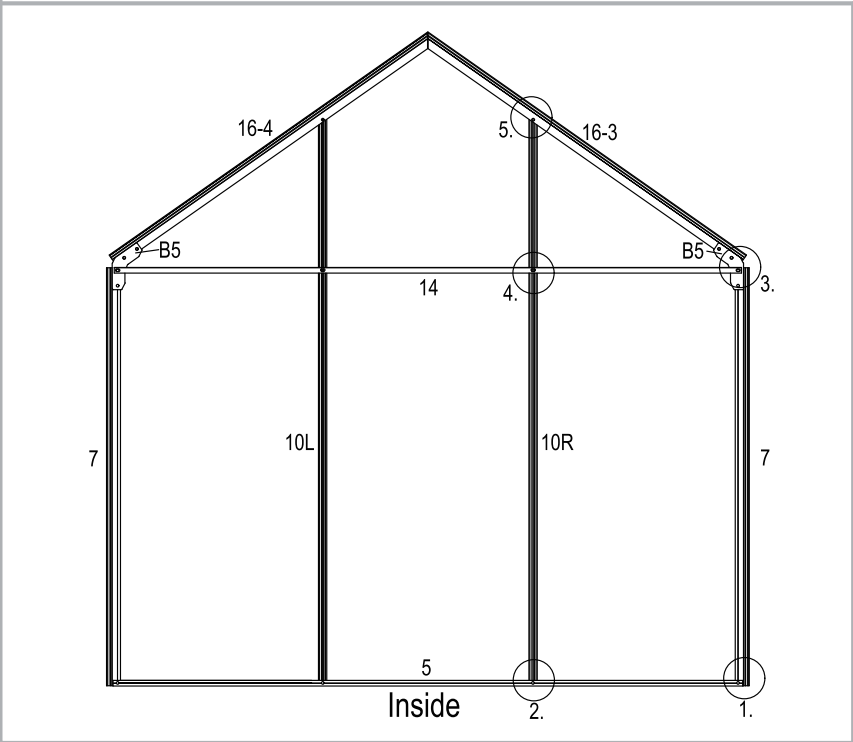
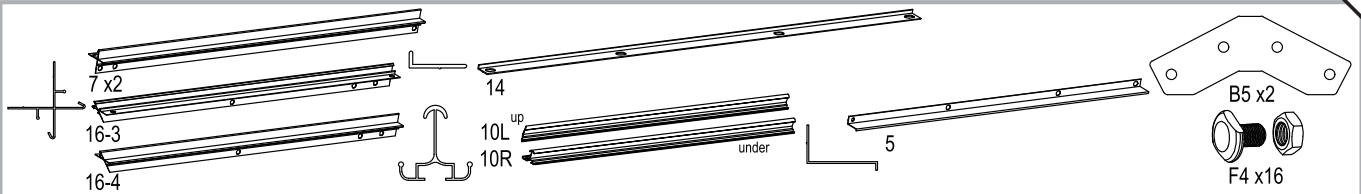


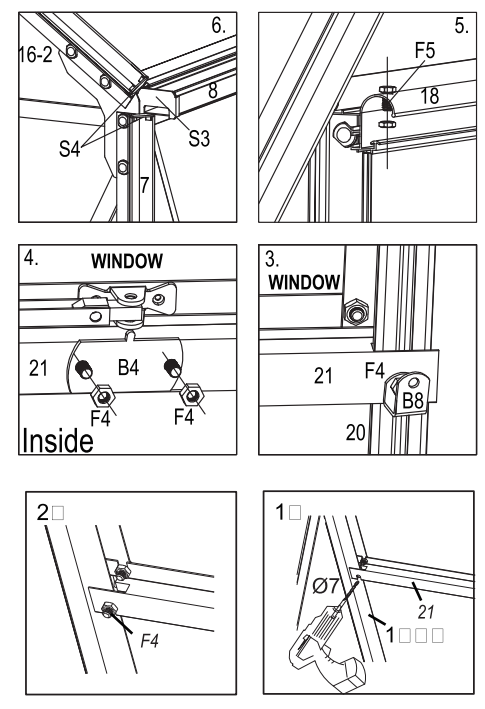
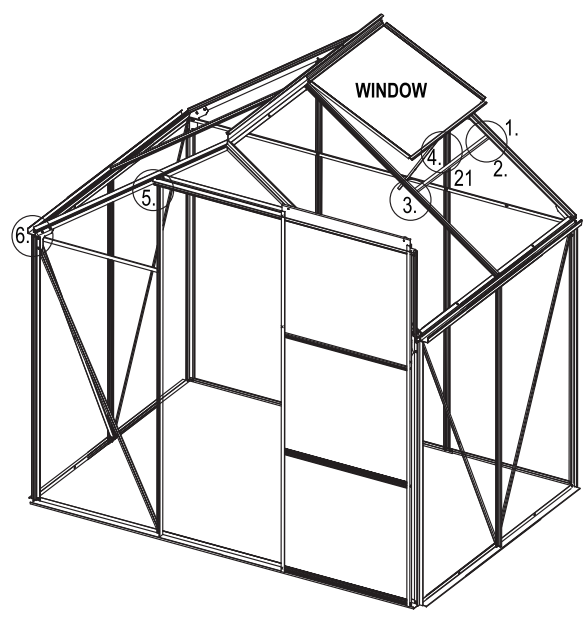
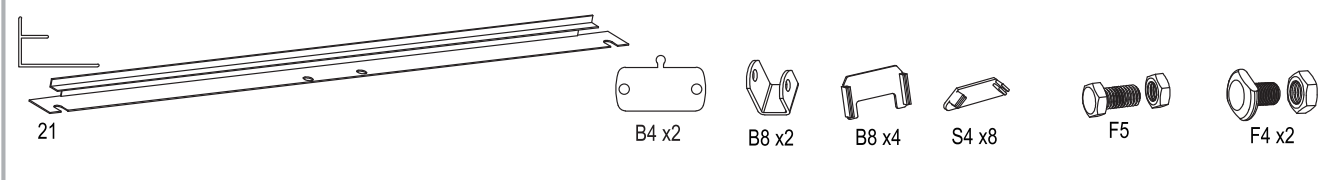
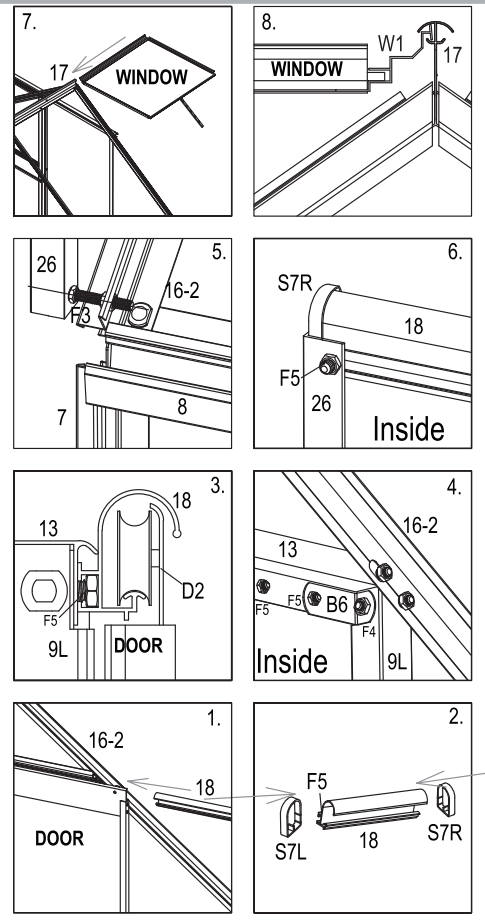
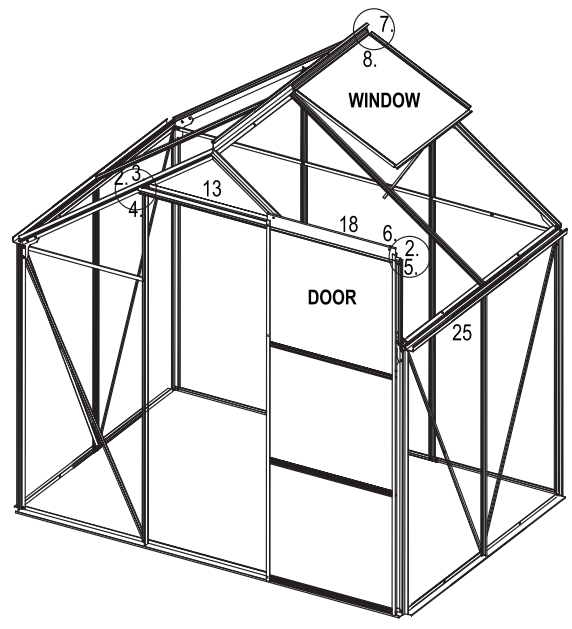
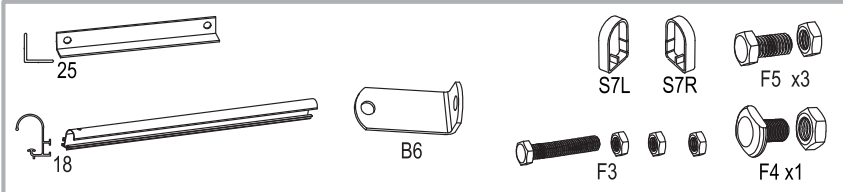
x2

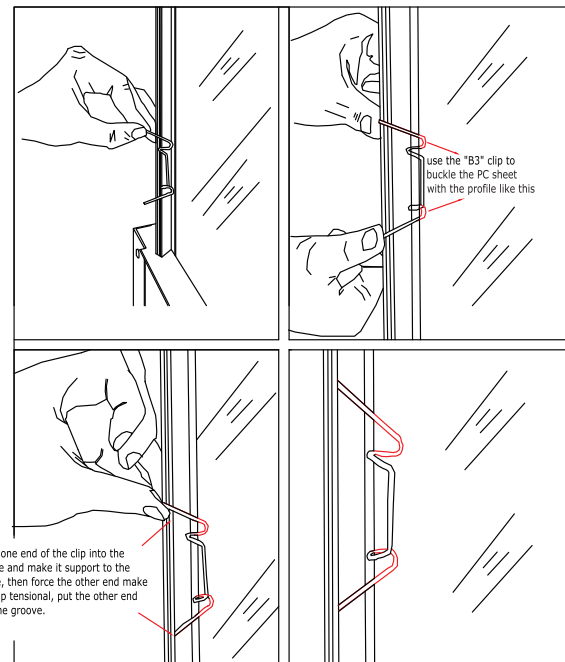
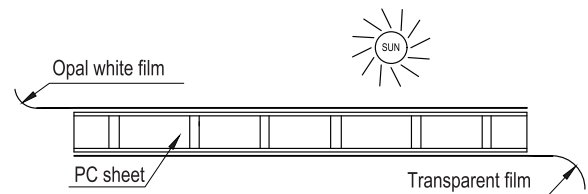
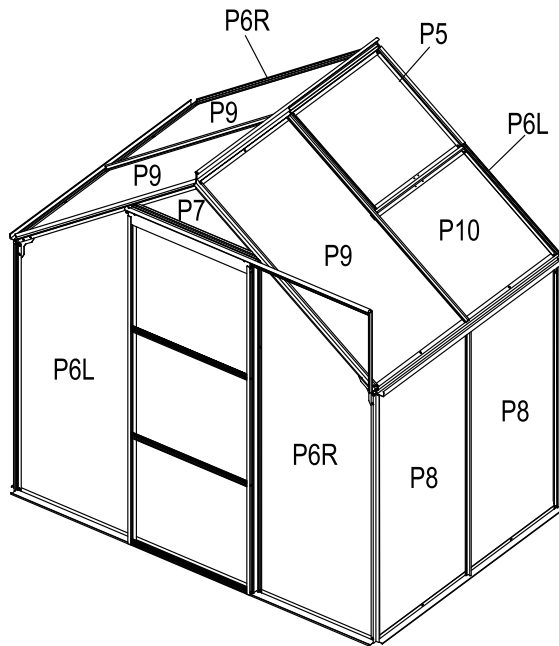


Outward









#### Maintenance:

In a timely manner the centralizer skeleton.

1.If the ground not level off, loose soil layer thickness is differ, wall shed may tilt to one end, once found, should be timely the centralizer, in case of deformation. The shed may be slant when facing the un-level ground or loose soil layer, please righting the shed urgently to avoid deformation

2.Prevent increased loading-weight artificially.

Don't let any lentils, towel gourd, pumpkin and climbing fruits and vegetables to grow up on the canopy, otherwise if it is windy and rainy, skeleton is unbearable, and easy to cause skeleton crack, broken, collapse Avoid kinds of vine plant climbing on the canopy, or it can not bearing for the wind and heavy rain, broken,collapse may accured.

#### The sunshine board maintenance:

1.In the using canopy, note do not use sharp objects collision films, avoid to cut films. Be careful not collide with a sharp object films,in order to avoid scratched films when using.

2.If films appear rupture, can use glue to repair or repair with transparent tape. Available polyurethane adhesive for repairing. Often keep the films clean, generally the PC sheet replacement using 6 ~ 10 years later, so as not to affect the light transmittance. Using transparent tape adhesive to patch cracks of film when any broken in case .Keep clean films,it will better replaced by new panels after 6-10years to avoid affect the Light transmittance

3.The flame retardant in polycarbonate material, but still need to stay away from fire, avoid softening deformation.

As Polycarbonate is fire-retardant materials, please stay away from the fire ,to avoid softening deformation.

#### Frame maintenance:

1.The frame is aluminum alloy structure, if there is a white problem can wipe with a cloth in time, under high temperature and wet environment.

All frames are made of alloy aluminum. White spots may appeared under wet-hot environment, just wipe it.

2.If there is any distortion calibration shall be carried out in a timely manner in order to avoid sunshine board out, If Polycarbonate out of frame, please removed screws. Carried out in accordance with the manual installation steps, and partial restoration.Any distortion calibration shall be carried out in a timely to avoid the sunshine board fall off. Repair work should be according to the IM.

3.If connection piece serious rust, should change in time the new screws and connectors to ensure connection parts are firm Please replaced the serious rust screws and connection for stable.

#### How to do in bad weather:

1.If there is lightning may not stay in the shed, because aluminum alloy skeleton is conductive and will be caused serious consequences

Do not stay under shed when lightning.

2.Wind power reaches 70 km/h should be prepared ready to defense equipment, fixed wall shed. Fixed method with a strong rope or cable connect the cornice work four Angle of anchor block inserted into the soil or tied in a nearby tree stem > 10 cm in diameter. Pay attention to the weather turns good dismantled after the rope or cable to avoid injury and pedestrian.

Please get defensive measures when facing heavy wind (abt 70km/H). Reinforce by steel rope and anchors which insert into ground or Strapping on a big tree

3.Clear in time at the top of the deciduous leaves led to the decrease of the canopy transparency, heat preservation effect is reduced

To avoid greenhouses reduced transparency, heat preservation effect is reduced, please clean up the leaves at the top.

4.During snow, removal work in time, if not timely to snow removal, Use solid wooden plate supporting internal intermediate point and middle position of polycarbonate, prevent snow collapsing the wall shed.

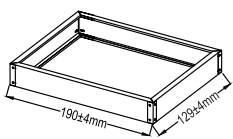
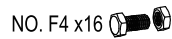
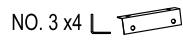
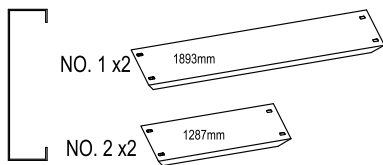
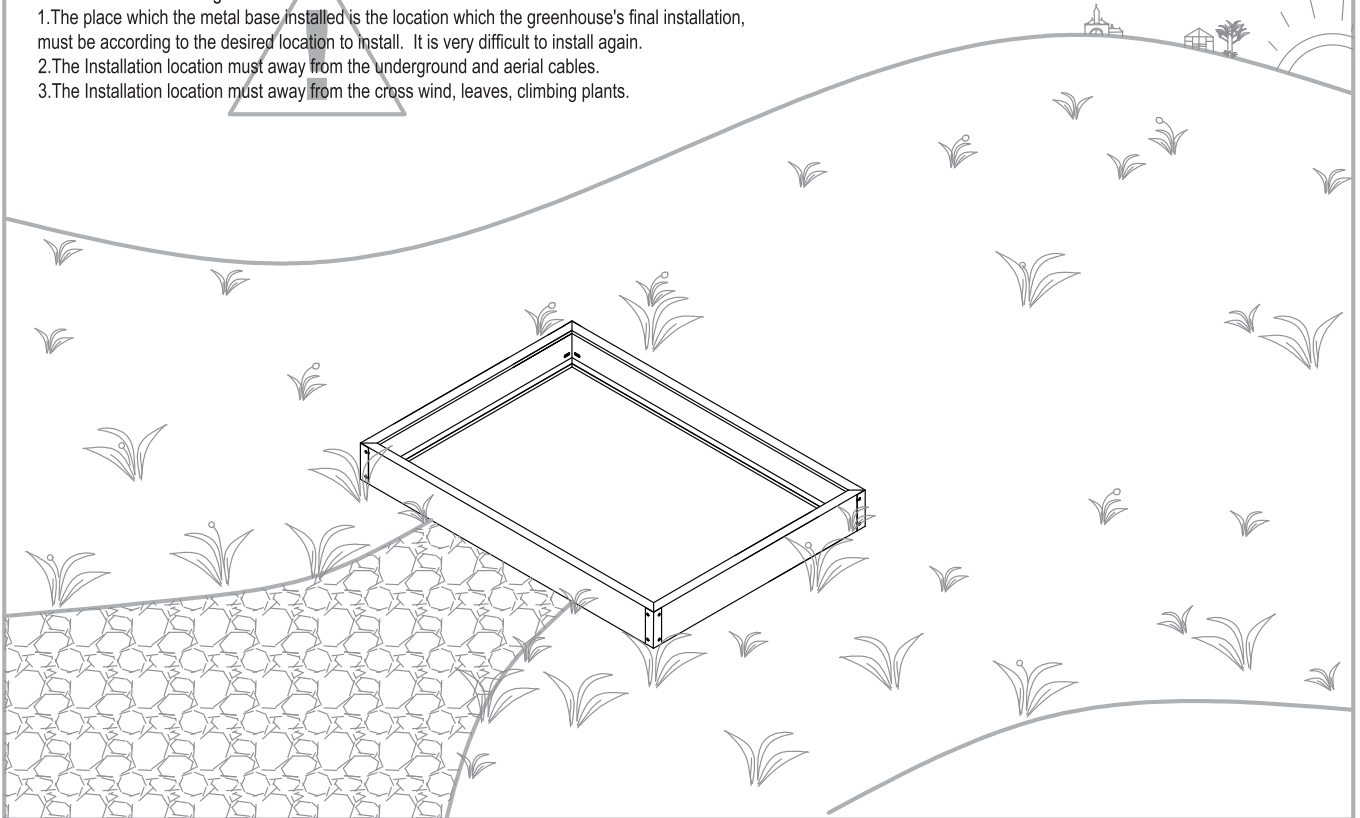
To prevent collapsing by snow, please remove the snow in time,Or support by a wooden stick support in the center of the sunshine board for reinforcement



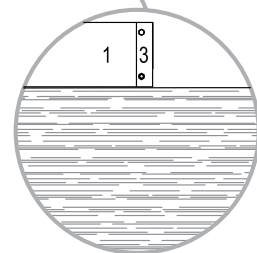
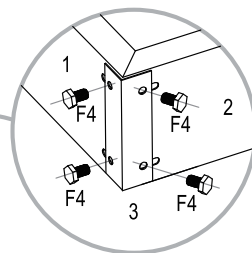
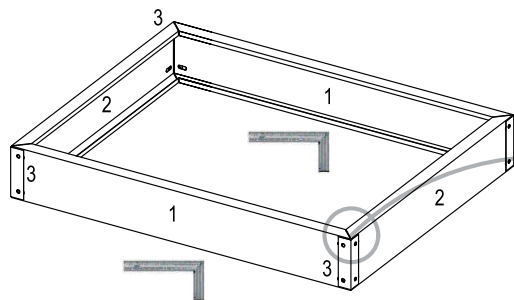
## BASE

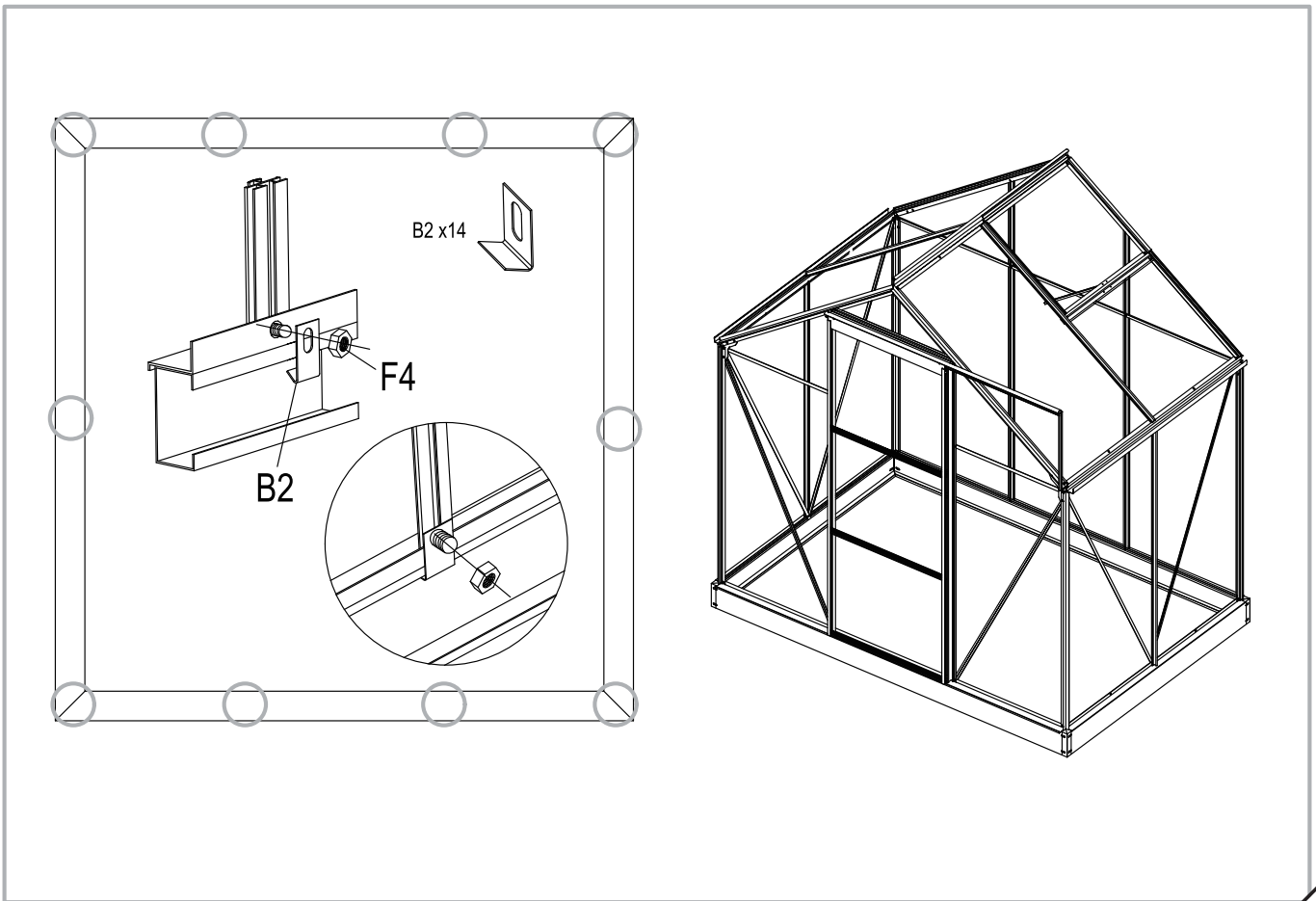
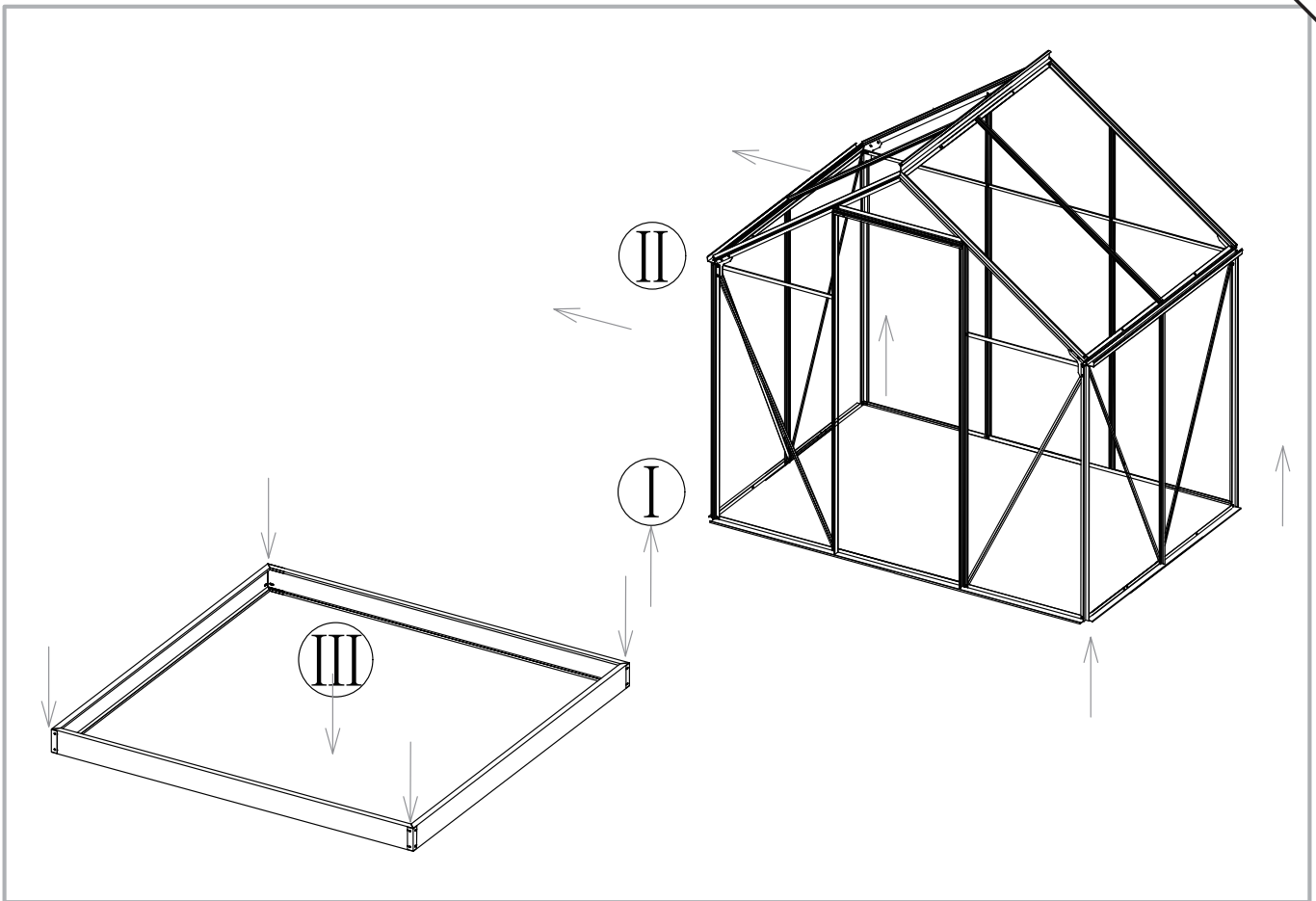
### Attention before installing metal base

1. The place which the metal base installed is the location which the greenhouse's final installation, must be according to the desired location to install. It is very difficult to install again.
2. The Installation location must away from the underground and aerial cables.
3. The Installation location must away from the cross wind, leaves, climbing plants.























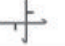



















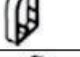
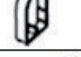







After assembling, Please make sure Part No. 1 and No.1 keep plumb.  
All the anchor No.3 is buried into ground.  
Keep Part No. 1 and No.1 level.










**PACKING DETAILS:TOTAL 2 BOXES**

**S130-DP      CARTON : 1/2**

PART	NO.	SIZE (mm)	QTY	PART	NO.	SIZE (mm)	QTY	PART	NO.	SIZE (mm)	QTY
	D1	1617	1		D4	1617	1		D2	621	1
	D3	621	3		9L	1641	1		9R	1641	1
	18	1245	1		13	635	1		W1	590	1
	W2	522	2		W3	590	1		W4	380	1
	21	624	1		12	596	2		14	1824	1
	22	1361	4		23	1310	2		7	1215	4
	16-1	1130	1		16-2	1130	1		16-3	1130	1
	16-4	1130	1		10L	1664	1		10R	1664	1
	19	1215	2		20	1113	2		25	396	1
	6	1830	1		5	1830	1		4	1222	2
	8	1222	2		17	1222	1		B3		116
	B4		1		B5		4		B6		1
	B8		1		S3		4		S4		8
	S9		1		S7L		1		S7R		1
	S8		1		F1		11		F3		1
	F4		80		F5		4		F8		1
	F9		1	PANEL	P5	1869x602	1	PANEL	P6L	1655x602	2
PANEL	P6R	1655x602	2	PANEL	P2	547x593	1	PANEL	P1	518x620	3
PANEL	P7	234x623	1	PANEL	P10	585x602	1	PANEL	P9	1127x602	3
PANEL	P8	1213x602	4		MANU AL		1				

**S130-DP      CARTON : 2/2**

PART	NO.	SIZE (mm)	QTY	PART	NO.	SIZE (mm)	QTY	PART	NO.	SIZE (mm)	QTY
	1	1893	2		2	1287	2		3	117	4
	B2		14		F4		16				

US



001-877-644-9366  
customerservice@aosom.com

CA



001-855-537-6088  
customerservice@aosom.ca

UK



0044-800-240-4004  
enquiries@mhstar.co.uk

DE



0049-(0)40-88307530  
service@aosom.de

FR



0033-1-84166106  
contact@aosom.fr

ES



0034-931294512  
atencioncliente@aosom.es

IT



0039-0249471447  
clienti@aosom.it