



# ASSEMBLY INSTRUCTION

- A** BACKREST x 01 PC
- B** SEATING x 01 PC
- C** LEFT HAND x 01 PC
- D** RIGHT HAND x 01 PC
- E** FRAME LEG x 01 PC

**Material to use**

- A** x 01 PC
- B** x 01 PC
- 1** x 02 PCS
- 2** x 02 PCS
- 3** x 02 PCS
- 6** x 02 PCS
- 8** x 02 PCS
- 9** x 02 PCS
- 10** x 02 PCS

**Material to use**

- E** x 01 PC
- 4** x 02 PCS
- 6** x 02 PCS
- 9** x 02 PCS

**Material to use**

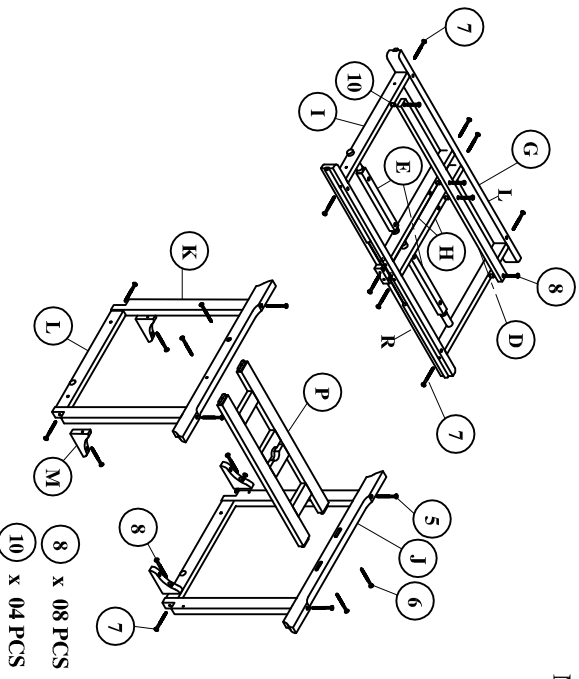
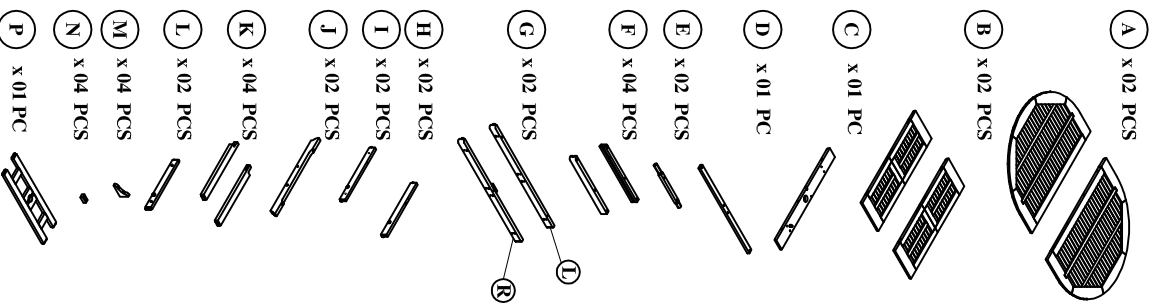
- C** x 01 PC
- D** x 01 PC
- 5** x 02 PCS
- 6** x 02 PCS
- 7** x 02 PCS

**Material to use**

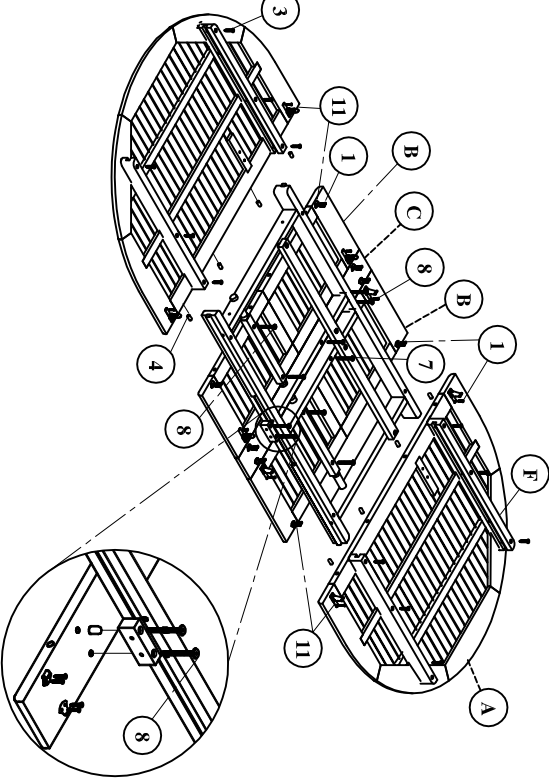
- 10** PAT SUSPEND x 02 PCS
- 7** (LDN 6,5/18 x 2mm) x 02 PCS
- 8** (LDS 10,5/20 x 2mm) x 02 PCS
- 11** 02 Pcs
- 9** (LDN 8/18 x 5 mm) x 04 PCS

**84B-323**

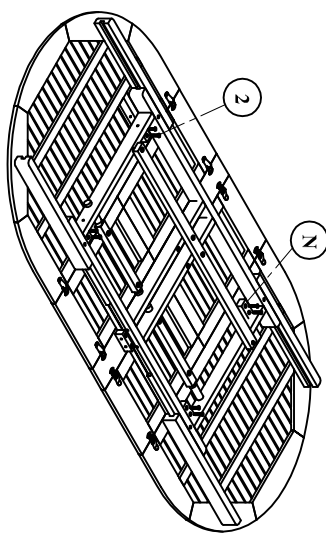
- 1** (BL 6 x 15) x 02 PCS
- 2** (BL 6 x 35) x 02 PCS
- 3** (BL 8 x 40) x 02 PCS
- 4** (BL 6 x 45) x 02 PCS
- 5** (BL 6 x 60) x 02 PCS
- 6** (TD 6 x 13) x 06 PCS
- 7** (LDN 6,5/18 x 2mm) x 02 PCS
- 8** (LDS 10,5/20 x 2mm) x 02 PCS



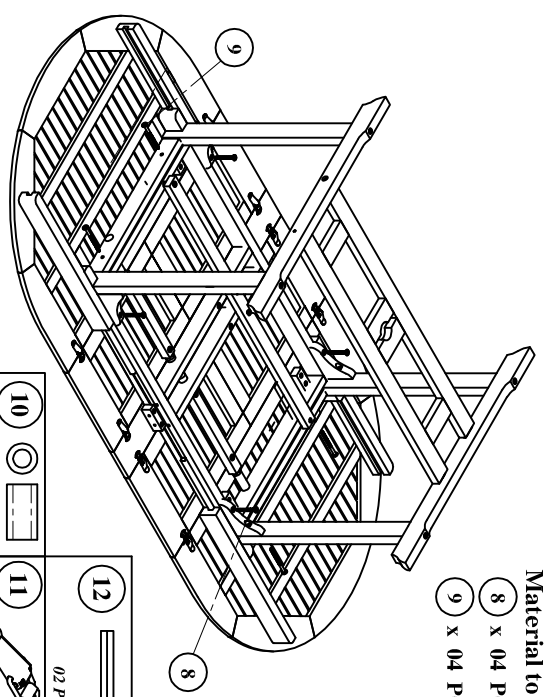
- Material to use**
- D x 01 PC
  - E x 02 PCS
  - G x 02 PCS
  - H x 02 PCS
  - I x 02 PCS
  - J x 02 PCS
  - K x 04 PCS
  - L x 02 PCS
  - M x 04 PCS
  - P x 01 PC
  - 5 x 04 PCS
  - 8 x 08 PCS
  - 6 x 04 PCS
  - 7 x 12 PCS



- Material to use**
- A x 02 PCS
  - B x 02 PCS
  - C x 01 PC
  - F x 04 PCS
  - 1 x 32 PCS
  - 3 x 12 PCS
  - 4 x 16 PCS
  - 7 x 02 PCS
  - 8 x 08 PCS
  - 11 x 08 PCS



- Material to use**
- N x 02 PCS
  - 2 x 08 PCS



- Material to use**
- 8 x 04 PCS
  - 9 x 04 PCS

**84B-323**  
(M4 x 15) x 32 PCS

**1**  
(M4 x 20) x 08 PCS

**2**  
(M4 x 40) x 12 PCS

**3**  
(C8 x 25) x 16 PCS

**4**  
(M7 x 90) x 04 PCS

**5**  
(M7 x 70) x 04 PCS

**6**  
(M7 x 60) x 14 PCS

**7**  
(M6 x 45) x 20 PCS

**8**  
(M6 x 35) x 04 PCS

**9**  
(LDN x 04 PCS)

**10**  
(CR-B) x 08 PCS

**11**  
02 PCS

**12**  
(CR-B) x 08 PCS



ASSEMBLY INSTRUCTION

