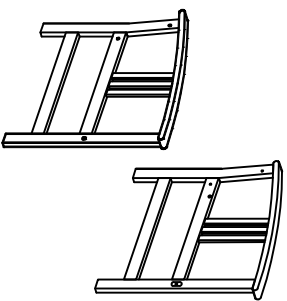
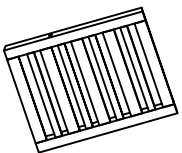


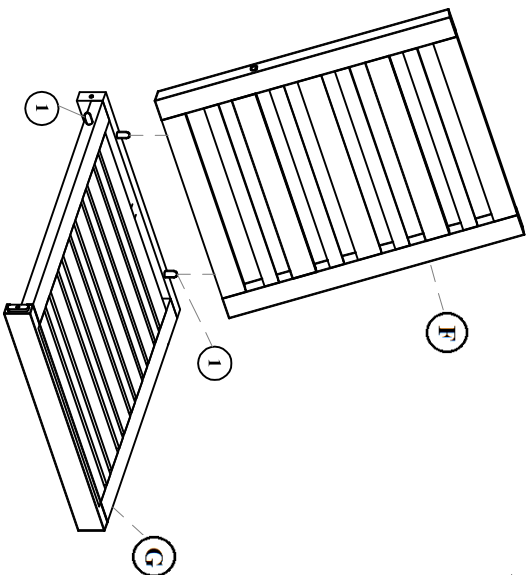
E Frame leg (Left + right)
x 02 PCS



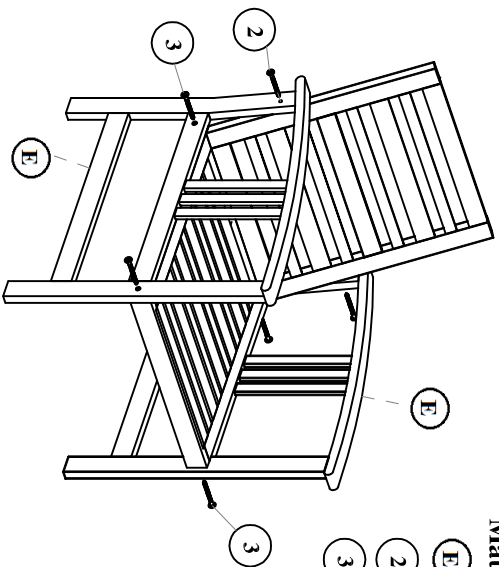
F Frame backrest x 01 PC



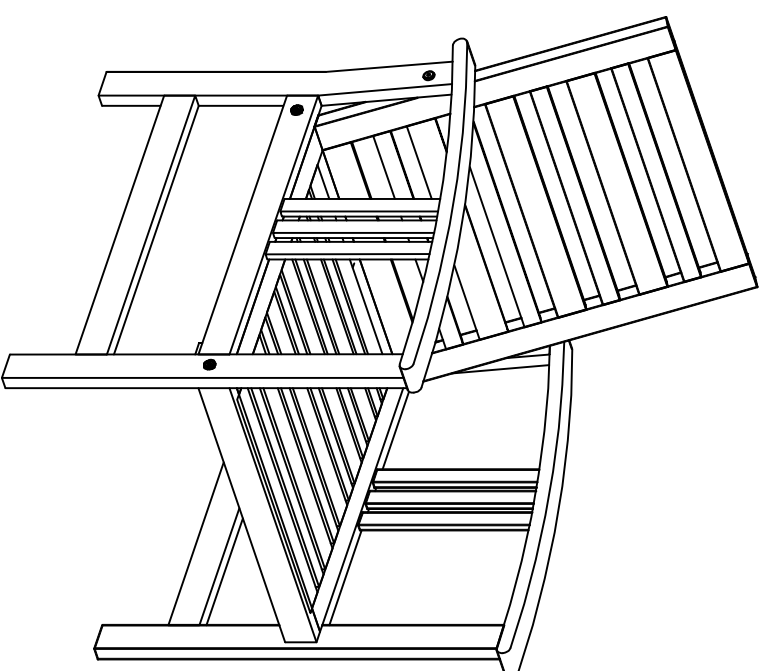
G Frame seater x 01 PC



Material to use
F x 01 PC
G x 01 PC
1 x 04 PCS



Material to use
E x 02 PCS
2 x 02 PCS
3 x 04 PCS



OK

84B-327 / 84B-327V01



(CG Ø10 x 20 mm) x 04 PCS



(M7 x 50) x 02 PCS

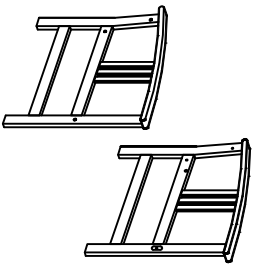


(M7 x 60) x 04 PCS

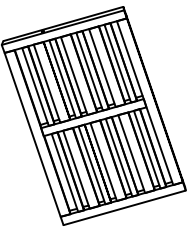


01 PC
ALLEN KEY

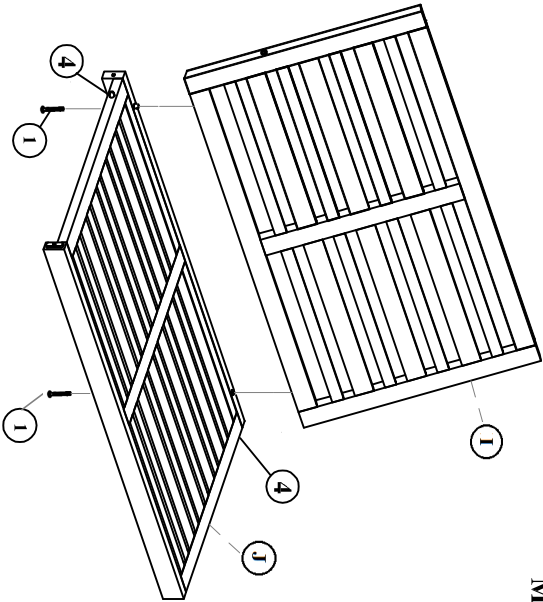
H Frame leg (Left + right)
x 02 PCS



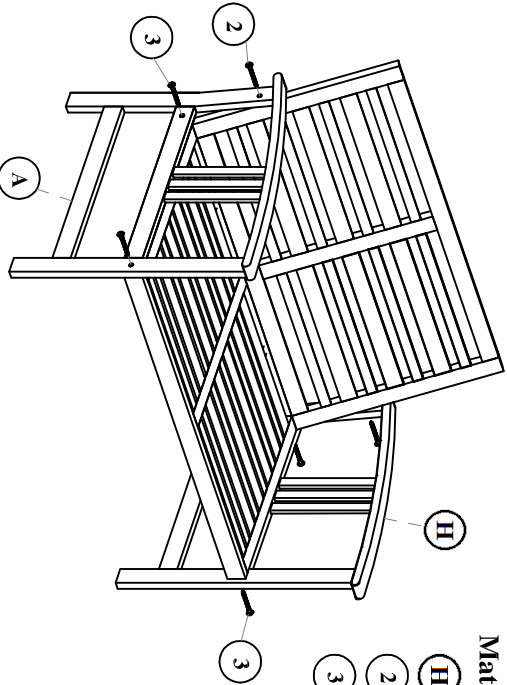
I Frame backrest x 01 PC



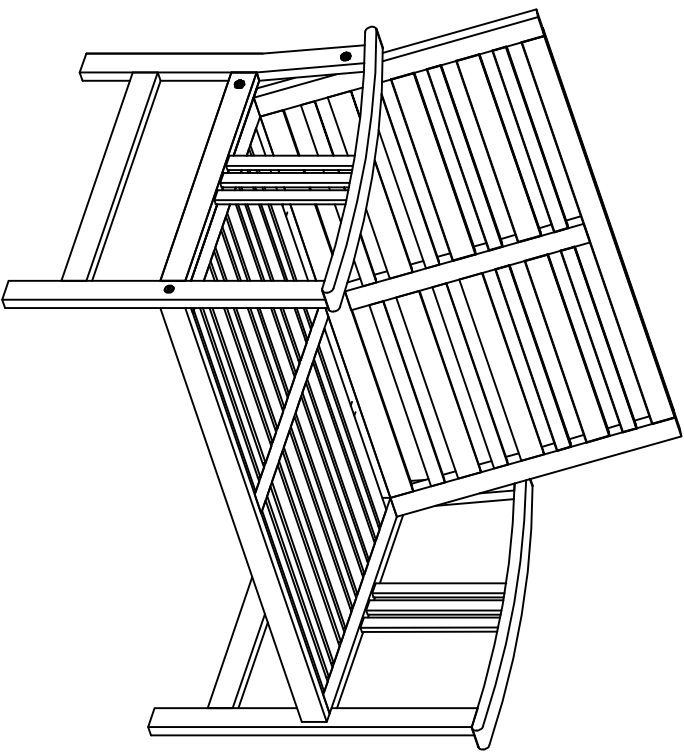
J Frame seater x 01 PC



Material to use
1 x 01 PC
J x 01 PC
1 x 02 PCS
4 x 02 PCS



Material to use
H x 02 PCS
2 x 02 PCS
3 x 04 PCS



84B-327 / 84B-327V01

1



(BL 6 x 60) x 02 PCS

2



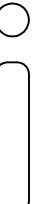
(MT x 50) x 02 PCS

3



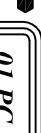
(MT x 60) x 04 PCS

4



(CG 60 x 20 mm) x 02 PCS

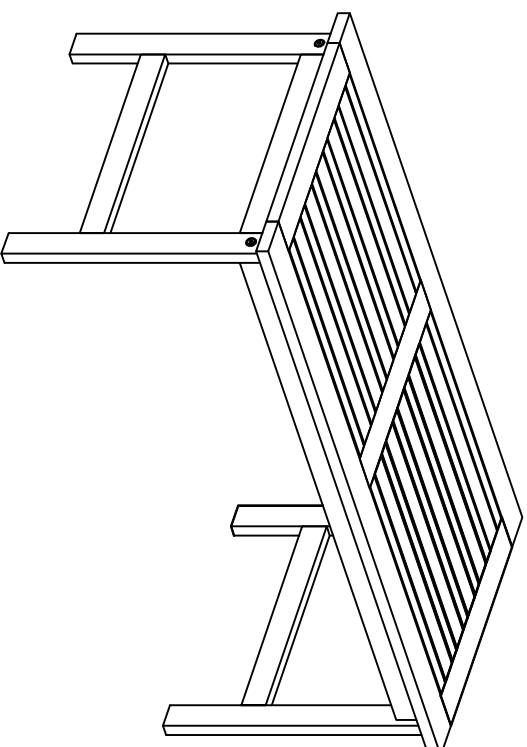
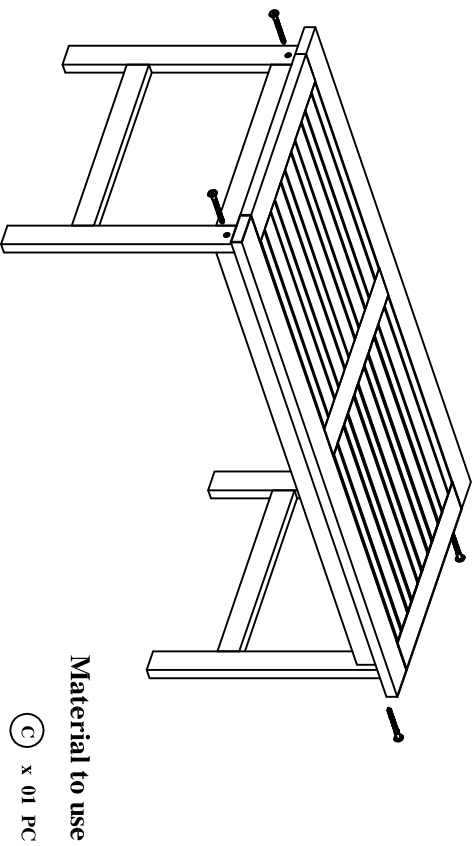
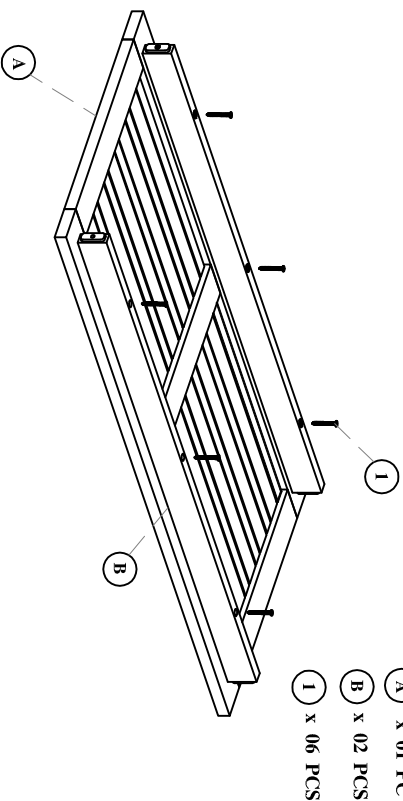
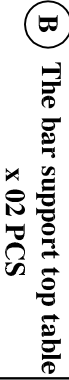
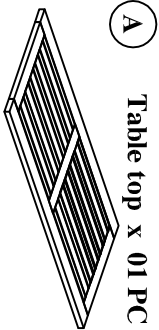
5



01 PC
ALLEN KEY



ASSEMBLY INSTRUCTION



84B-327 / 84B-327V01