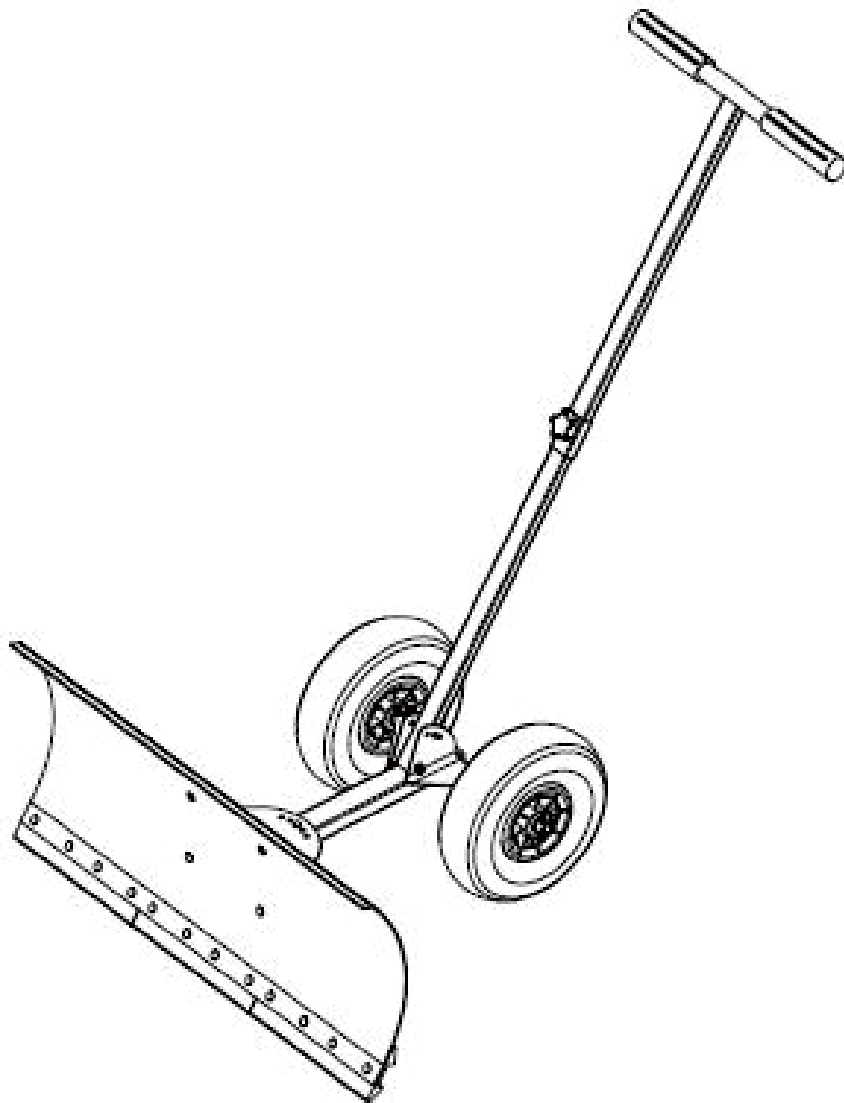




INbh005V02_GL

843-002

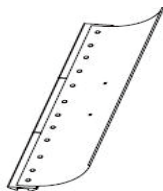


IMPORTANT, RETAIN FOR FUTURE REFERENCE: READ CAREFULLY

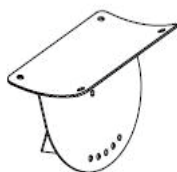
ASSEMBLY & INSTRUCTION MANUAL

PARTS

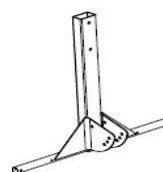
1 x01



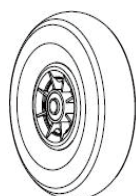
2 x01



3 x01



4 x02



5 x01



6 x01



7 x01



HARDWARE

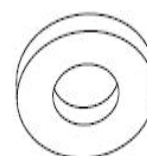
8 x01
M6*45



9 x02
φ 6*45



10 x06
φ 16*φ 6.2*1



11 x06
M6



12 x06
M6



13 x04



14 x04
φ 30*φ 16*2



15 x01
M8*25



16 x04
M6*15



17 x01
M6*40



