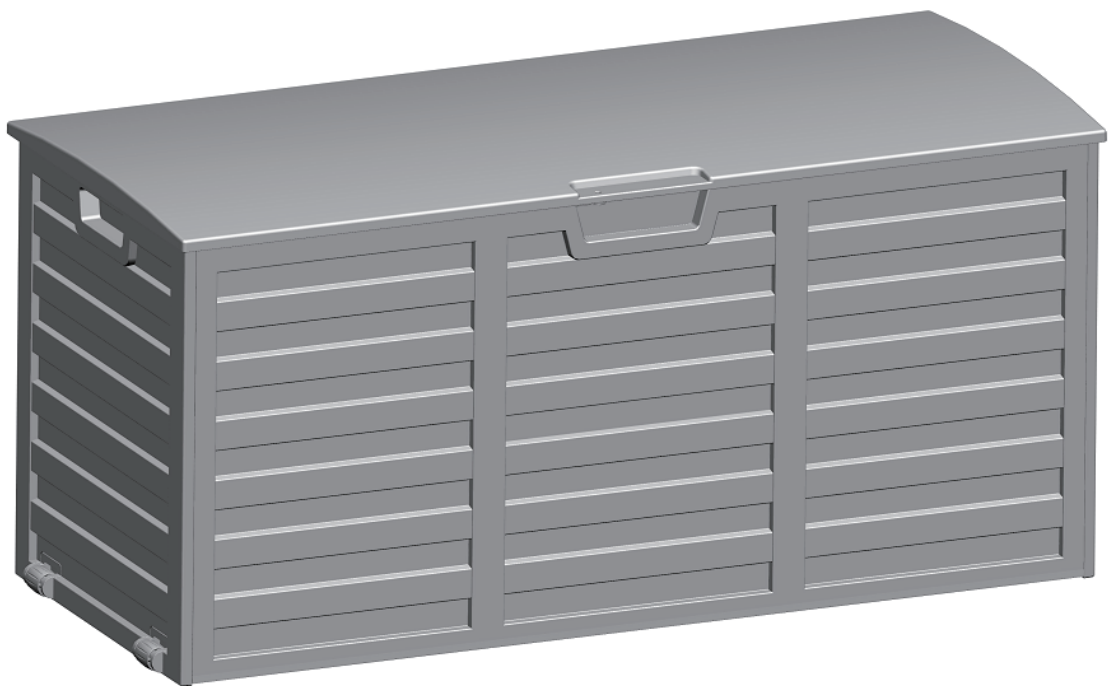




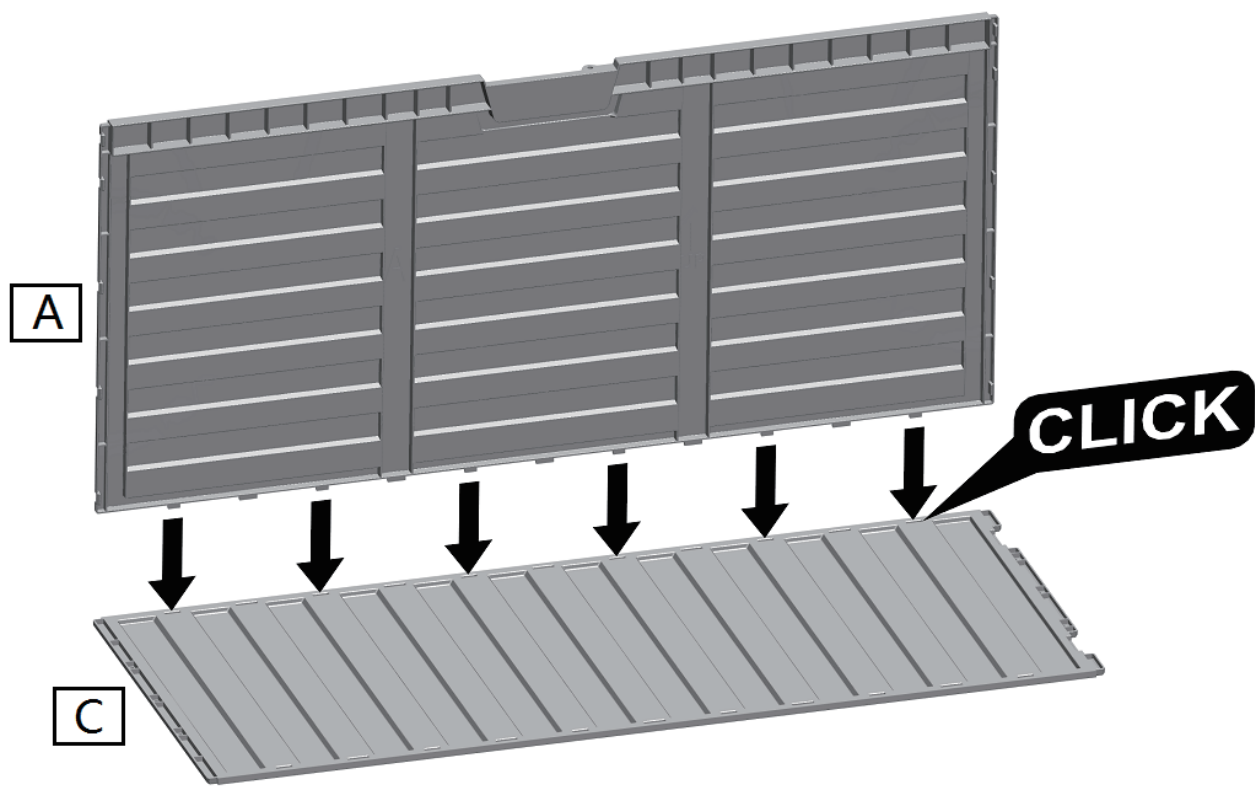
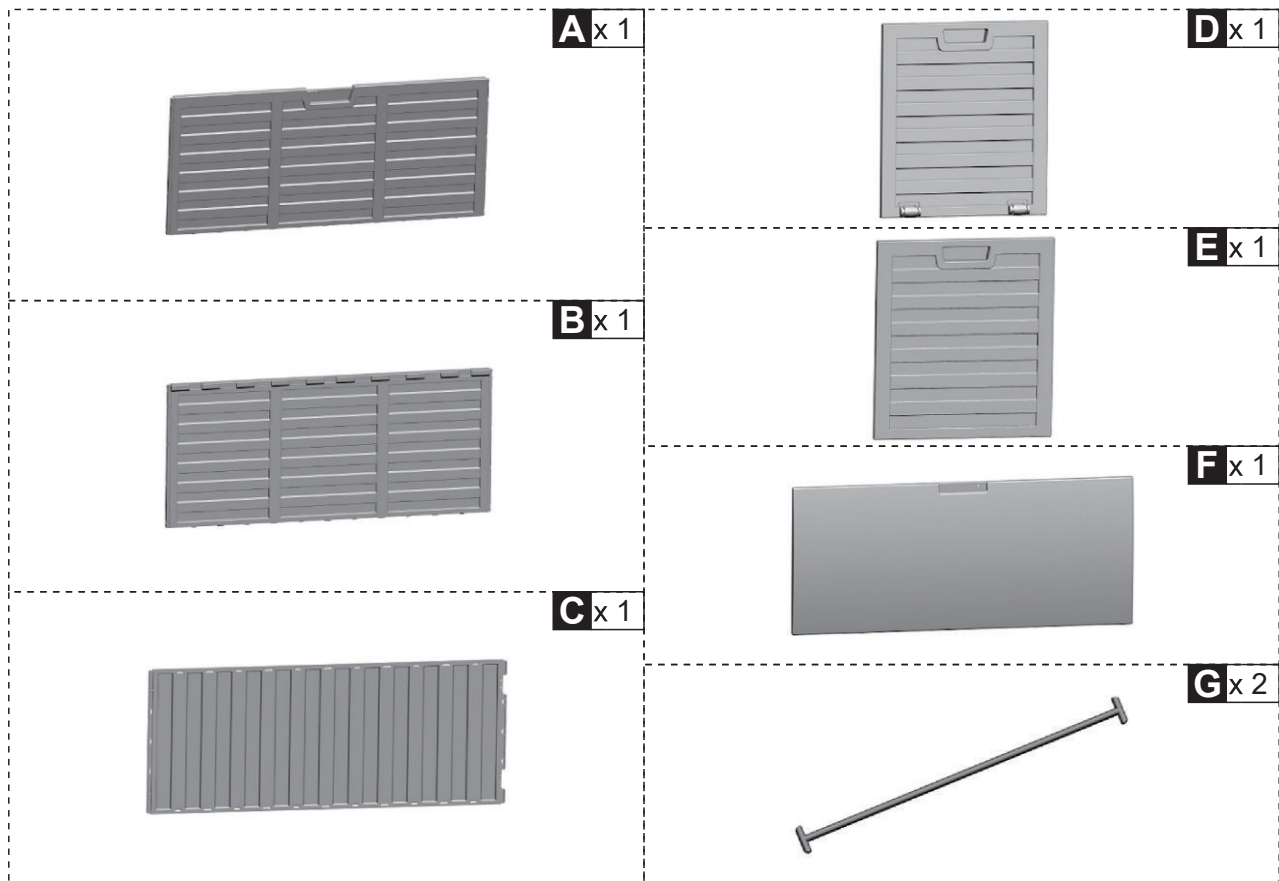
INbhc006V01_GL

84B-562

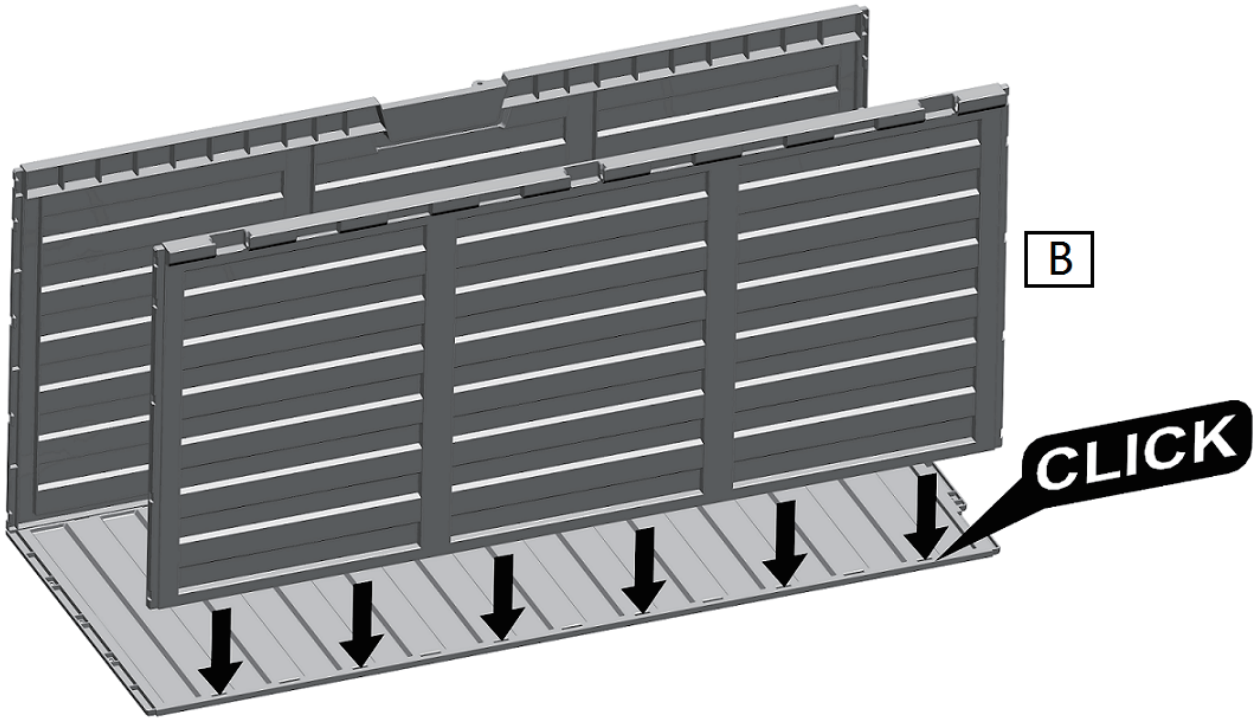


READ AND SAVE THIS INSTRUCTIONS FOR FUTURE USE

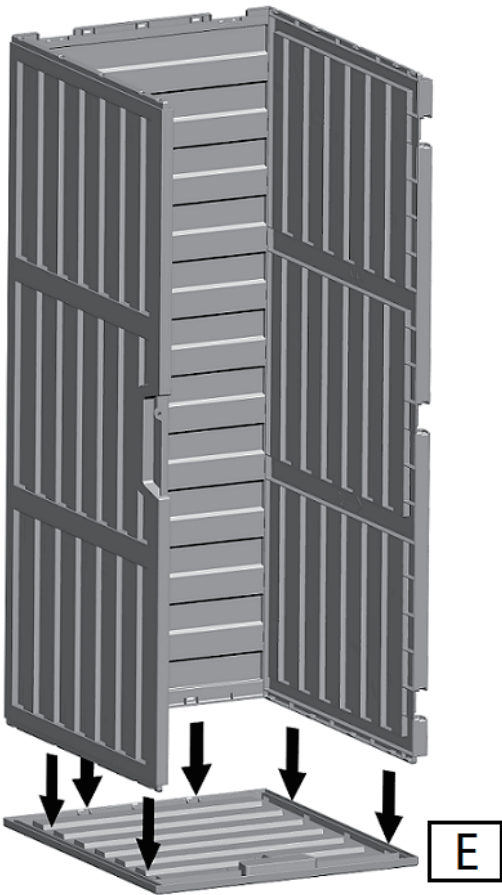
ASSEMBLY & INSTRUCTION MANUAL



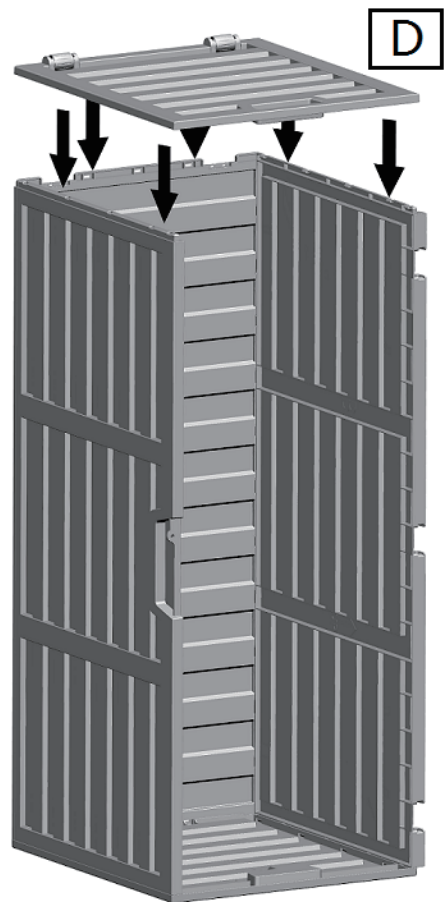
02

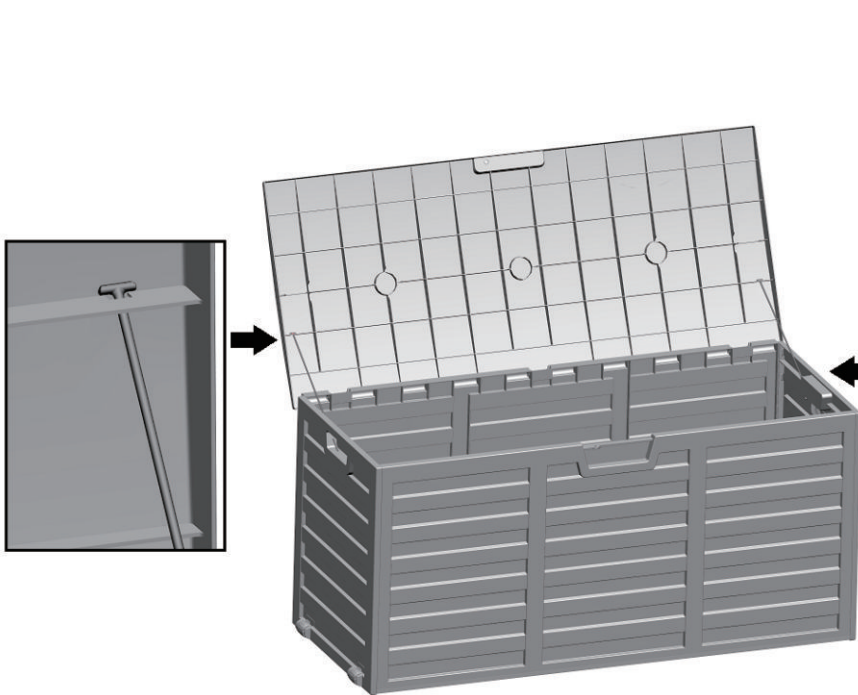
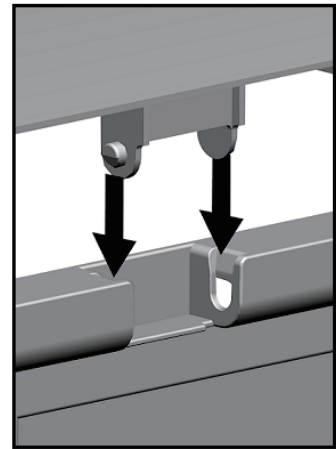
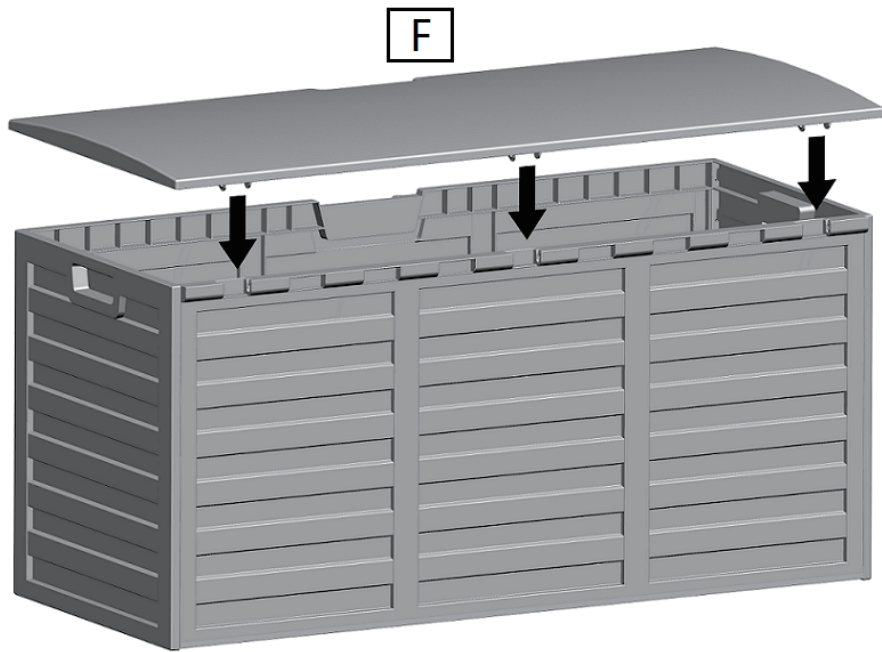


03

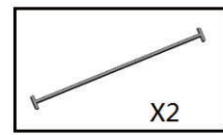


04





G



X2

