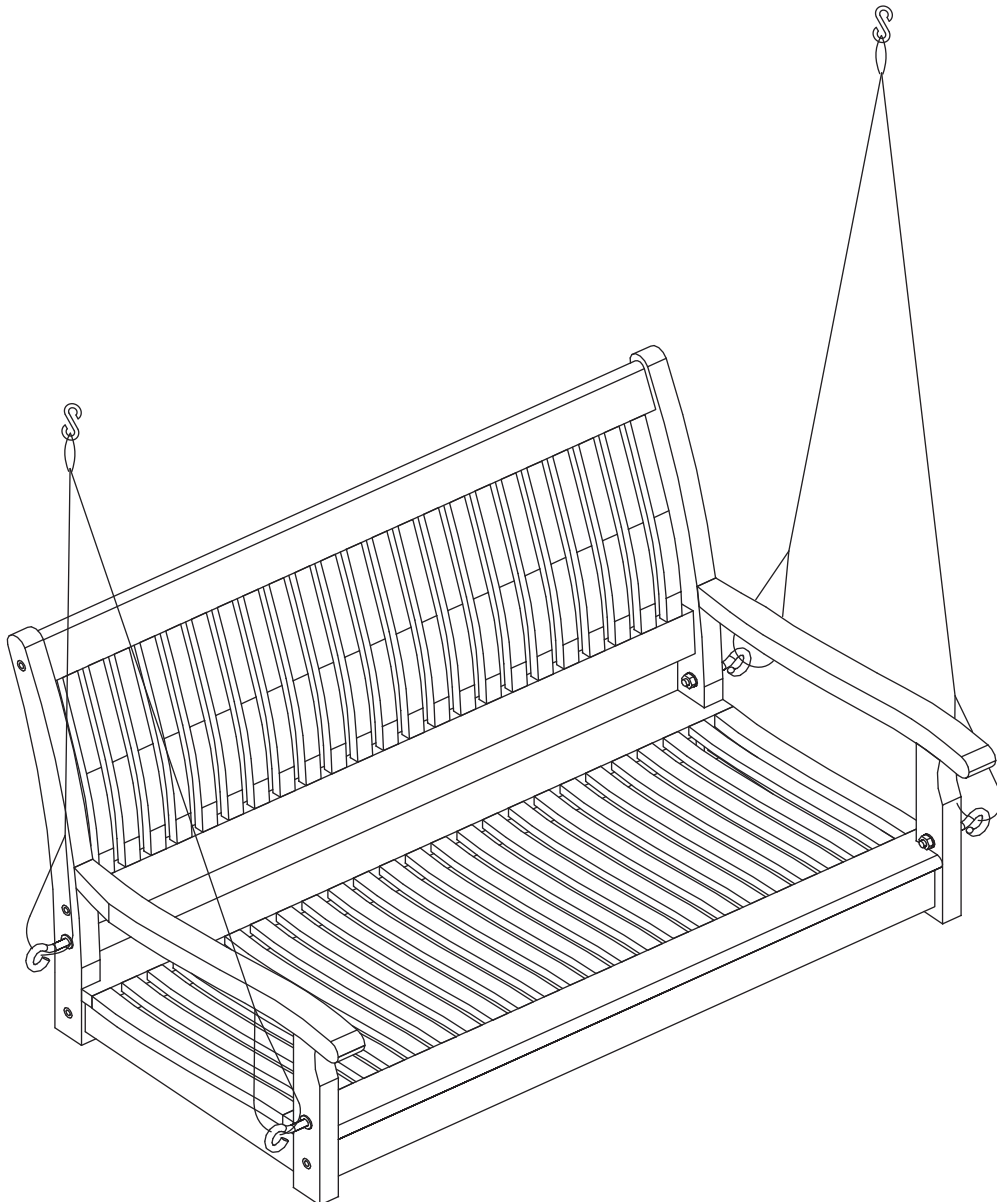




84A-113

C000000



001-877-644-9366
customerservice@aosom.com

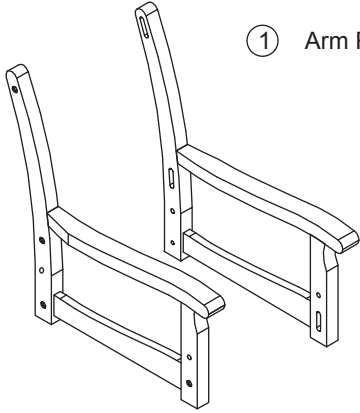


001-855-537-6088
customerservice@aosom.ca

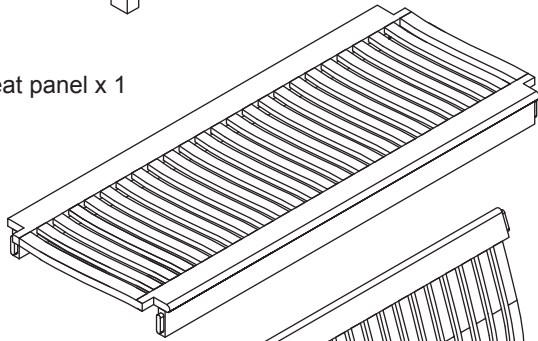
ASSEMBLY INSTRUCTION

COMPONENTS

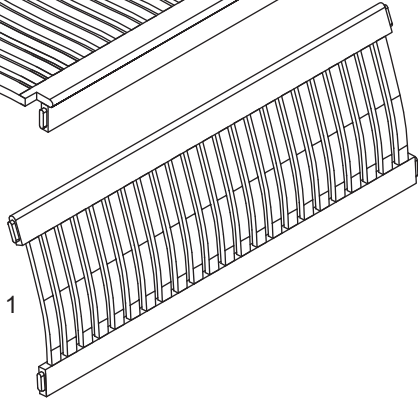
① Arm Rest x 2



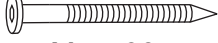
② Seat panel x 1

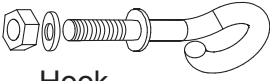



③ Back panel x 1




HARDWARE


A  8 PCS
M7 x 90mm

B  4 PCS
Hook

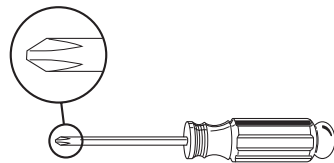
C  2 PCS
Rope

D  2 PCS
S-Hook

E  2 PCS
Allen Key

F  1 PC
Wrench M17

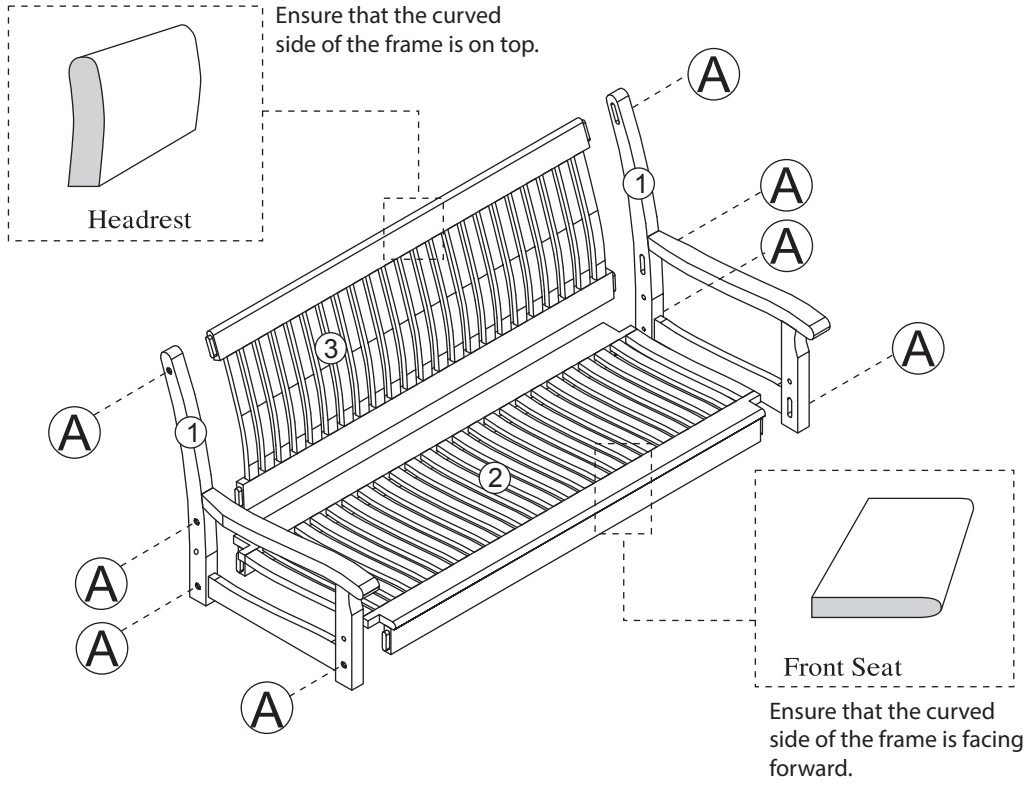
TOOLS RECOMMENDED



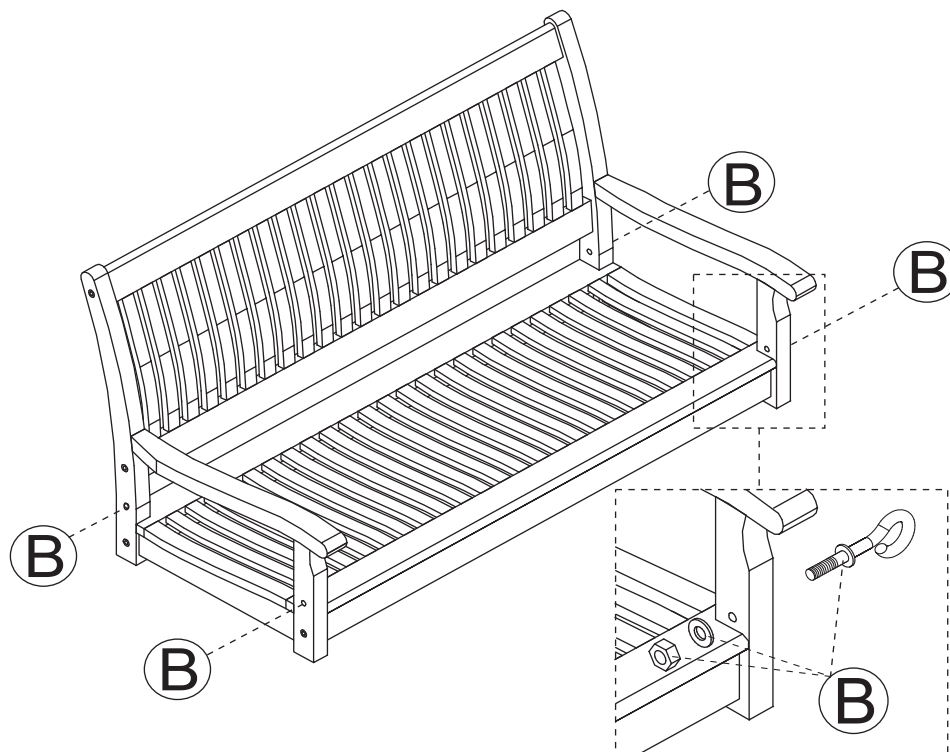
2
Phillips
Screwdriver

Assembly Instructions

STEP 1

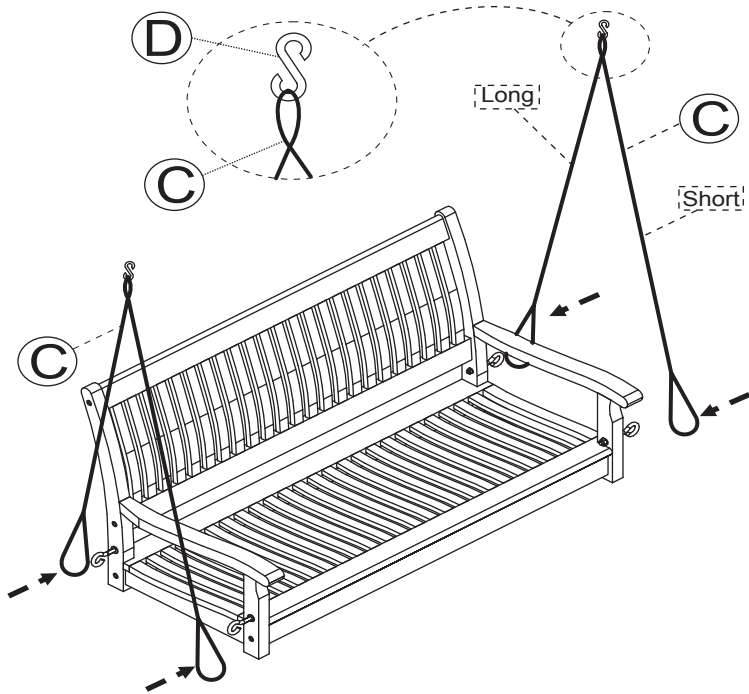


STEP 2



Assembly Instructions

STEP 3



Tightly secure the Rope (C) to the Hooks (B) as indicated, making sure that the short side of the rope faces forward.

