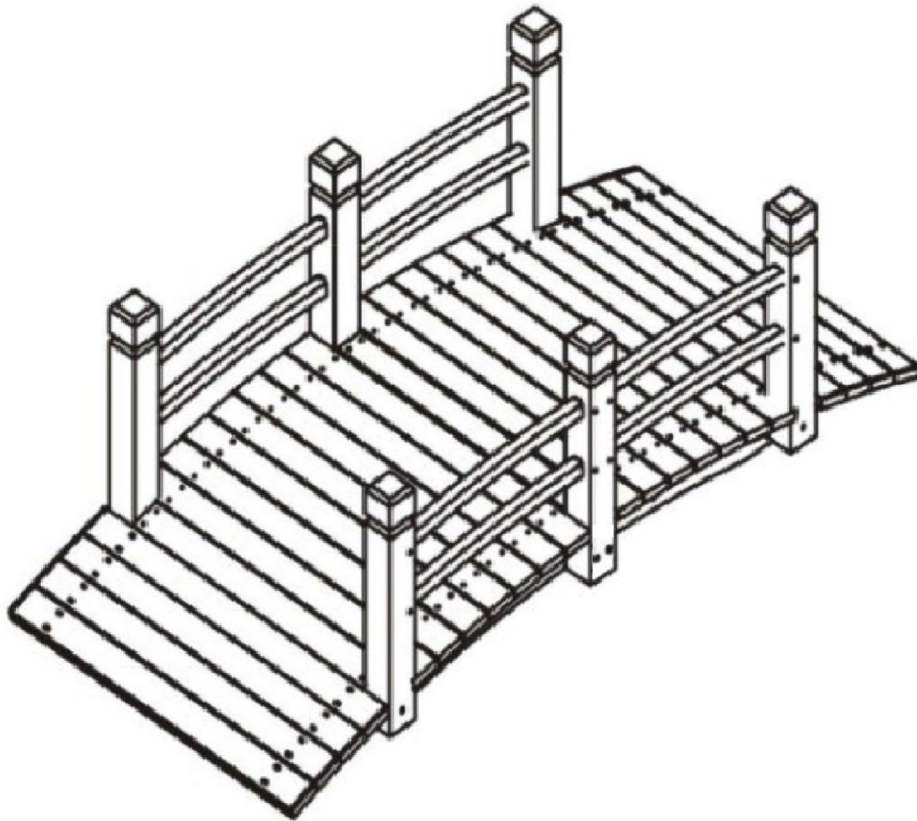




## 5' Wood Plank Garden Bridge with Rails

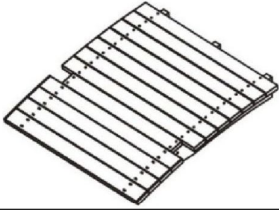
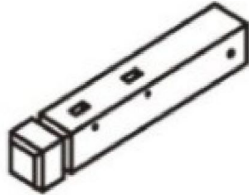
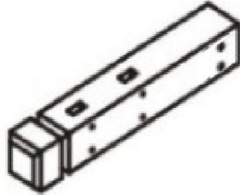
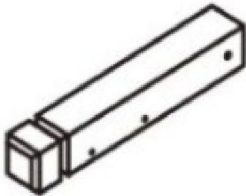

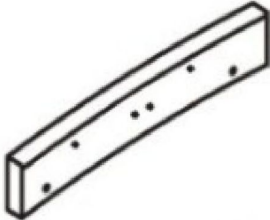

844-132







Note:

- For a stronger assembly, add exterior glue to the ends of the Railing joints (16 places)
- **Danger: Do not overload this bridge. This bridge is NOT RECOMMENDED for weight of more than 450Lbs.**
- **Do not place this bridge over spans where falls could be injurious or fatal.**
- **Do not jump on the bridge.**

**PARTS LIST:**

<p>A. Base Qty: 2</p> 	<p>B. Left Post Qty: 2</p> 	<p>C. Middle Post Qty: 2</p> 
<p>D. Right Post Qty: 2</p> 	<p>E. Rail Qty: 8</p> 	<p>F. Brace Qty: 3</p> 
<p>G. Center Board Qty: 1</p> 		

**HARDWARE LIST:**

<p>1. Large Bolt, Hex Nut, Washer Qty: 4</p> 	<p>2. Medium Bolt, Hex Nut, Washer Qty: 4</p> 	<p>3. Small Bolt, Hex Nut, Washer Qty: 14</p> 	<p>4. Screw Qty: 22</p> 
--	---	--	---

**Note:**

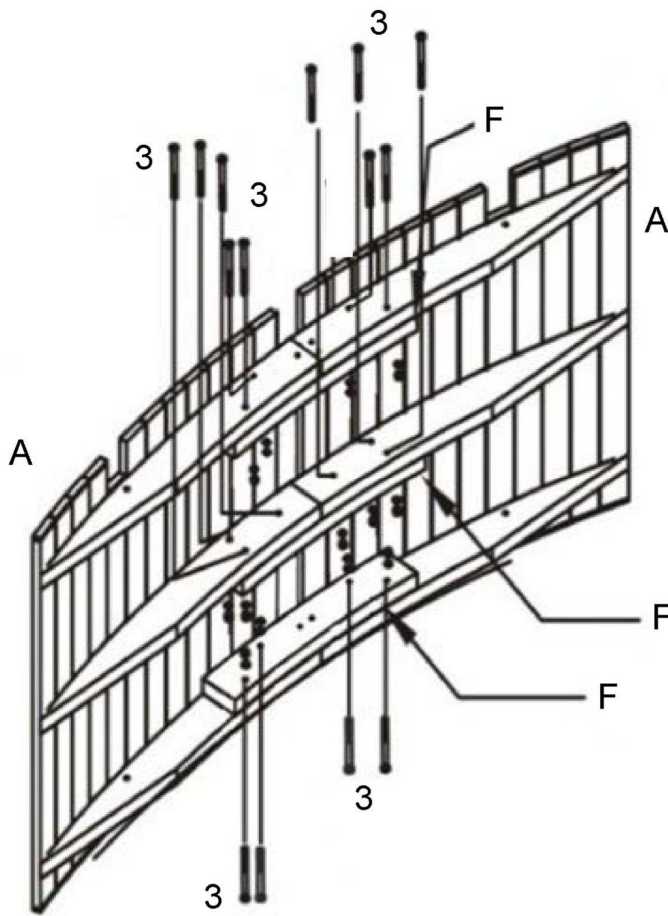
- Read these instructions carefully before assembling. It will help you become familiar with the parts and construction.
- Tools required: Phillips screwdriver, (not included)
- Wait to dispose of the packing material until assembly is complete and all parts and hardware are accounted for. Sometimes a hardware bag can be tricky to find, though they are usually taped to a part.
- Two people might be required for assembly.


**Assembly Tips**

- Find a clean, smooth area on which to work, such as a carpet, in order to avoid scratching the parts.
- Lay out all parts and hardware on the floor or on a table in the order of their number or letter. This will familiarize you with the parts and also help you find a part easier when you're ready to assemble it.
- Usually there is a small sticker on the part with the designating letter or number that matches the letter or number in the instructions. If that sticker is missing, look at the drawing in the instruction parts list, and try to recognize the part by its shape or characteristics like holes or grooves.
- We have provided both text and a drawing in each step, so using both will help the most.
- Each step assembles only a few parts, so just take it one step at a time.

**Step 1:**

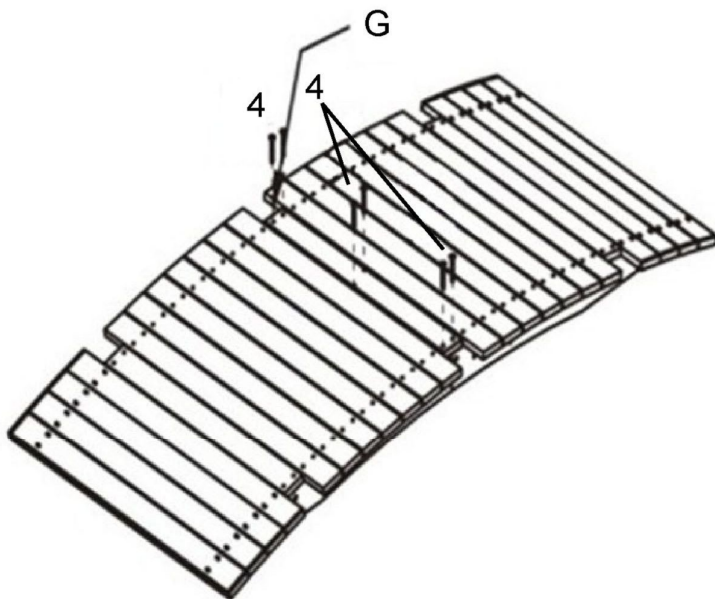
Align the two Bases (A) as shown. Use 14 sets of Small Bolts, Hex Nut, and Washers (3) to attach the three Braces (F) to the Bases.




Item	Drawing	Qty
3		14

**Step 2:**

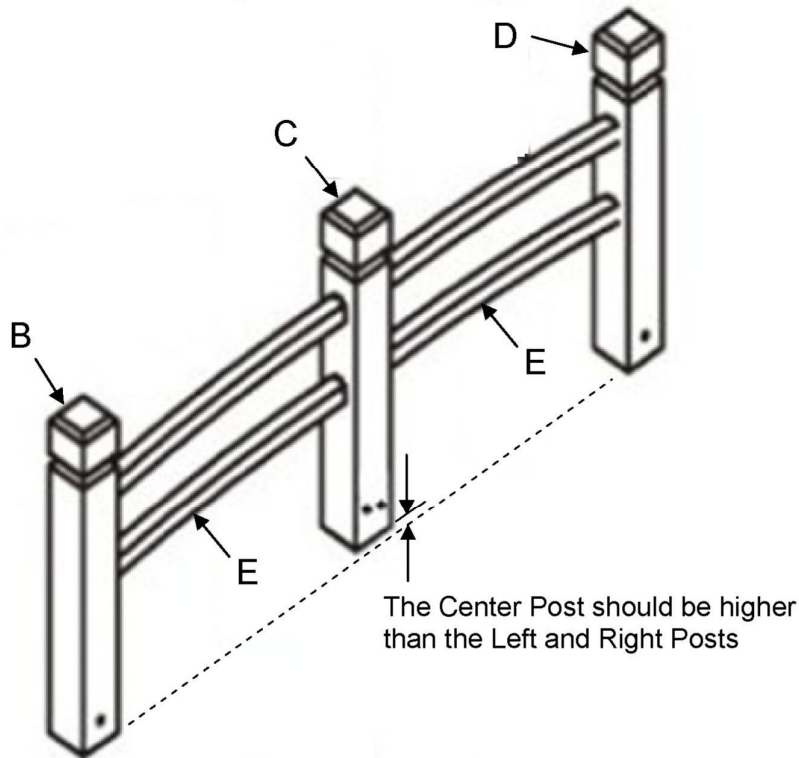
Use six Screws (4) to attach the Center Board (G) in the middle of the bridge as shown.



Item	Drawing	Qty
4		6

**Step 3:**

Insert four Rails (E) into the Left Post (B), Middle Post (C) and Right Post (D) as shown. Be sure the Rails are oriented so they slope downward away from the Middle Post because the Middle Post is higher on the Bridge. Repeat to make the second hand rail.

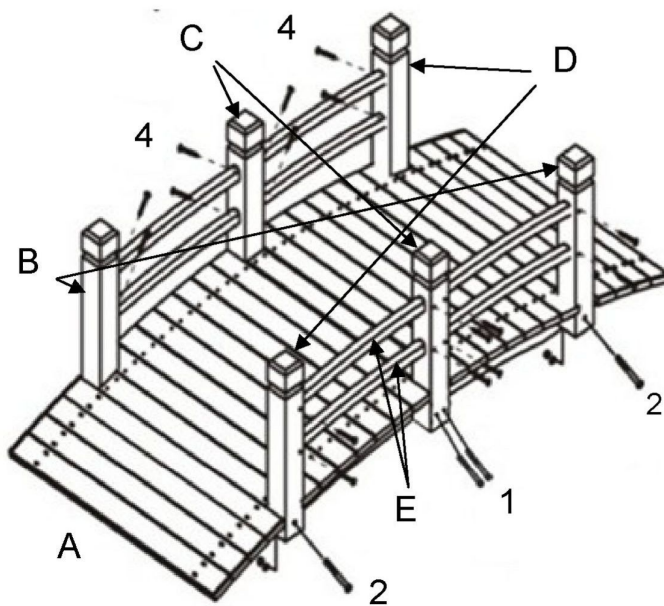


**Step 4:**

Loosely attach the two assemblies from Step 3 (Posts B, C, & D) to the Base assembly from Step 2. Use 4 sets of Medium Bolts, Hex Nuts and Washers (2) on the four end Posts (B & D) and 4 sets of Large Bolts, Hex Nuts, and Washers (1) on the two Middle Posts (C).

Use 16 Screws (4) to secure the Rails (E) to the Posts (B, C, & D).

Tighten all Bolts that hold the Posts to the Bases.



Item	Drawing	Qty
1		4
2		4
4		16