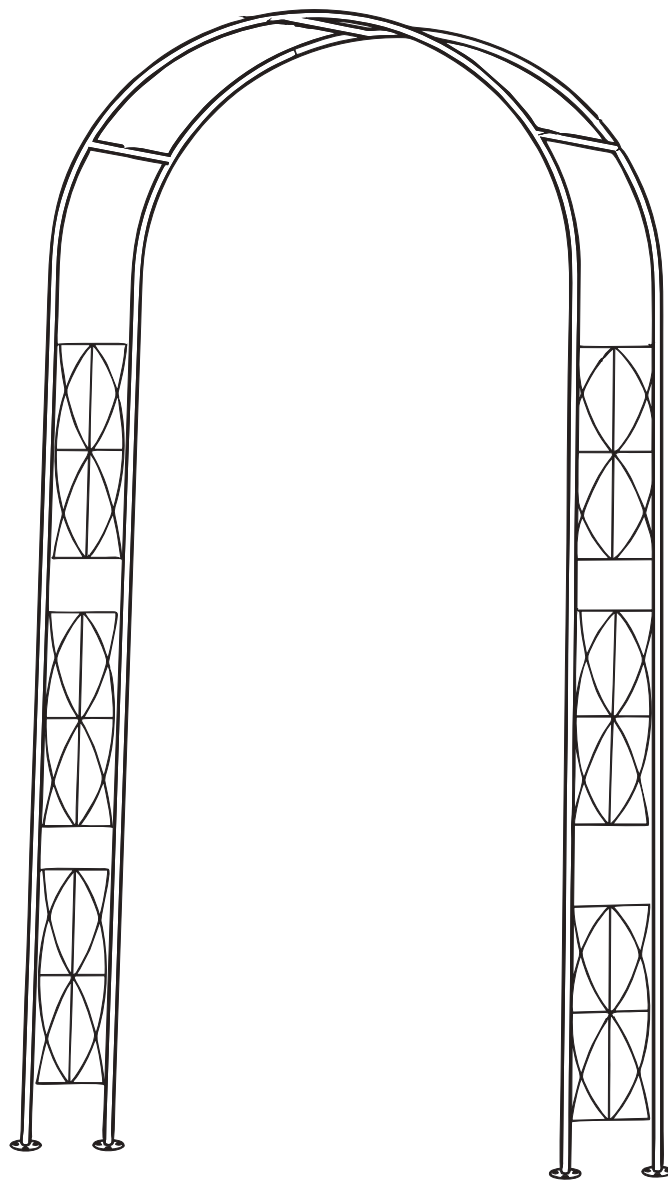


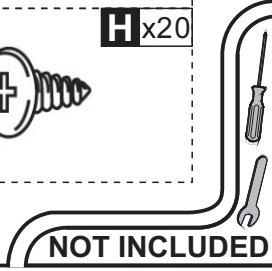
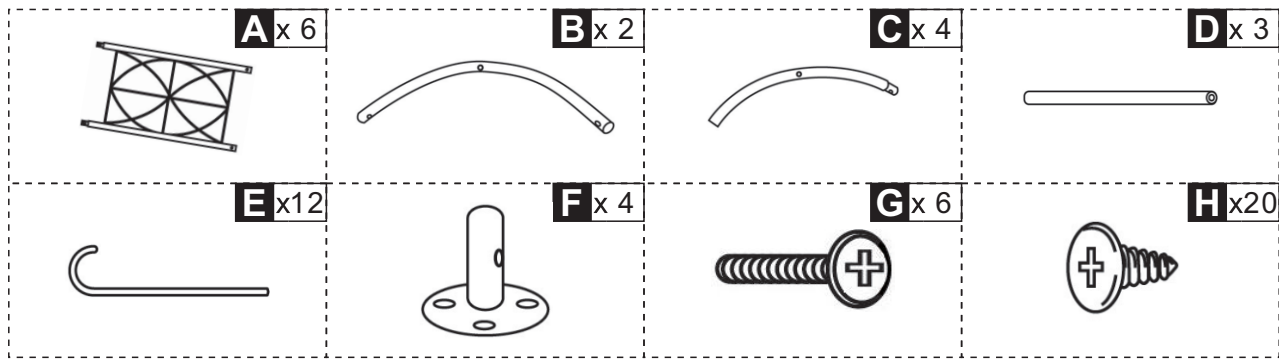


GL C000000

844-281



ASSEMBLY INSTRUCTION



B x 1 C x 2 H x 2

01

x2

done

02

A x 1 F x 2 H x 2

03

x2

A x 1 H x 2

STEP 03

04

x2

A x 1 H x 2

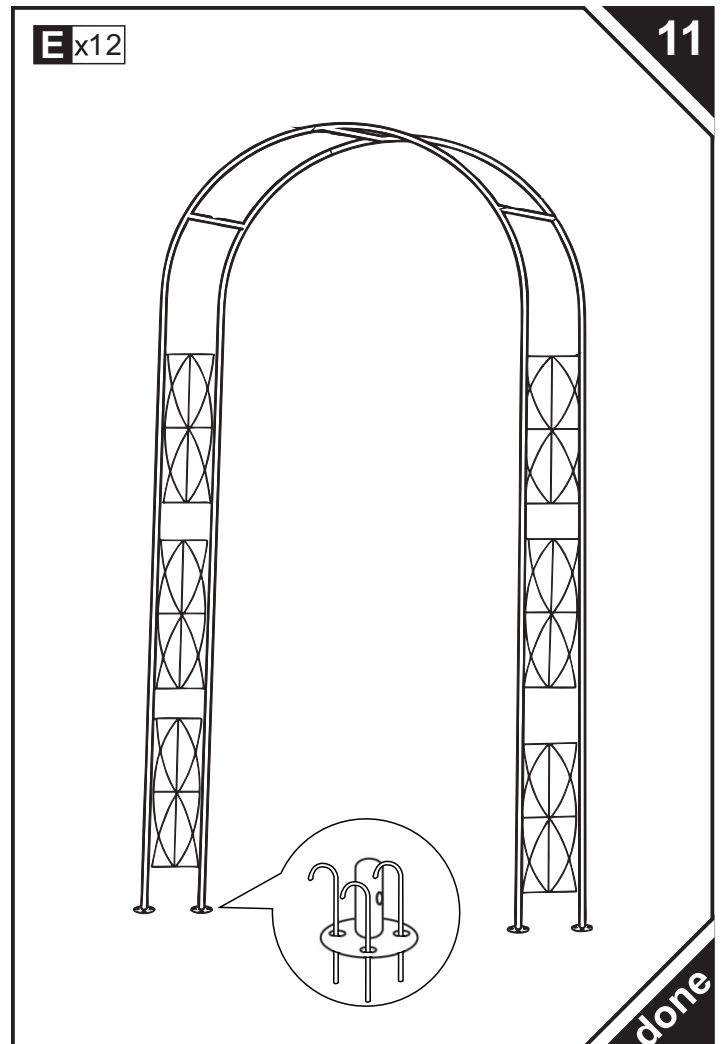
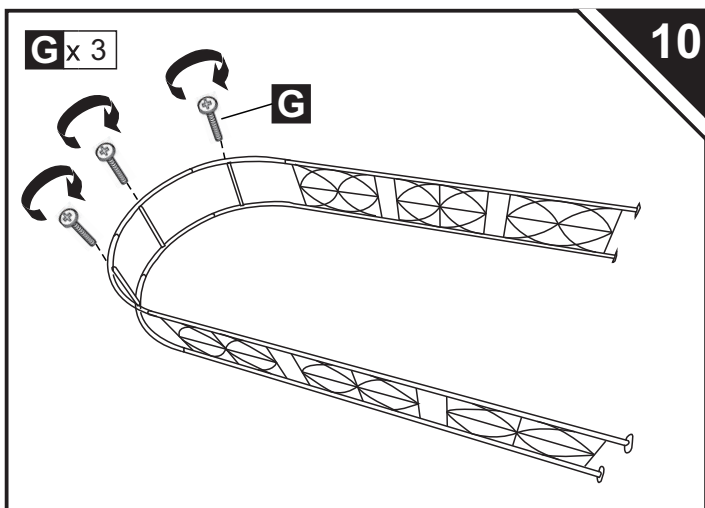
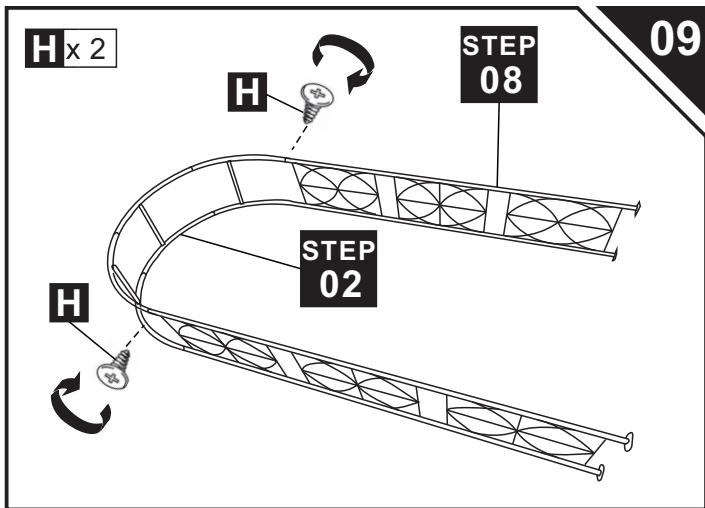
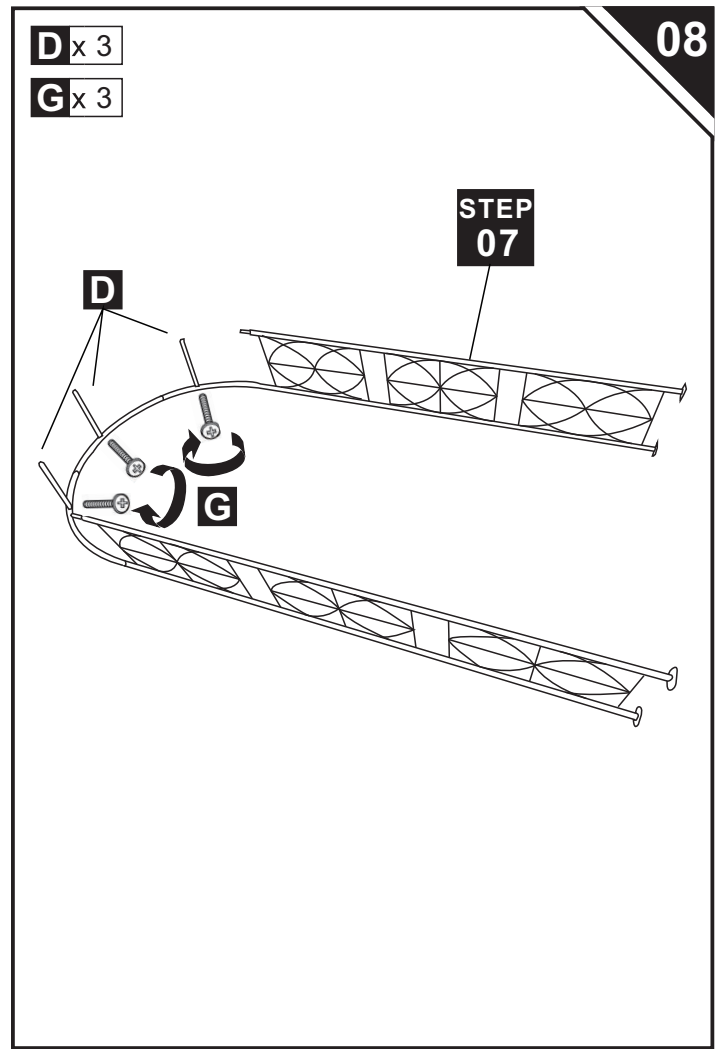
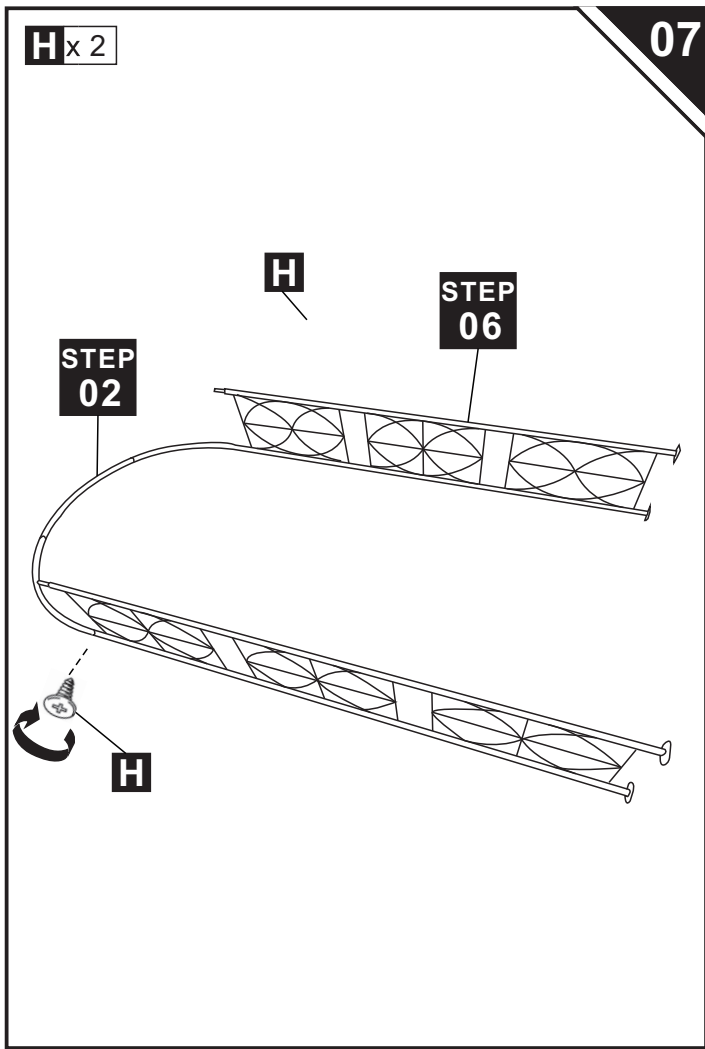
STEP 04

05

x2

done

06



US



001-877-644-9366
customerservice@aosom.com

CA



001-855-537-6088
customerservice@aosom.ca

UK



0044-800-240-4004
enquiries@mhstar.co.uk

DE



0049-(0)40-88307530
service@aosom.de

FR



0033-1-84166106
contact@aosom.fr

ES



0034-931294512
atencioncliente@aosom.es

IT



0039-0249471447
clienti@aosom.it