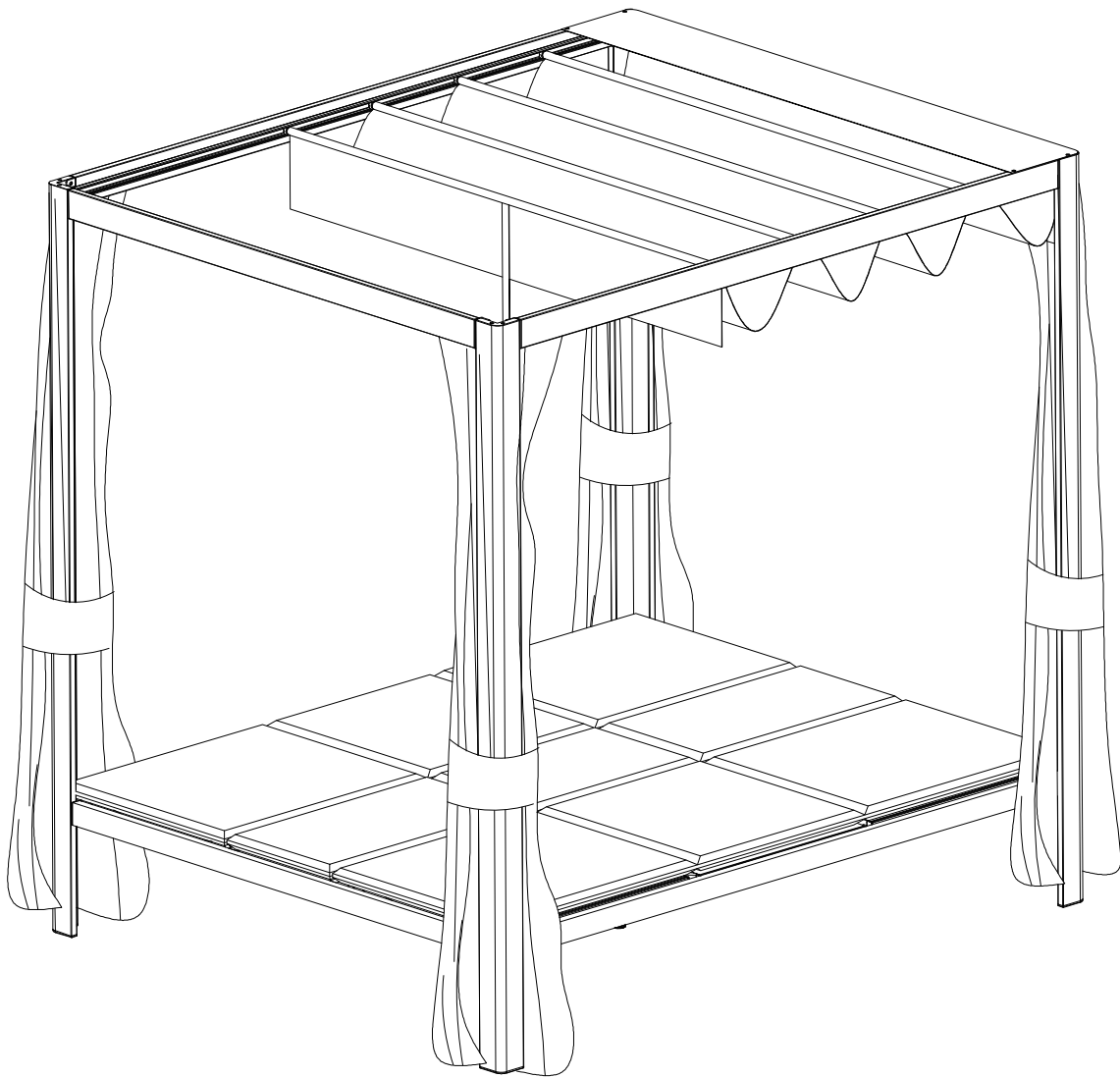




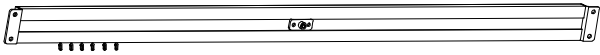









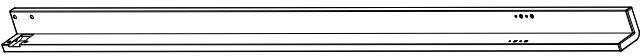

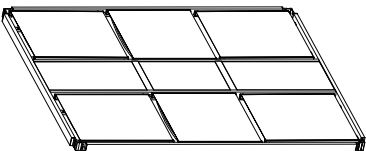
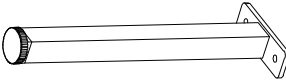
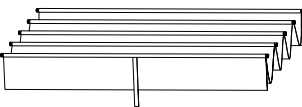
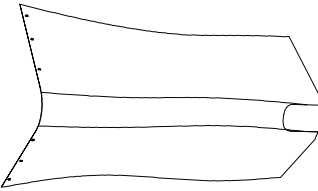
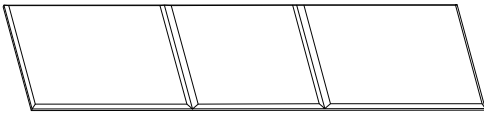



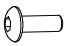

INbla040_GL

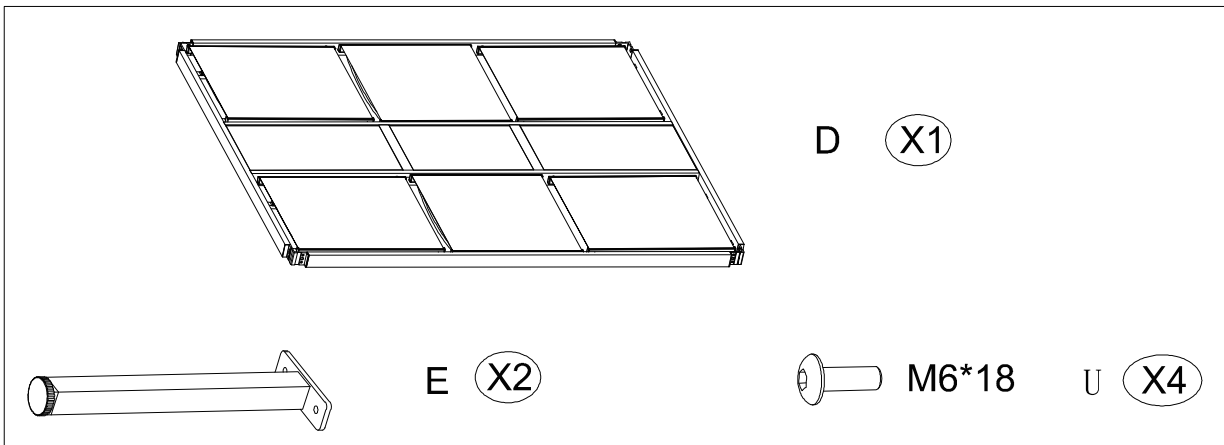
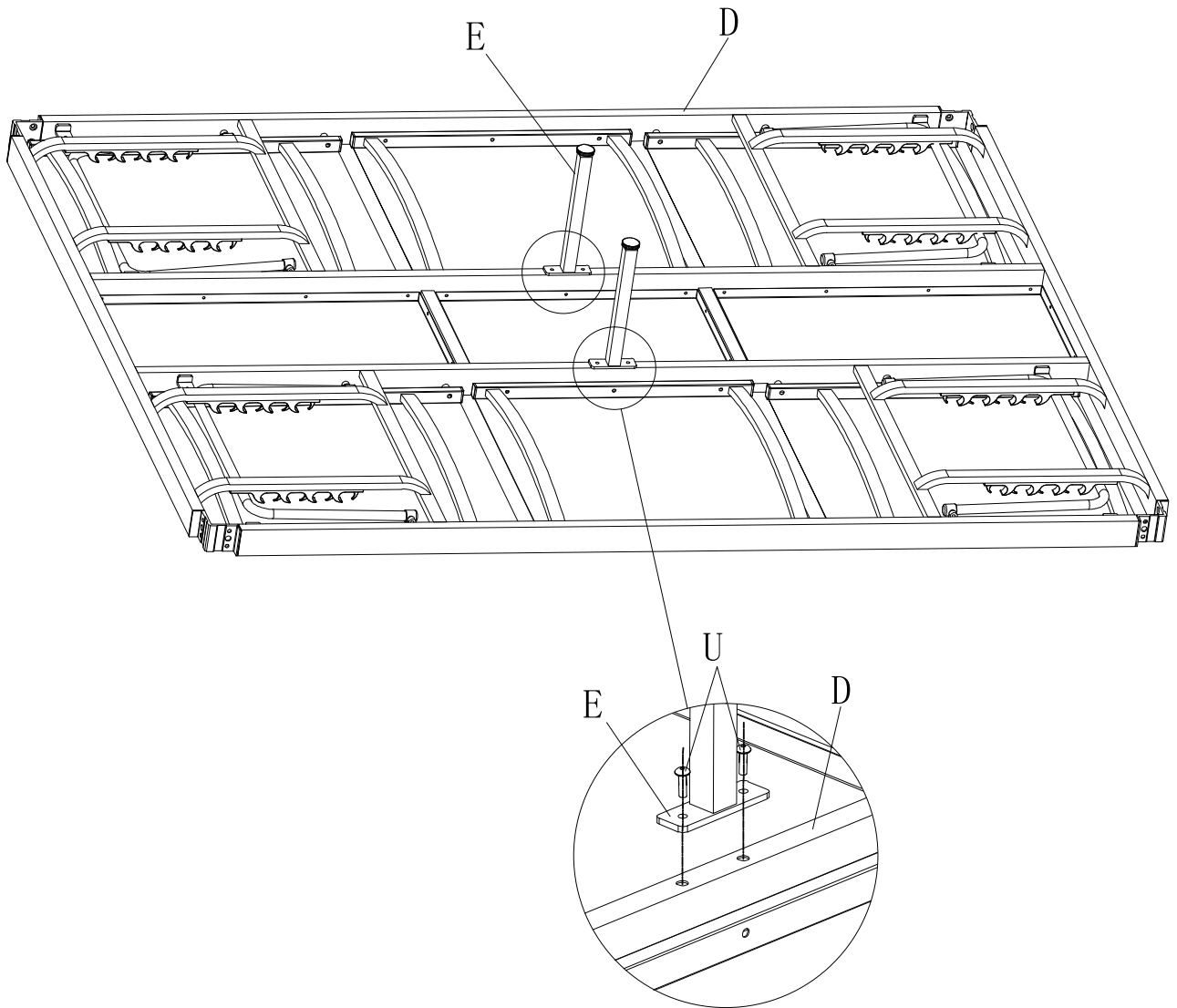
84B-604

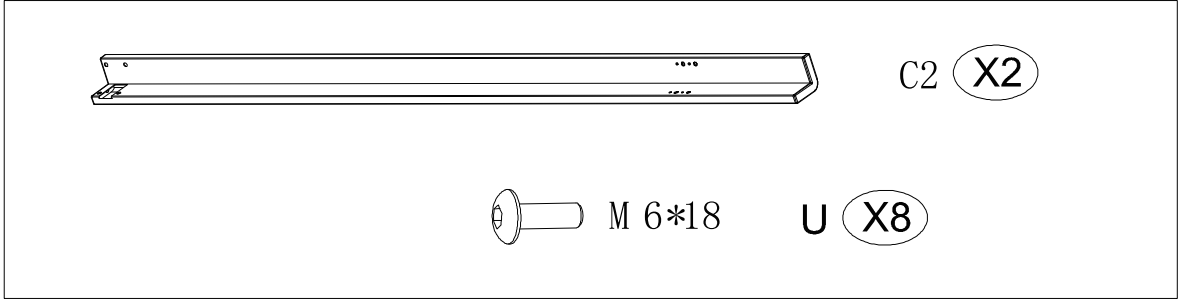
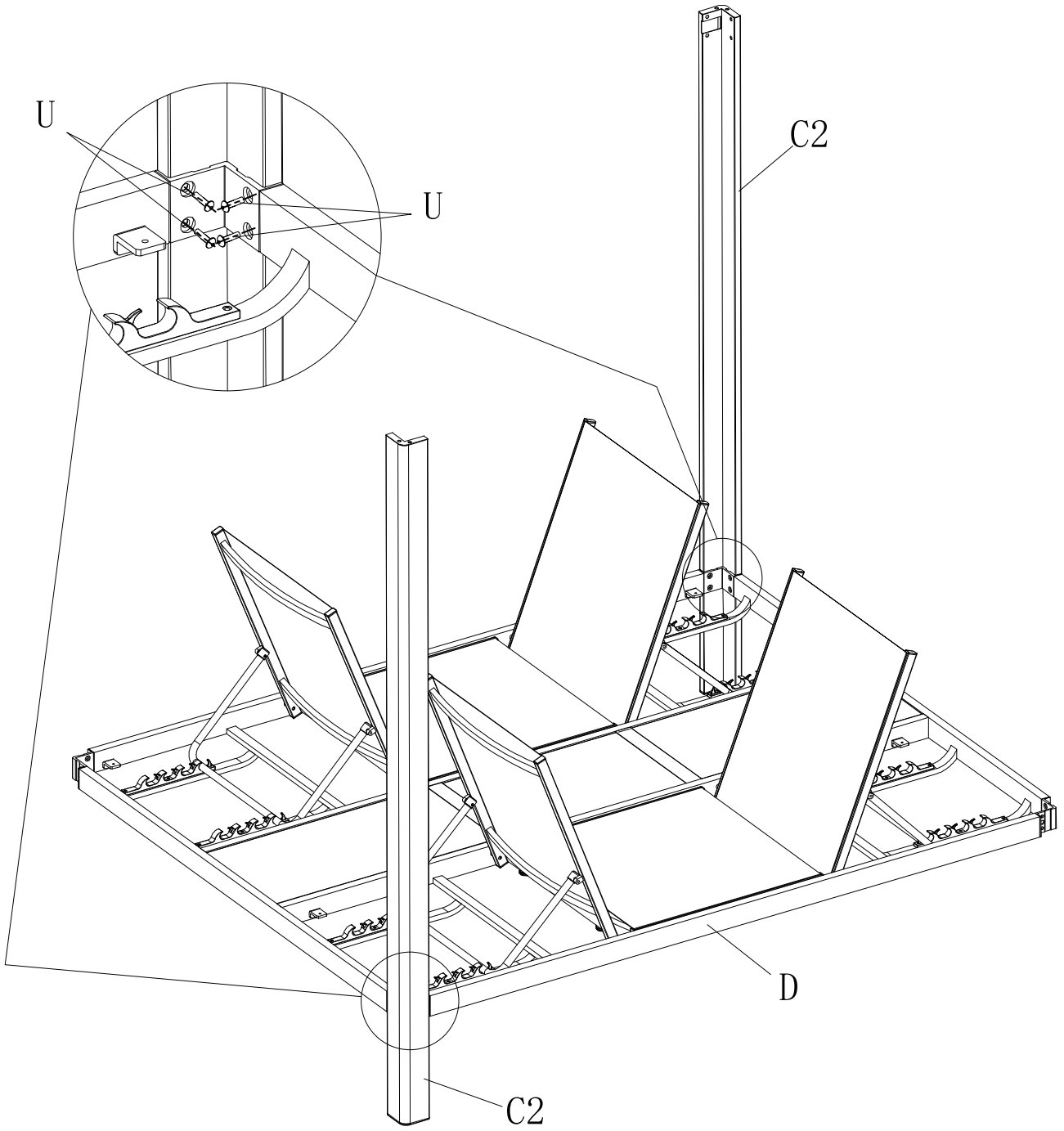


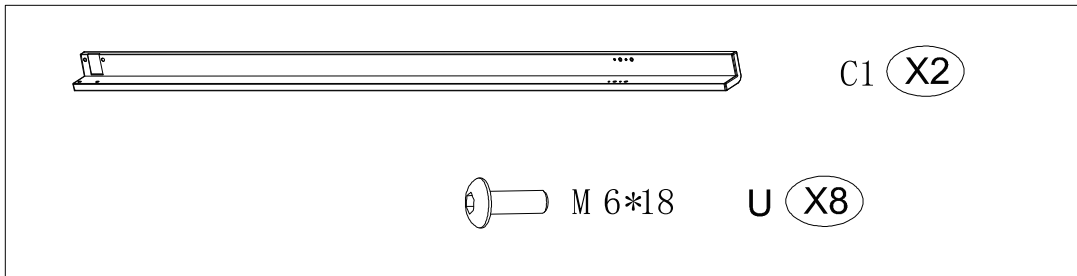
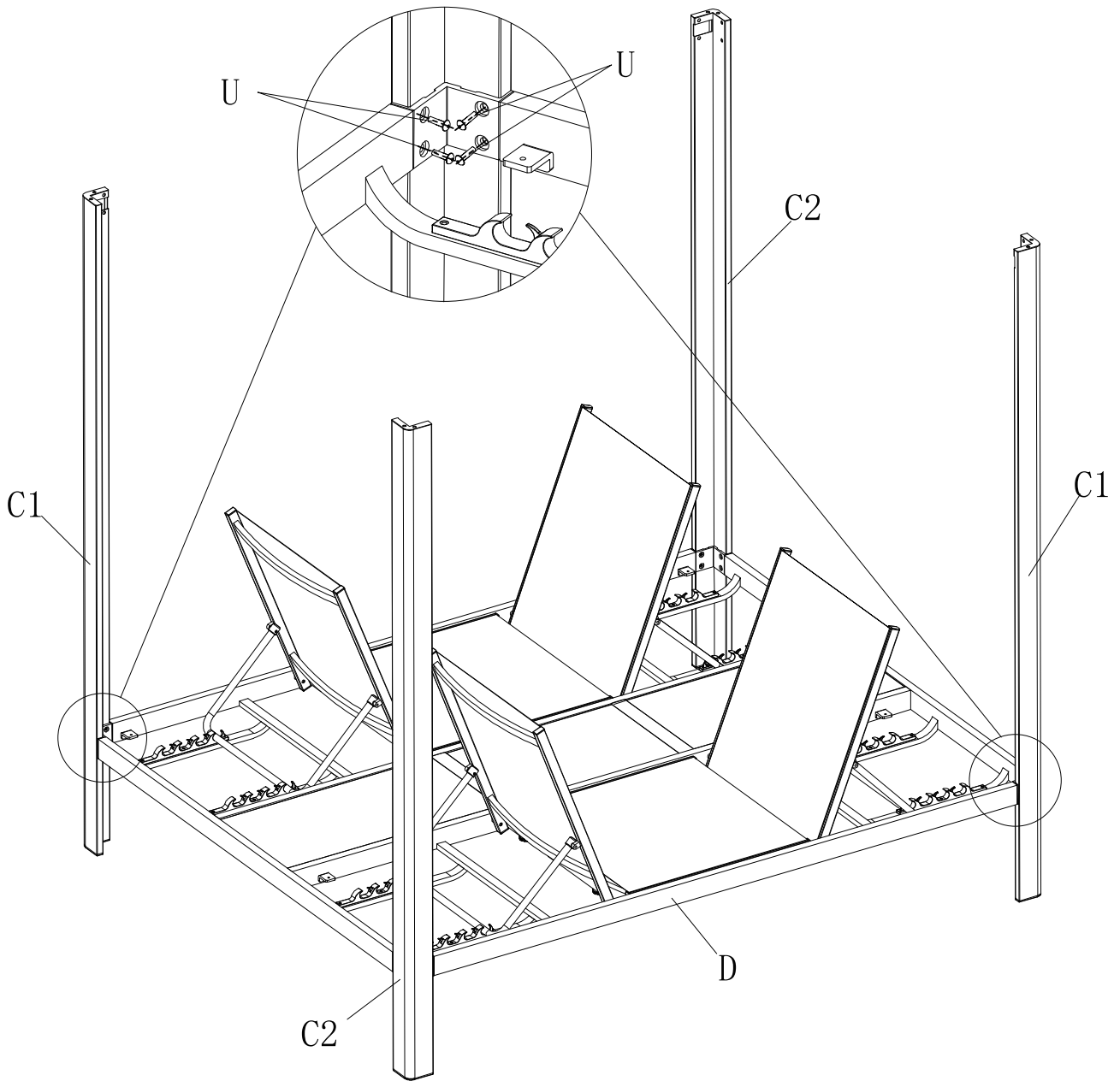
READ AND SAVE THIS INSTRUCTIONS FOR FUTURE USE

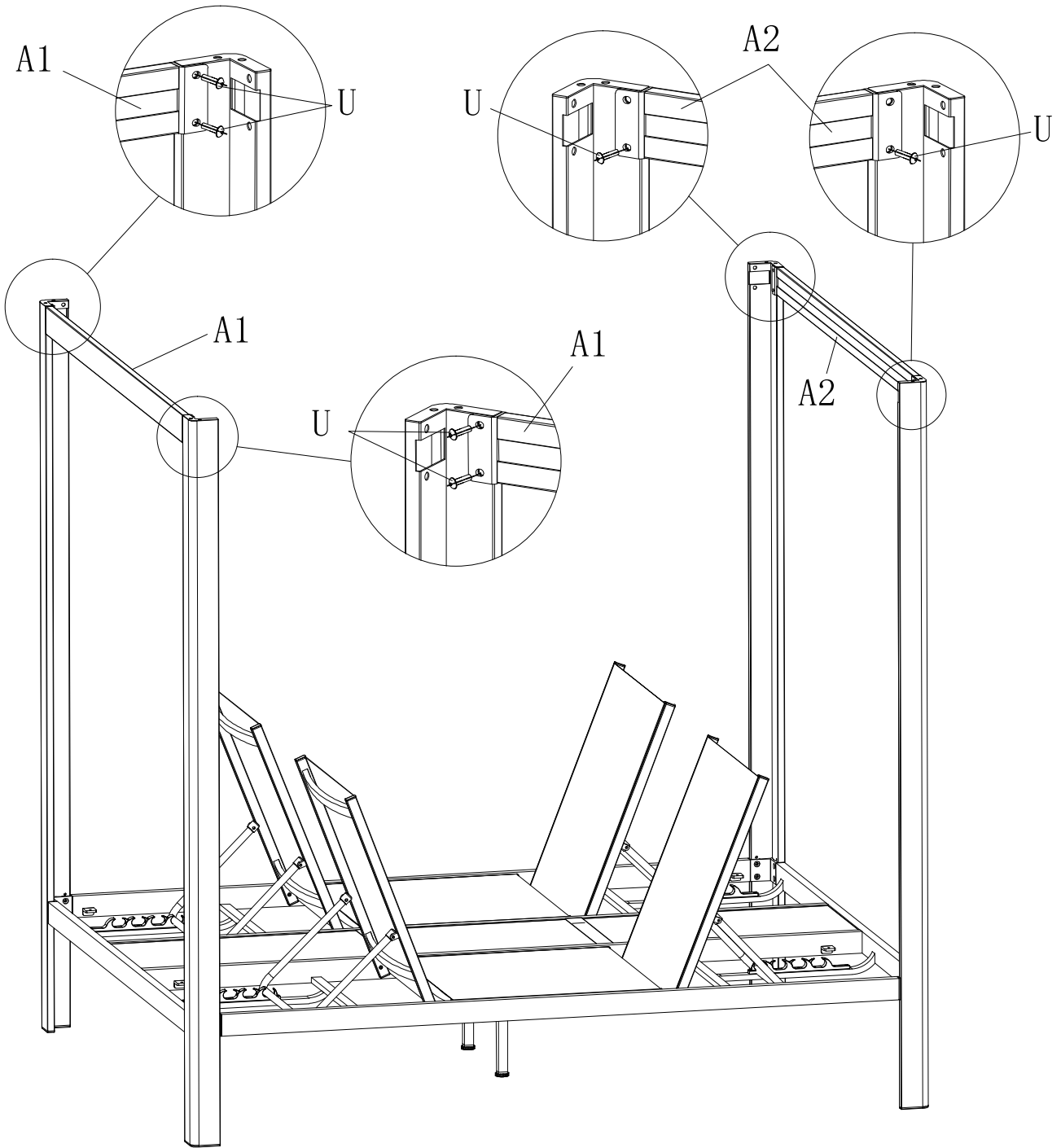
ASSEMBLY & INSTRUCTION MANUAL

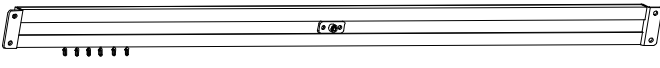
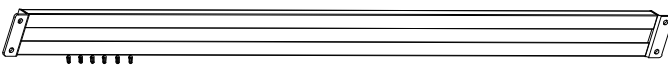
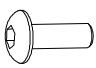
PCE	PIECE	QTY	DIM
A1	 	1	
A2	 	1	
B1	 	1	
B2	 	1	
C1	 	2	
C2	 	2	
D		1	
E		2	
F		1	
G		4	
H		2	
J		1	
K		1	
L		2	
U	 M6*18	40	
V	 4	2	

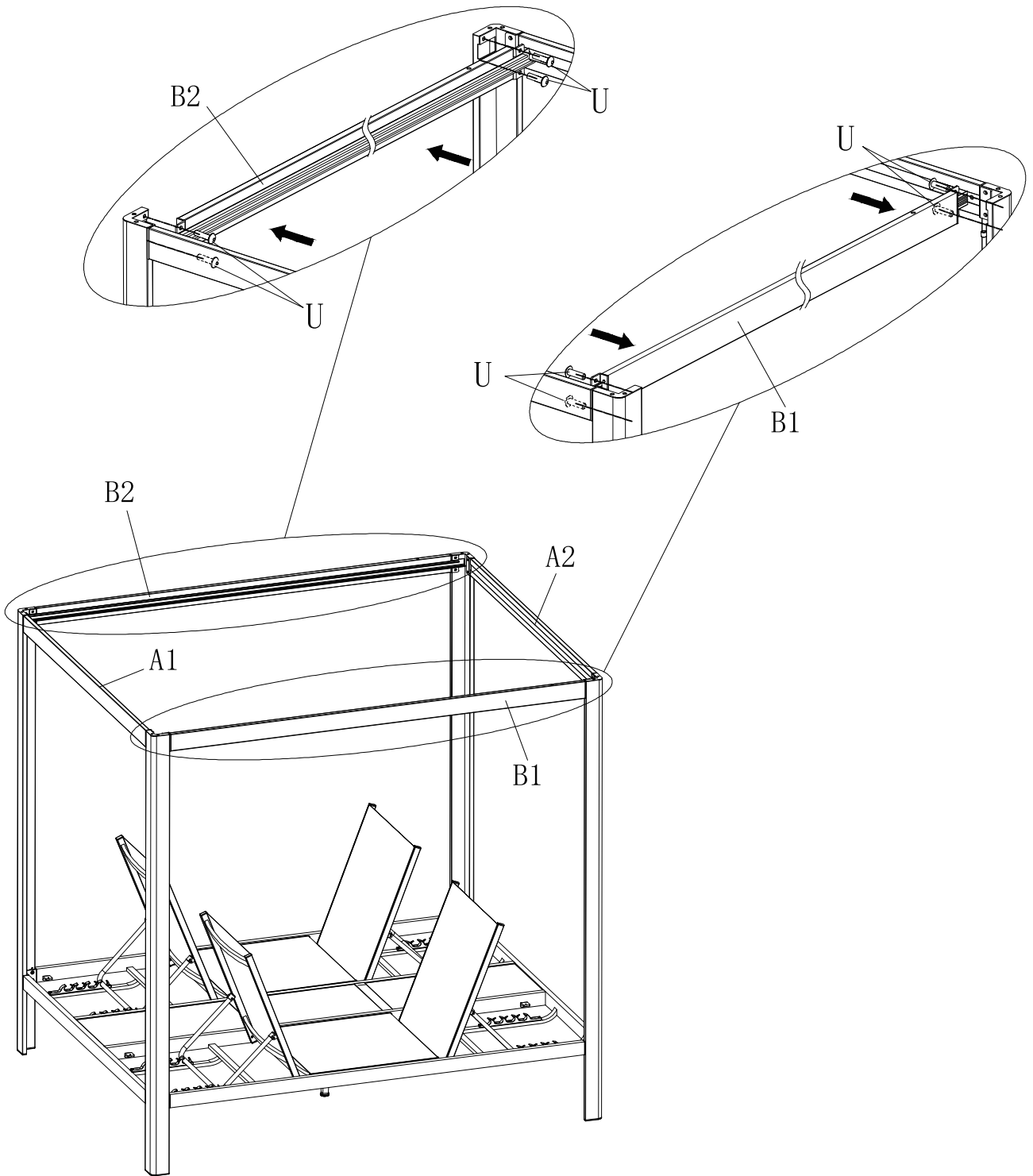




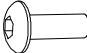



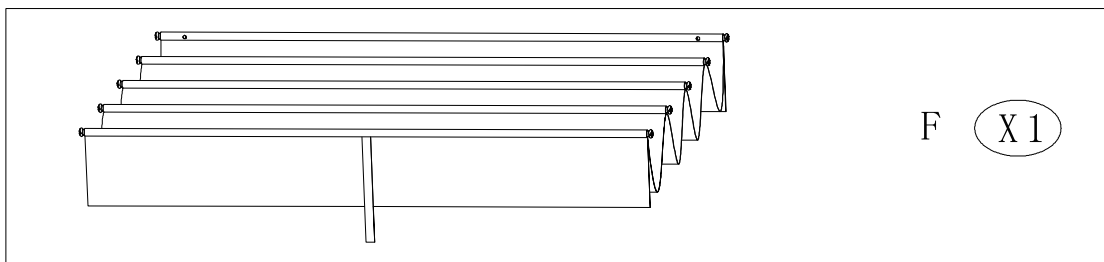
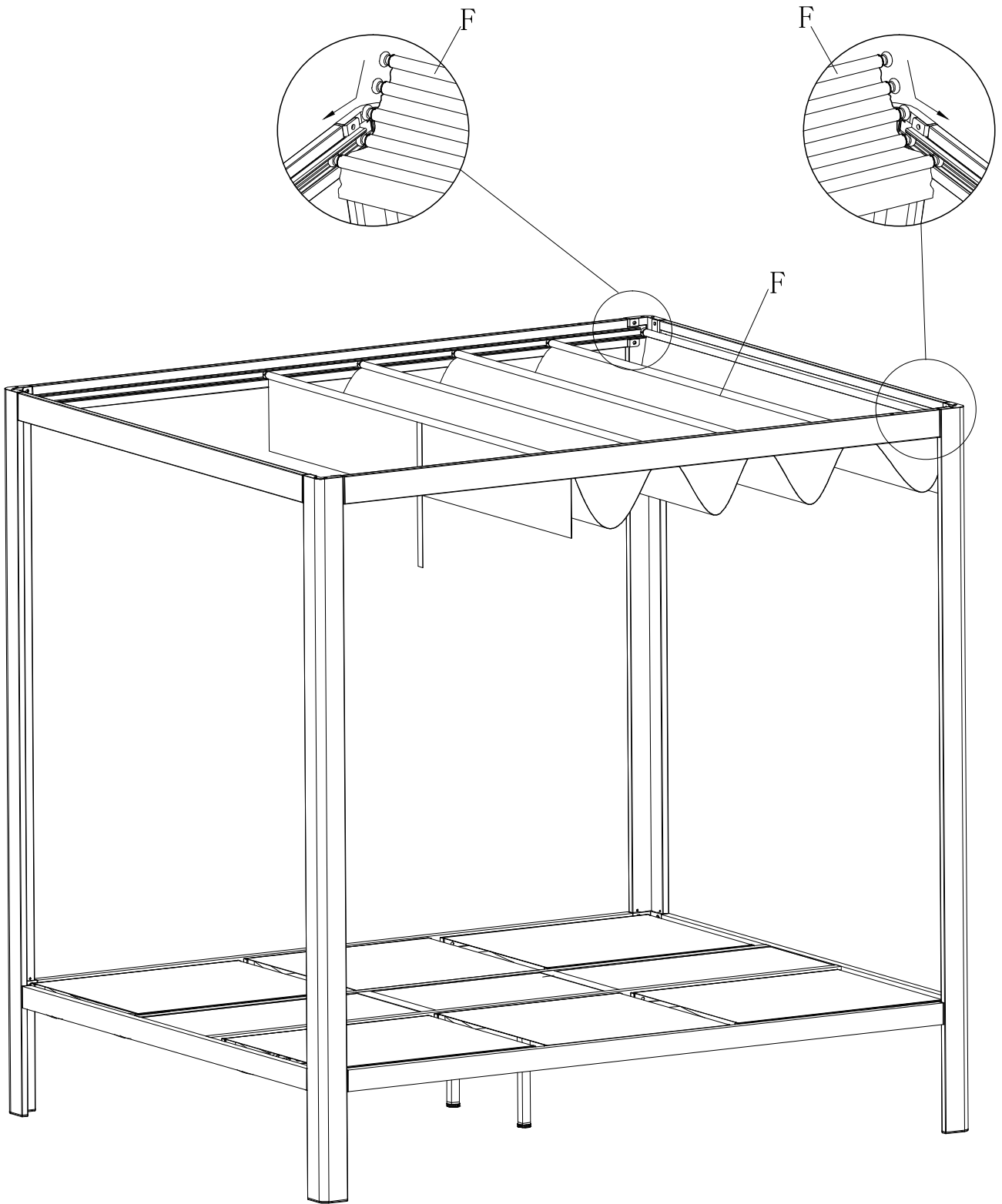


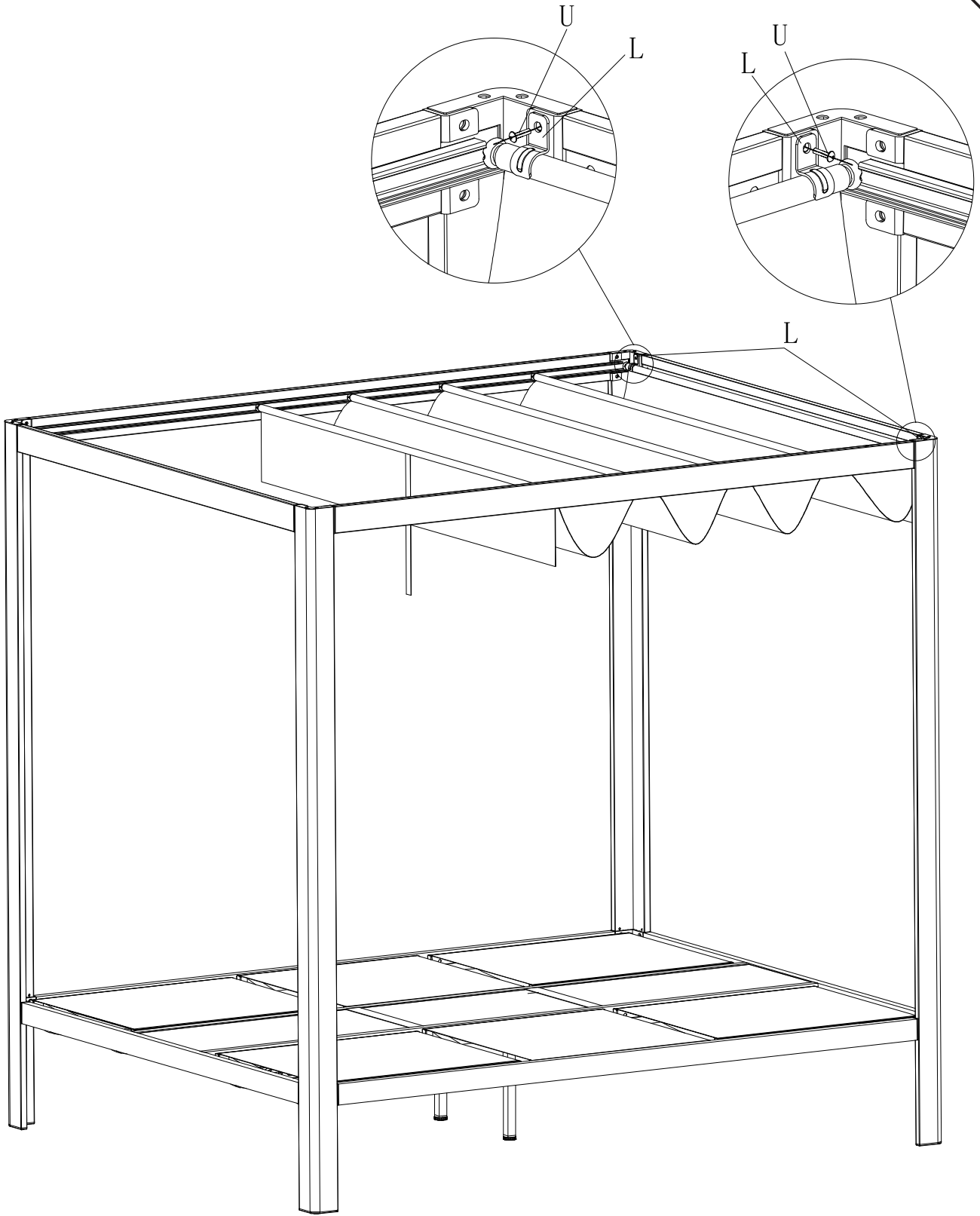



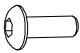
- | | |
|---|---------|
|  | A1 (X1) |
|  | A2 (X1) |
|  | U (X6) |
- M 6*18

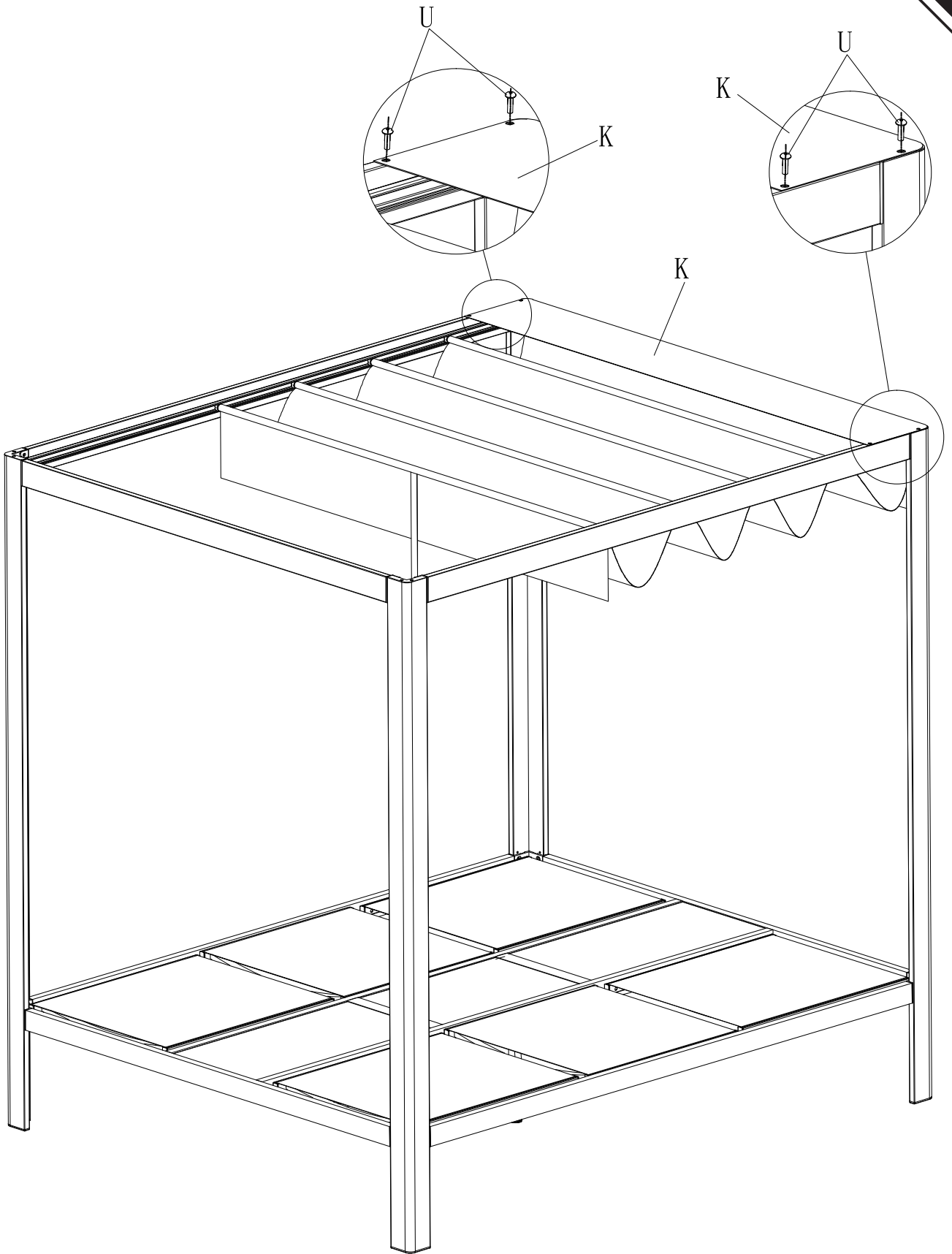



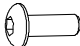
	B1 (X1)
	B2 (X1)
	M6*18
	U (X8)



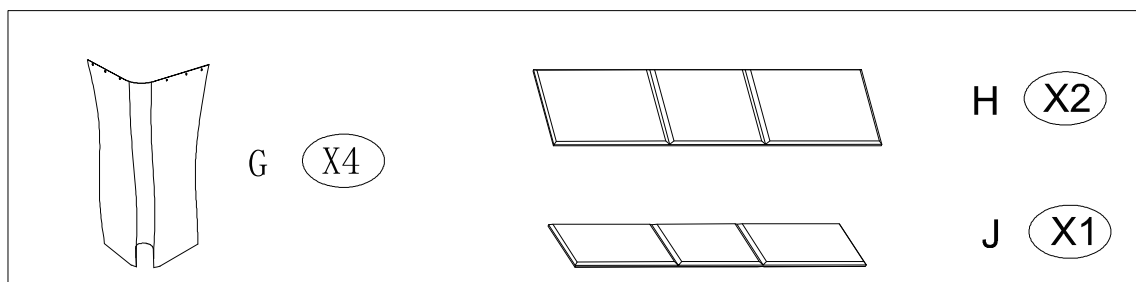
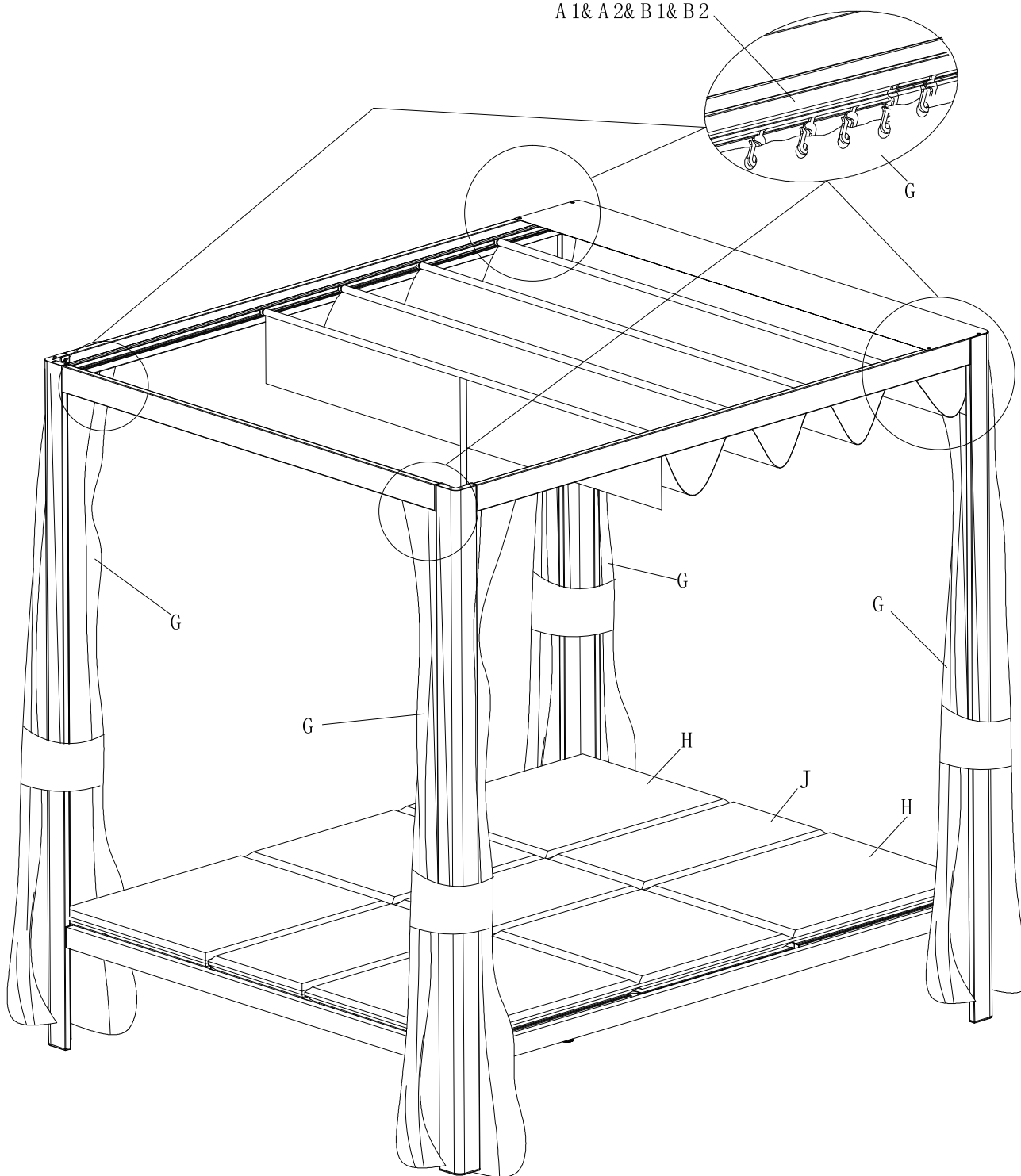


	L	X2
	M6*18	U X2



	K	(X1)
	M6*18	U (X4)

A 1 & A 2 & B 1 & B 2



US



001-877-644-9366
customerservice@aosom.com

CA



001-855-537-6088
customerservice@aosom.ca

UK



0044-800-240-4004
enquiries@mhstar.co.uk

DE



0049-(0)40-88307530
service@aosom.de

FR



0033-1-84166106
contact@aosom.fr

ES



0034-931294512
atencioncliente@aosom.es

IT



0039-0249471447
clienti@aosom.it