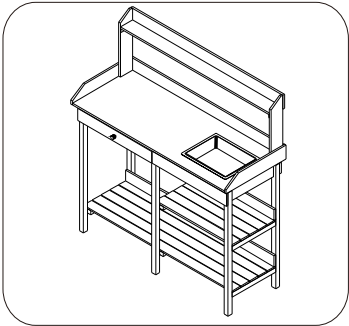
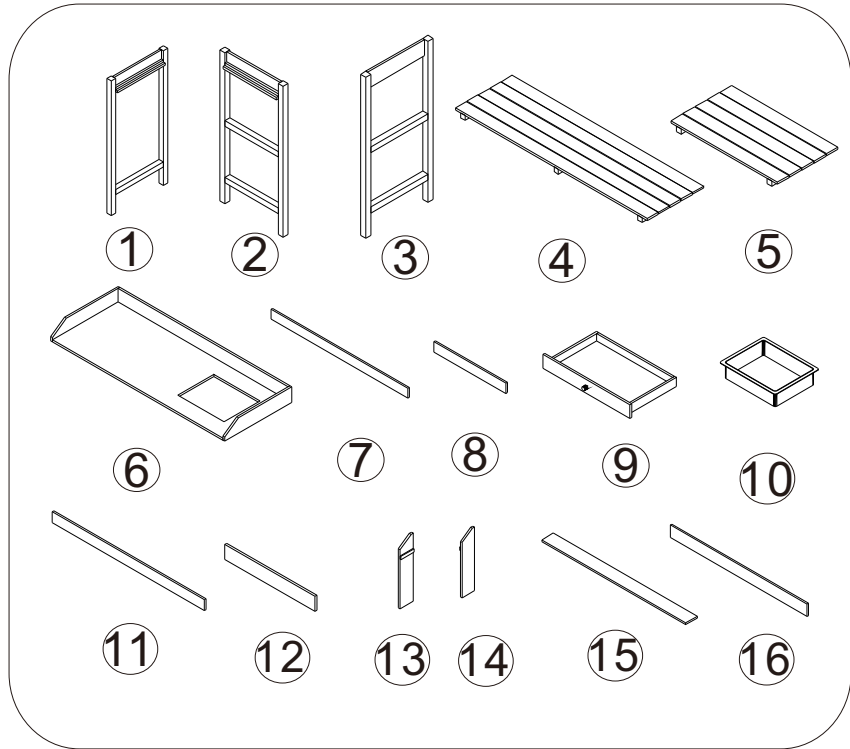


# ASSEMBLY INSTRUCTION



BOLT	A	M6*50 (10PCS)
	B	M6*40 (6PCS)
SCREW	C	M3*25 (31PCS)
	D	M3*18 (8PCS)



A M6\*50 (10PCS)

**STEP1**

B M6\*40 (6PCS)

**STEP2**

C M3\*25 (10PCS)

**STEP3**

C M3\*25 (10PCS)

**STEP4**

C M3\*25 (11PCS)

**STEP5**

D M3\*18 (8PCS)

**STEP6**