



## Lawn Roller Assembly Instructions

- 1) Before commencing check you have all the components: roller drum; left and right arms, centre handle grip; cross bar/scrapper; axle; fixings - See component list below.

*Do not tighten fixings until all nuts, bolts and washers are in the correct position.*

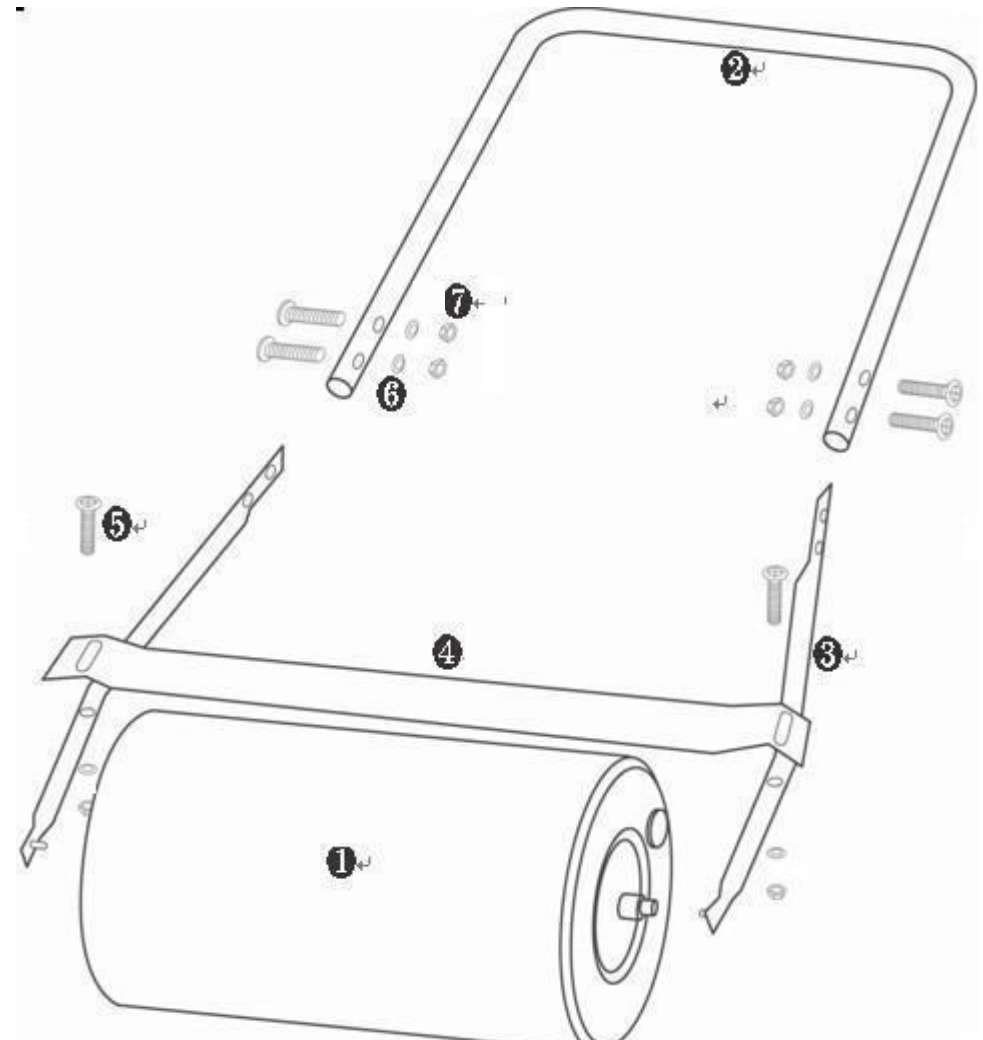
- 2) Assemble the left side arm to the centre handle and insert the two bolts, and attach the flat washers, and plastic insert nuts.
- 3) Repeat the process for the right hand side arm.
- 4) Attach the right and left side arms to the drum axle.
- 5) Attach the cross bar/scrapper to the side arms using the bolts, washers and nuts.
- 6) Check the handle is square and the cross bar/scrapper is not touching the roller drum and then tighten all the fixings.
- 7) Turn the roller drum so that the cap is upwards and then fill with water or for a heavier roller use sand.

### Lawn Roller Application

Use the lawn roller when seeding a new lawn or after cutting to improve the overall appearance of the lawn. Rolling will spread the grass roots giving a thicker coverage. Rolling is advised every time the lawn is cut.

### Safety Warning

When using the lawn roller it's essential you keep your hands and feet clear of the heavy drum. Special care is necessary when using the lawn roller on a slope. This product is not suitable for use by children - it is not a toy!



### Component list:

