

# Outsunny ASSEMBLY INSTRUCTIONS

## Before you begin

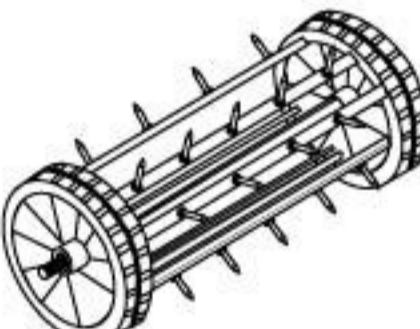
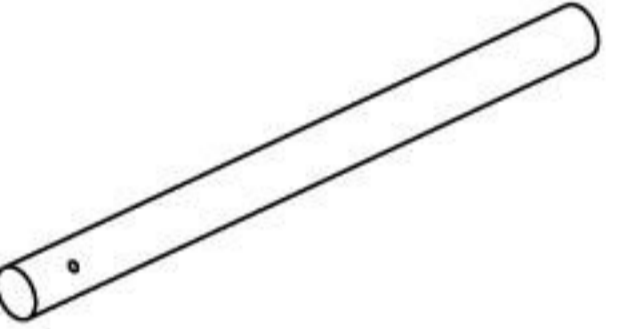
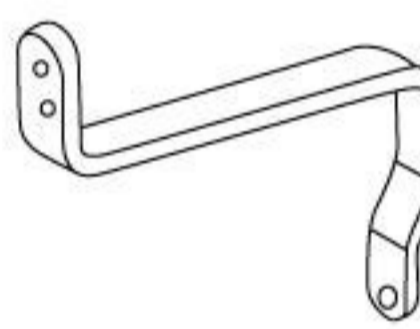
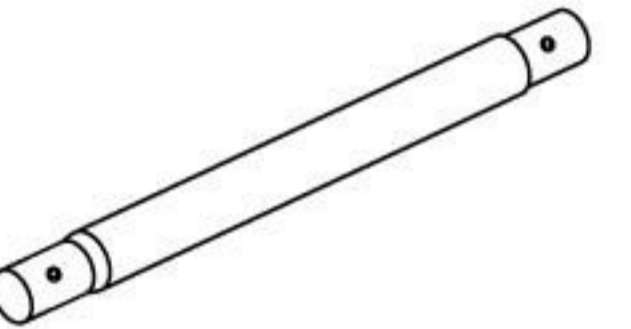

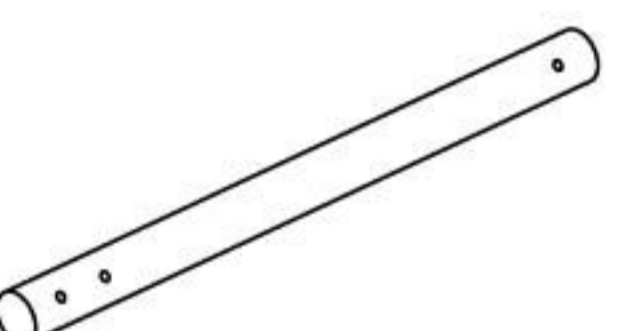
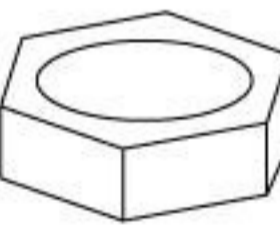



Before you begin you should read through this instructions and familiarize yourself with each step of assembly do not discard any of the packaging until you have checked that you have all the parts. To avoid damaging any of the components, lay out and assemble the unit on a floor. Keep fittings and plastic packaging out of children's reach.

If any of the components are dusty, clean with a duster or damp cloth. do not use abrasive cleaners.

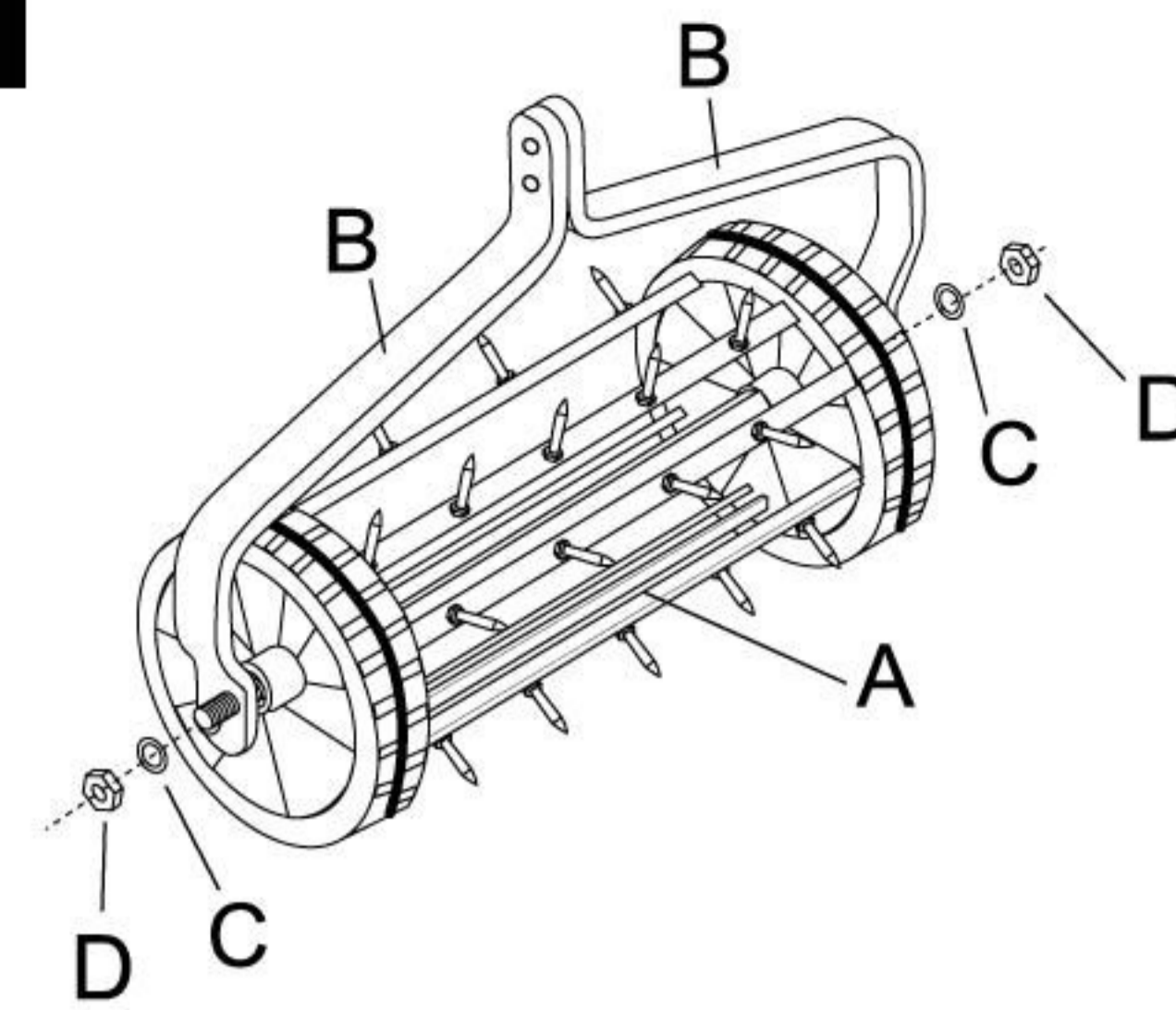
## Operation

The aerator should not be pulled, best results are obtained when the lawn is wet but in dryer conditions effective aeration can be achieved by applying more pressure on the handle.

## PARTS LIST

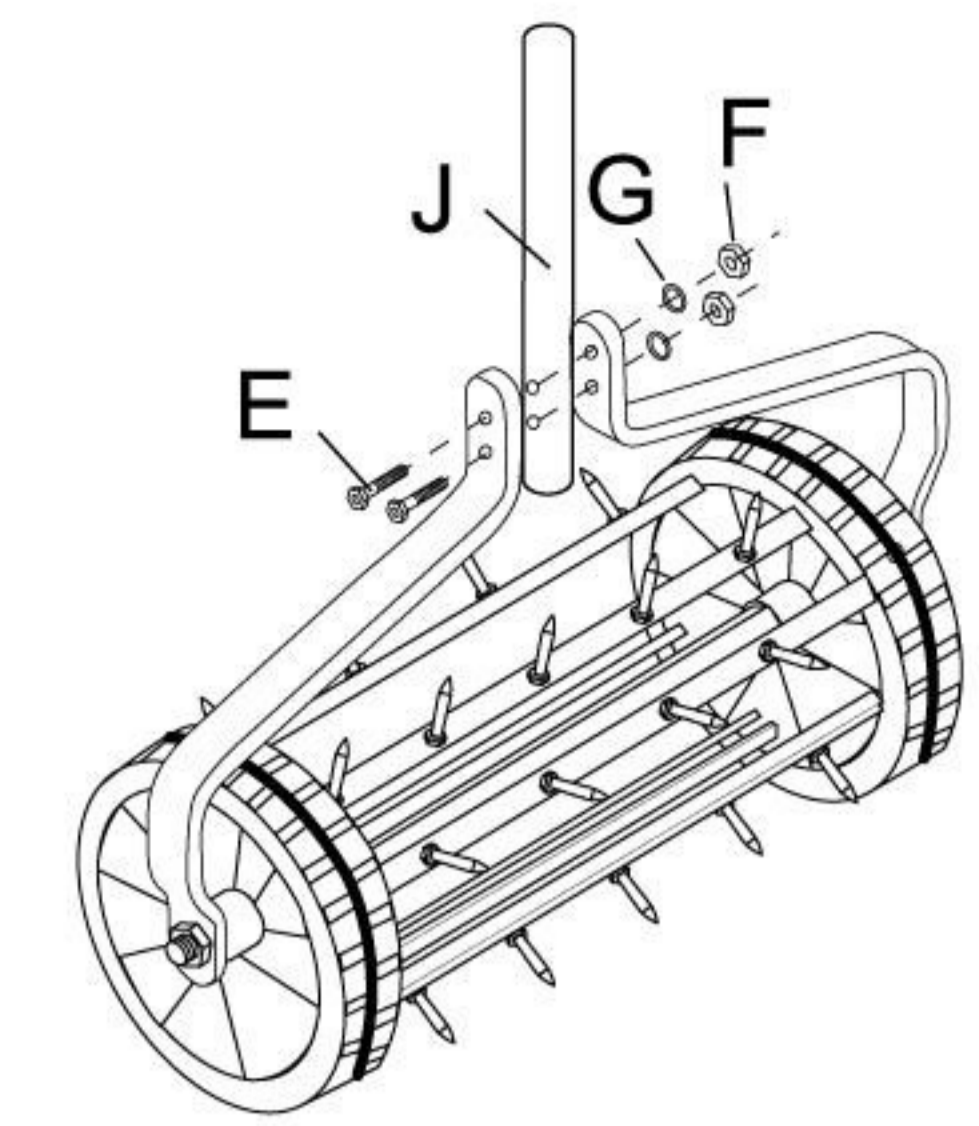
PART No.	DESCRIPTION	DIAGRAM	QTY. (pcs)	PART No.	DESCRIPTION	DIAGRAM	QTY. (pcs)
A	main unit		1	H	tube-A		1
B	bottom frame		2	I	tube-B		1
C	large washer		2	J	tube-C		1
D	large nut		2				
E	screw		2				
F	small nut		2				
G	small washer		2				

1



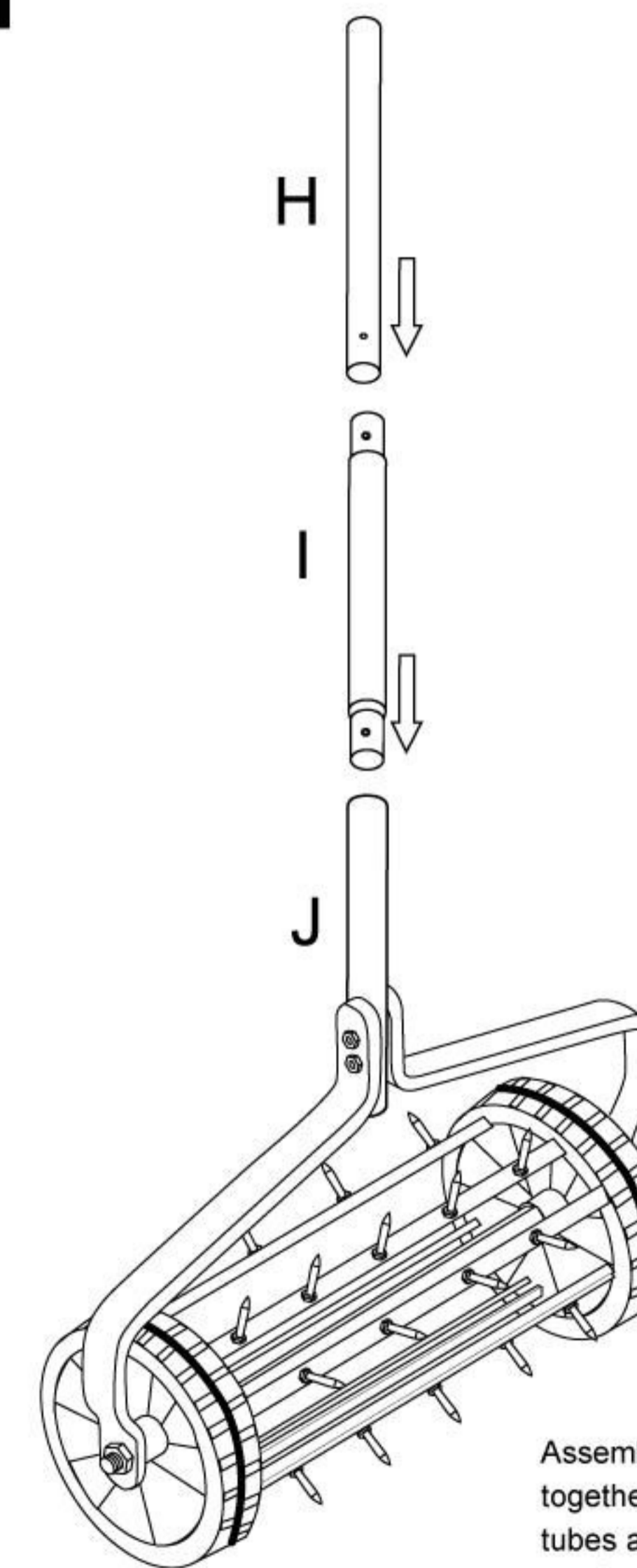
Screw out the large nut (D) and washer (C) from wheel axle, attach the left and right frame (B) to the main unit (A), and across the wheel axle push on the large washer (C), large nut (D) onto two sides. Ensure fixings are secured tightly and correctly.

2



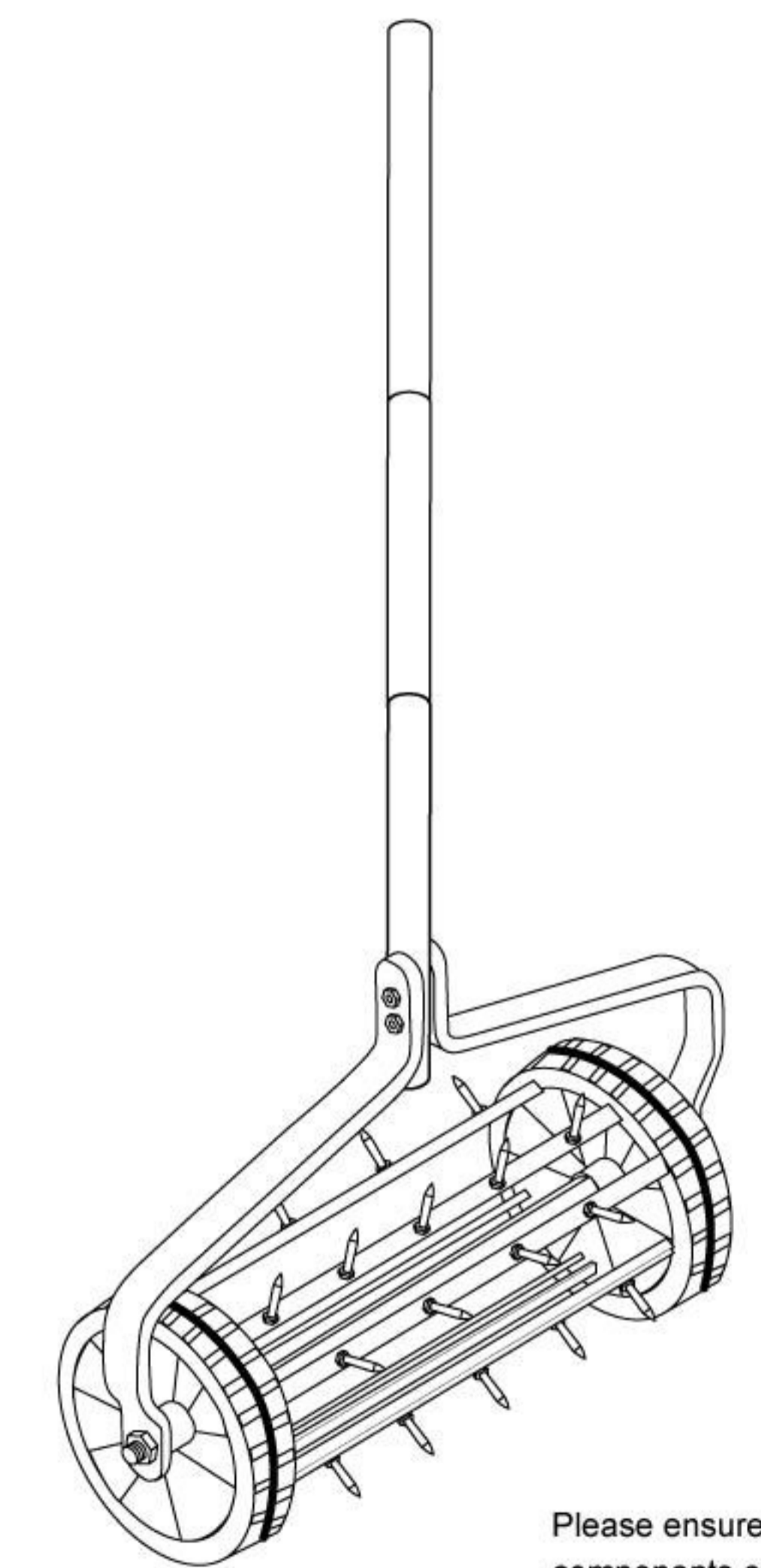
Using (E), (F) and (G) parts screw the left and right frame (B) to the tube (C), please ensure to tighten all fixings securely.

3



Assembly the tubes (H), (I) and (J) together. Please ensure that the tubes are tightly in place before moving to the next step.

4



Please ensure that all fixing and components of this product are tight and secure before use.

## Warning

Avoid the spikes coming in contact with your body, they are sharp and could result in injury if not used correctly.

## Care

Thoroughly clean the spikes and wheels after use and before storing. Keep in a dry area. To maintain the functionality of this item regularly lubricate all moving parts.