

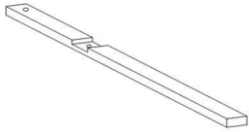



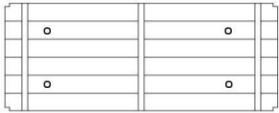

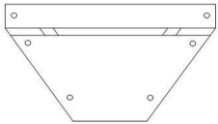
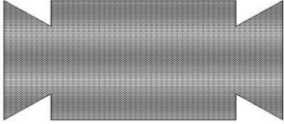

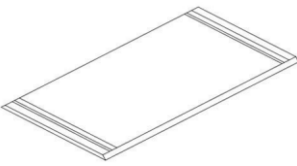




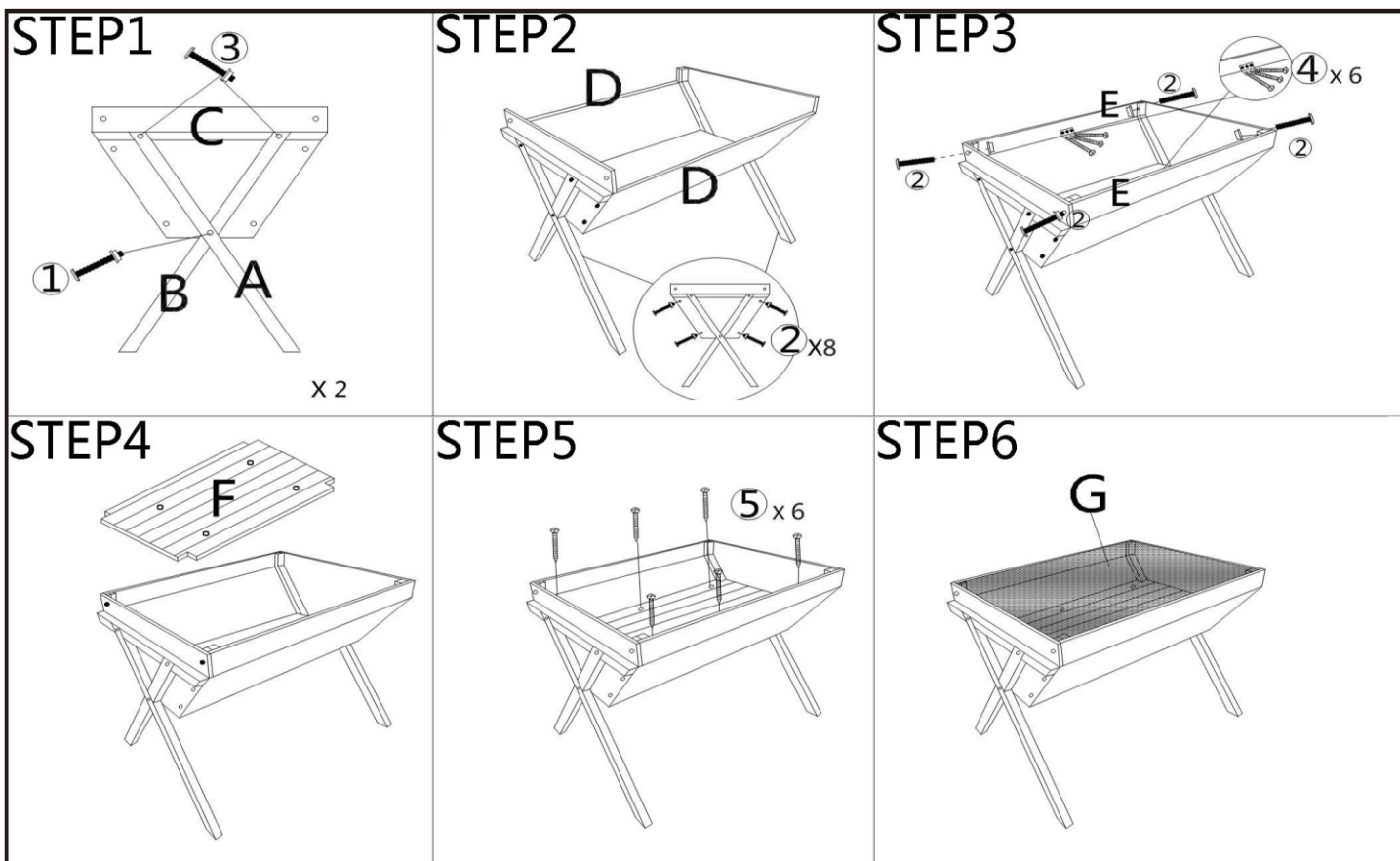
GL C000000

845-288



ASSEMBLY INSTRUCTION

| | | |
|---|--|---|
|  <p>A x 2</p> |  <p>E x 2</p> |  <p>2 x 12 6*55mm</p> |
|  <p>B x 2</p> |  <p>F x 1</p> |  <p>3 x 4 6*50mm</p> |
|  <p>C x 2</p> |  <p>G x 1</p> |  <p>4 x 6 3*12mm</p> |
|  <p>D x 2</p> |  <p>1 x 2 6*75mm</p> |  <p>5 x 6 3.5*25m</p> |



US



001-877-644-9366
customerservice@aosom.com

CA



001-855-537-6088
customerservice@aosom.ca

UK



0044-800-240-4004
enquiries@mhstar.co.uk

DE



0049-(0)40-88307530
service@aosom.de

FR



0033-1-84166106
contact@aosom.fr

ES



0034-931294512
atencioncliente@aosom.es

IT



0039-0249471447
clienti@aosom.it