



INbma082_UK

845-488V70



IMPORTANT, RETAIN FOR FUTURE REFERENCE: READ CAREFULLY

ASSEMBLY & INSTRUCTION MANUAL

GENERAL SAFETY INSTRUCTIONS

Before attempting to operate this machine, it is important that you read, understand and follow these instructions very carefully. They are designed for safety of yourself and others ensuring a long and trouble free service life from your machine.

1) Training

- Read the instructions carefully. Be familiar with the controls and the proper use of the appliance.
- Never allow children to use the appliance.
- Never allow people unfamiliar with these instructions to use the appliance. Local regulations may restrict the age of the operator.
- Never operate the appliance while people, especially children, or pets are nearby.
- The operator or user is responsible for accidents or hazards occurring to other people or their property.

2) Preparation

- While operating the appliance, always wear substantial footwear and long trousers.
- Do not wear loose clothing or jewelry that can be drawn into the air inlet. Keep long hair away from the air inlets.
- Wear protective goggles while operating.
- To prevent dust irritation the wearing of a face mask is recommended.
- Before using, check the supply and extension cord for signs of damage and aging. Do not use the appliance if the cord is damaged or worn.
- Never operate the appliance with defective guards or shields, or without safety devices, for example debris collector in place.

3) Operation

- Always direct the cable to the rear away from the appliance.
- If a cord becomes damaged during use, disconnect the supply cord from the mains immediately. **DO NOT TOUCH THE CORD BEFORE DISCONNECTING THE SUPPLY.**
- If the supply cord is damaged, it must be replaced by the manufacturer, its service agent or similarly qualified persons in order to avoid a hazard. When using an extension cord, it shall not lighter than H05VV-F 2x0.75mm²).
- Do not carry the appliance by the cable.
- Disconnect the appliance from the mains supply
 - whenever you leave the machine;
 - before clearing a blockage;
 - before checking, cleaning or working on the appliance;
 - if the appliance starts to vibrate abnormally.
- Operate the appliance only in daylight or in good artificial light.
- Do not overreach and keep your balance at all times.
- Always be sure of your footing on slopes.
- Walk, never run.
- Keep all cooling air inlets clear of debris.
- Never blow debris in the direction of bystanders.

4) Maintenance and storage

- Keep all nuts, bolts and screws tight to be sure the appliance is in safe working condition.
- Check the debris collector frequently for wear or deterioration.
- Replace worn or damaged parts.
- Use only genuine replacement parts and accessories.
- Store the appliance only in a dry place.

SAFE OPERATION

Know Your Power Tool

It is important that you are read and understand your instruction manual and any label attached to the power tool. Learn its applications as well as its limitations and the potential hazards associated with this power tool.

Work Area

Cluttered benches and work areas invite accidents. Workbenches should be kept tidy. Floors should be kept clean and free from rubbish. Special care should be taken where the floor is slippery due to sawdust or wax.

Work Environment

Do not expose your power tools to rain, or use in damp or wet locations. Keep the work area well lit. Do not use power tools in areas where there is a risk of explosion or fire from combustible materials, flammable liquids, paint, varnish, petrol etc. Flammable gases and dust of an explosive nature, as a precaution its recommended that you consult an expert on a suitable fire extinguisher and its use.

Guard Against Electric Shock

Avoid body contact with earthed or grounded surface (e.g. pipes, radiators, ranges, and refrigerators).

Beware Children and Pets

Children and pets should be kept out of the work area. Children should not be allowed to touch or operate machinery or touch extension cords. All power tools should be kept out of the reach of children, preferably stored or locked in a secure cabinet or room when not in use.

Do Not Force the Power Tool

The power tool will do a better and safer job and give you a much better service if it is used at the rate for which it was designed.

Use the right tool

Select the right tool for the job. Do not use tools for a job for which it was not designed. Do not force a small tool to do the job of a heavy-duty tool. Do not use tools for purposes not intended; for example do not use a circular saw to cut tree limbs or logs.

Personal safety

Clothing

Do not wear loose clothing or jewelry that could get caught in moving machinery.

Hair

Long hair should be tied back contained in a protective covering.

Eye Protection

The use of safety goggles is mandatory requirement (normal glasses are not sufficient for eye protection). Prescription spectacles do not have safety lenses.

Ear Protection

Ear protection is advised during periods of extended operation.

Footwear

Where there is a risk of a heavy object damaging feet or there is a risk of slipping on wet or slippery floors suitable non-slip safety footwear should be worn.

Head Protection

Where there is a risk of falling objects or hitting your head on protruding or low level obstructions a hard hat should be worn.

Respiratory Protection

When the machining operating creates dust, wear a dust mask. When machining concrete, man made fibre boards, especially MDF (medium Density Fibre Board) the resin used in these materials can be hazardous to your health. Use an approved face mask with replaceable filter.

Dust Extraction Equipment

If the machine is fitted with dust extraction and collection facilities ensure that these are properly connected and used.

Do Not Abuse the Power Cord

Never yank or pull on the power cord to disconnect it from the mains supply socket. Never carry your power tool by its power cord. Keep the power cord away from heat, oil, solvents and sharp edges. If the power cord becomes damaged have it replaced by an authorized service facility.

Secure the Work Piece

Wherever possible secure the work piece using clamps or a vice. It is safer than using your hand and leaves both hands free to control the power tool.

Do Not Over-reach

Do not over-reach, keep proper footing and maintain your balance at all times.

Maintain Tools with Care

Keep cutting tools sharp and clean for better and safer performance.

Follow the instructions for lubricating and changing accessories.

Check the tool power cord periodically and if damaged have it replaced by an authorized service facility.

Inspect extension cords periodically and if damaged replace it.

Keep handles dry, clean and free from oil and grease.

Ensure that ventilation slots are kept clean and free from dust at all times. Blocked ventilation slots can cause overheating and damage to the motor.

Disconnect Power Tools

Ensure that power tools are disconnected from the mains supply when not in use, before servicing, lubricating or making adjustments and when changing accessories such as blades, bits and cutters.

Remove Adjusting Keys and Wrenches

Form the habit of always checking to see that keys and adjusting wrenches are removed from the power tool before turning it on.

Avoid Unintentional Starting

Ensure that the switch is in the OFF position before plugging the power tool into the mains supply.

Extension Cords and Reels

The appliance should be supplied via a residual current device (RCD) with a tripping current of not more than 30 mA.

DO NOT use 2 core extension cords reels on power tools with an earth path. Always use a 3 core extension cord or reel with the earth core connected to earth.

When the power tool is to be used outdoors, use only extension cords intended for outdoor use and are so marked.

Always unwind any extension cords fully.

For extension cords up to 15 meters use a wire cross section of 2.5mm².

For extension cords over 15 meters but less than 40 meters use a wire cross section of 2.5mm².

Always replace a damaged extension cord before using it.

Protect your extension cord from sharp objects, excessive heat and damp or wet locations.

Stay Alert

Watch what you are doing, use common sense, and do not operate the power tool when you are tired, if taking medication that causes drowsiness, when having consumed alcohol or taken drugs.

Check Damaged Parts

Before using the power tools it should be carefully checked to determine that it will operate properly and perform its intended function.

Check for the correct alignment of moving parts ensuring they do not bind. Check for broken or missing parts and have them replaced or repaired at an authorized service center. If the power tool requires mounting make sure it is securely attached to a suitable workbench. Check any other condition that may affect the operation of the power tool.

A guard or any other part of the power tool that is damaged should be properly repaired or replaced by an authorized service center unless otherwise indicated in this instruction manual.

Any switch that does not operate correctly must be replaced by an authorized service center.

Do not use the power tool if the ON/OFF switch does not turn the power tool ON and OFF.

Warning

Do not attempt to modify the power tool in any way. The use of any attachment or accessory other than those recommended in this instruction manual could result in damage to the power tool and injury to the operator.

Have your power tool repaired by a qualified person.

This electric power tool complies with national and international standards and safety requirements. Repairs should only be carried out by qualified persons and using original spare parts. Failure to do so may result in considerable danger to the user.

Protect Furnishings

If using the power tool inside your house, please protect furnishings and floors with a suitable dust sheet.

Fire Precautions

When using the certain power tools inside your house or workshop general fire precautions should be observed. As a precaution it is recommended that an expert is consulted on obtaining and using a suitable fire extinguisher.

SPECIFIC SAFETY INSTRUCTIONS

VAC-BLOWER

WARNING

Never allow children or people who have not read and understood these instructions to use the Vac-Blower. Do not use the Vac-Blower for any purpose other than those described in these instructions.

Study the warning sticks on the machine, and replace any damaged or illegible warning sticks.

Read these instructions carefully. Find out what the controls do and learn how to use the machine correctly and safely.

The user is responsible for any accidents that happen to other people or their property.

Preparation

Always wear suitable clothing, gloves and stout shoes. The use of approved safety goggles is recommended.

Before using your Vac-Blower always visually inspect it to see that any parts are not worn or damaged. Replace worn or damaged parts. Always inspect the insulation on the power cord and any extension cable to be used, for cuts, and abrasions and the condition of connectors. Any cable that is cut or worn and any damaged connectors should be replaced before using the Vac-Blower.

Always check that there is no material left in the Vac-Blower before starting. This could be dangerous.

Always check the operation of the Residual Current Device (R.C.D.).

Only use replacement parts, recommended for this product.

Take care when carrying out any repair or adjustment.

A Vac-Blower that has been modified or is incomplete is dangerous and no attempt should be made to operate it.

Using your Vac-Blower

Always check the area to be worked, for wire and other debris etc, that could cause damage to the Vac-Blower and injury to the operator.

Never feed hard objects such as stones, bottles, cans or pieces of metal into the Vac-Blower. They can cause damage to the machine and possibly injury to the operator and bystanders.

Never use the machine if there are people, especially children, or animals nearby.

Never let any person who is not familiar with these instructions operate this machine.

Avoid operating the Vac-Blower in wet conditions, wherever possible.

Know how to stop the Vac-Blower quickly in an emergency.

Never operate the Vac-Blower if any of the guards are damaged, incorrectly fitted or missing.

Make sure that you have adopted a safe and secure operating position before using the Vac-Blower.

Make sure that all nuts and bolts are secure before starting the Vac-Blower.

Only use the Vac-Blower in dry surroundings never outdoors in the rain.

Do not use the Vac-Blower if it has a faulty safety device or if a guard is missing.

Special care should be taken when cleaning. This should only be done with the Vac-Blower switched off and disconnected from the mains supply to prevent injury.

Ensure that the cable and any extension cable used are checked for damage and are coiled correctly without kinks

Remove the plug from the mains supply:

Before leaving the Vac-Blower unattended for period;

Before clearing any blockage;

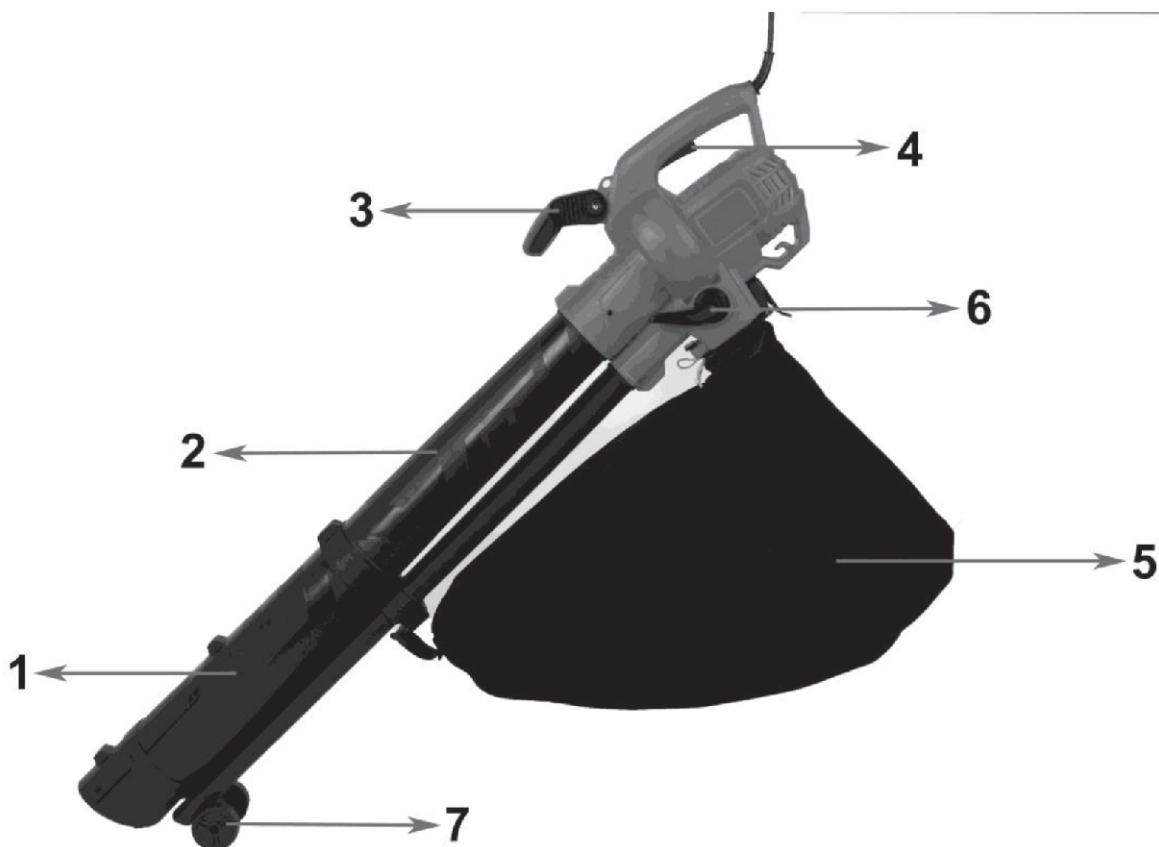
Before checking, cleaning or carrying out any work.

If a foreign body, or other debris, is accidentally feed into the Vac-Blower, stop it immediately and do not use the Vac-Blower until it has been checked and you are sure that the entire Vac-Blower is in a safe operating condition.

If the Vac-Blower makes any unusual noise or starts to vibrate abnormally STOP immediately remove the plug from the mains supply and investigate the cause. Excessive vibration can cause damage to the Vac-Blower and injury to the operator.

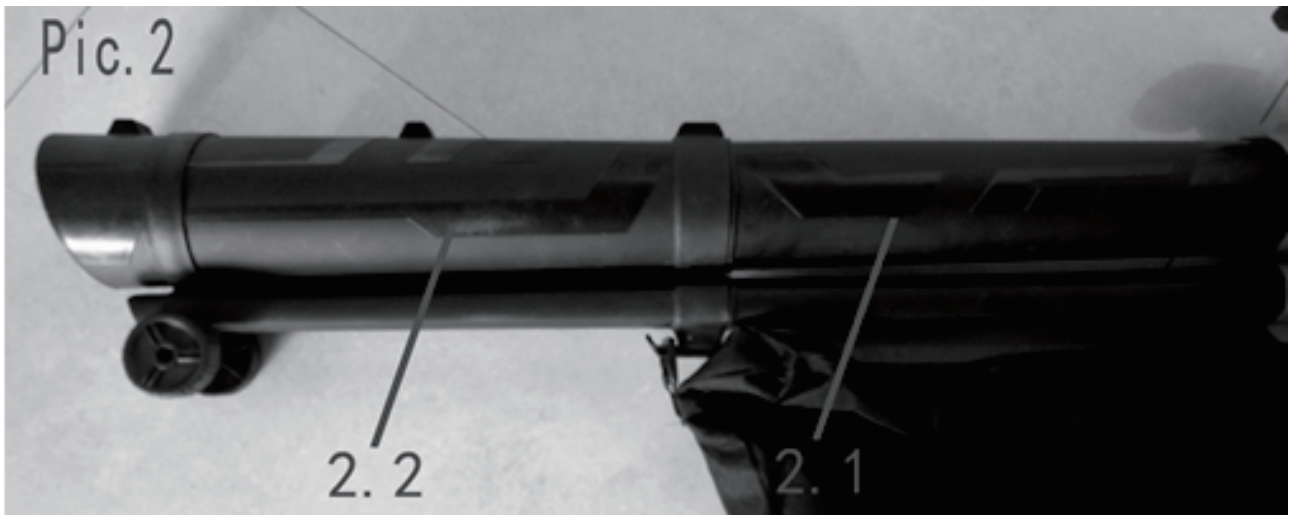
Operating instructions

Components and controls (Pic.1-2)	
1.	Front suction tube
2.	Rear suction tube
3.	Additional handle
4.	On/Off switch
5.	collection bag
6.	Selector switch for blower/vac
7.	Wheel support
8.	Blet
9.	Power cable



Warning!

The Vac-Blower must not be used or switched on until it has been fully assembled.



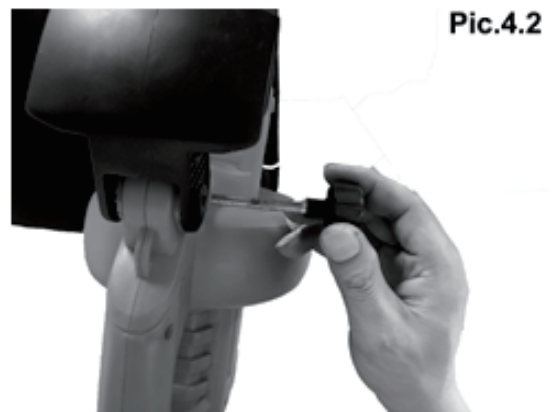
Assembly (Pic.2)

Insert the intermediate suction/blower tube (Pic.2)(2.1) into the Vacuum-Blower body ensuring that it is fitted correctly and pushed fully home and secure with the two screws provided. Fit the wheeled suction/blower tube into the intermediate suction/blower tube (Pic.2)(2.2). Ensuring that it is fitted correctly and pushed fully home.



Fixing the wheels(Pic.3)

Get the wheel screw through the front small hole (Pic.3.1),tighten the wheel nut until the wheels fully installed(Pic3.2).

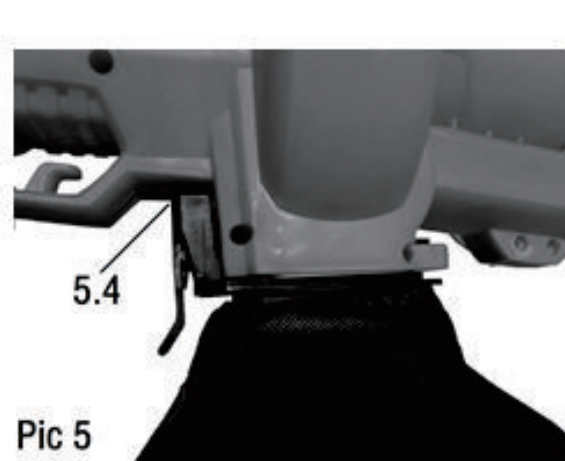
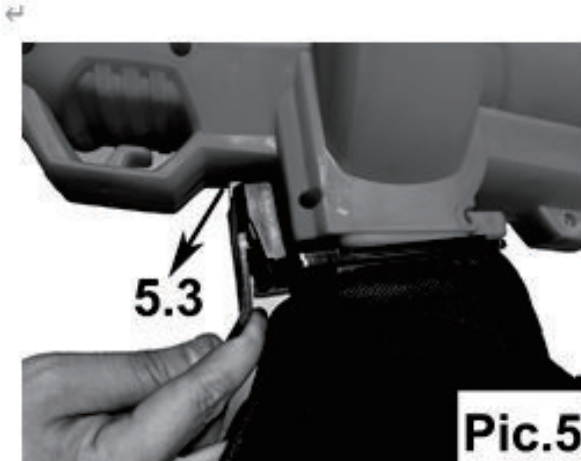
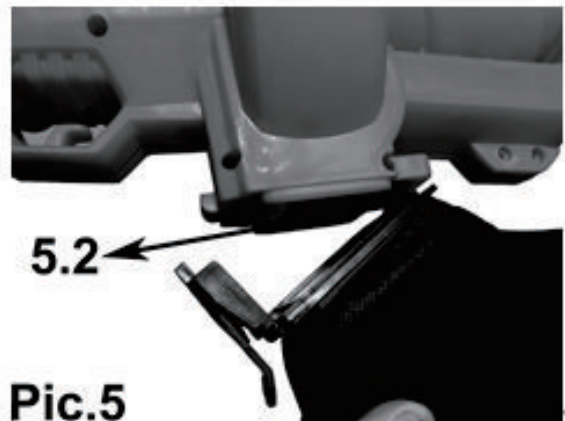
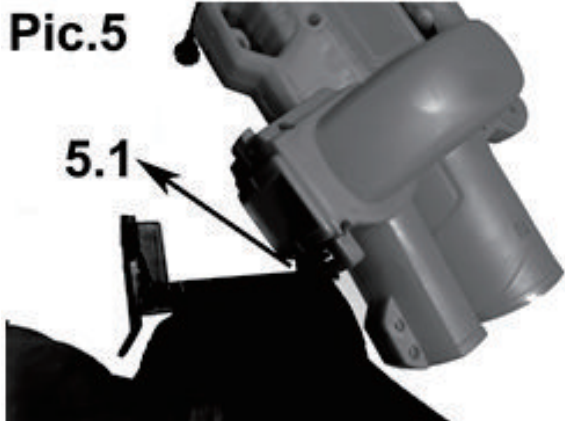


Fitting the adjustable handle(Pic.4)

Insert the adjustable handle to into the Vacuum-Blower body(Pic.4.1)adjust the handle to suitable yourself,tighten knob screw(until the handle fully fasten(Pic.4.2)

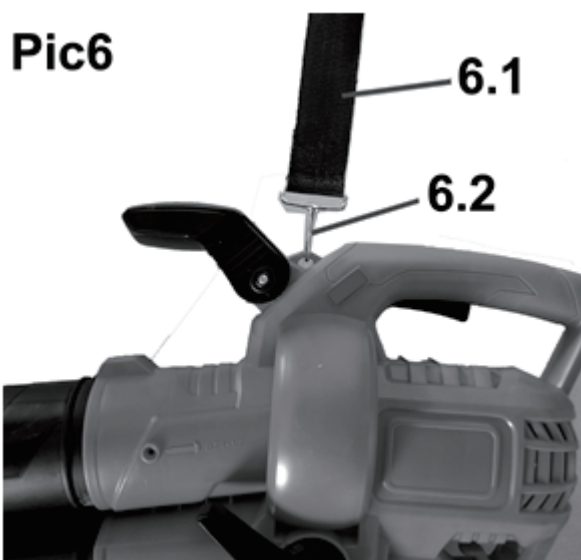
Fitting the debris collection bag (Pic.5)

Before fitting the debris collection bag ensure that the Vacuum/Blow selector lever operates smoothly and that it is not obstructed by debris from the previous use. Locate the debris collection bag and fold back the opening with the adaptor connection inserted into the holes on both sides of discharge opening(Pic.5) (5.1/5.2/5.3/5.4). Attach the front of the debris collection bag to the underside of the suction-blower tube using the clip fitted to the debris collection bag.



Fitting the shoulder harness (Pic.6)

The Vacuum-Blower is provided with a shoulder harness (Pic.6)(6.1) this is attached to the top of the main body of the Vacuum-Blower as shown (Pic.6)(6.2). The shoulder harness is provided to reduce fatigue and aid comfort when using the Vacuum-Blower and can be worn in a position to suit the operator.



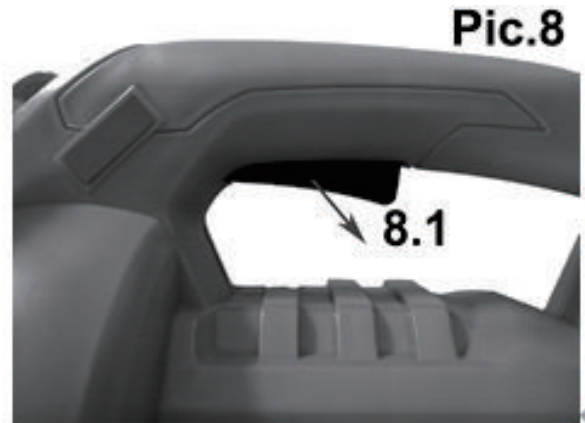
Before Starting.

Before starting the Vacuum-Blower plug into the mains supply via the (R.C.D.) and switch on. Check that the (R.C.D.) is operating correctly.

Starting the Vacuum-Blower. (Pic.7)

To start the Vacuum-Blower Ensure that the intermediate suction/blower tube is fitted correctly.

Warning! Before selecting either the Vacuum or Blow function ensure that the selector lever operates smoothly and that it is not obstructed by debris from the previous use. Select either the Vacuum or Blow function using the selector lever on the side of the machine **(Pic.7)(7.1)** and slide the On/Off switch to position **(I)(Pic.8)(8.1)**.

**Stopping the Vacuum-Blower.**

To stop the Vacuum-Blower simply unclamp the On / Off switch**(Pic.8)(8.1)**.

Using the Vacuum-Blower.

Do not attempt to pick up wet debris, allow fallen leaves etc, to dry out before using the Vacuum Blower. The Vacuum-Blower can be used to blow debris from patios, paths, driveways, lawns, bushes and borders. It will also pick up leaves, paper, small twigs and wood chippings. When the using the Vacuum Blower in Vacuum mode the debris is sucked up the suction tube before being ejected into the debris collection bag, as the debris passes through the suction fan it is partially shredded. The shredded organic debris is ideal to use as mulch around plants. Warning! Any hard objects, such as stones, tin cans glass etc, will damage the suction fan.

Important

Do not use the Vacuum-Blower to suck up water or very wet debris.
Never operate the Vacuum-Blower without the debris collection bag fitted.

Operating the Vacuum-Blower

Blower mode

Inspect the area to be worked before starting. Remove any objects or debris that could be thrown, jammed or become entangled in the Vacuum-Blower.
Select the blow function using the selector lever on the side of the machine and switch on.
With the Vacuum-Blower resting on its wheels move the Vacuum-Blower forwards directing the nozzle at the debris to be cleared.

Alternatively hold nozzle just above the ground and swing the machine from side to side, moving forwards and directing the nozzle at the debris to be cleared. Blow the debris into a convenient heap then use the vacuum function to collect the debris.

Vacuum mode

Inspect the area to be worked before starting. Remove any objects or debris that could be thrown, jammed or become entangled in the Vacuum-Blower. Select the vacuum function using the selector lever on the side of the machine and switch on. With the Vacuum-Blower resting on its wheels move the Vacuum-Blower forwards directing the nozzle at the debris to be collected. Alternatively with the Vacuum-Blower held just above the ground swing the machine from side to side, moving forwards and directing the nozzle at the debris to be collected. Do not force the nozzle into the debris as this will block the suction tube and reduce the efficiency of the machine.

Organic materials such as leaves contain a large amount of water that can cause them to stick to the inside of the suction tube. To reduce sticking the material should be left for a few days to dry out.

Cleaning and Storage

Make sure that all nuts, bolts and screws are tight and that the guards are fitted correctly. All damaged and worn parts should be replaced in order to maintain the Vacuum-Blower in a safe working condition.

Never leave material in the Vacuum-Blower or the debris collection bag. This could be dangerous when starting the Vacuum-Blower.

After use the Vacuum-Blower should be thoroughly cleaned.

Ensure that the Vacuum-Blower is switched off and disconnected from the mains supply. Remove and empty the debris collection bag. Ensure that the Vacuum / Blow selector lever operates smoothly and that it is not obstructed by debris. Brush any loose debris from around the fan and inside the suction/blower tube. Do not use any type of cleaning solvent on the plastic parts of the Vacuum-Blower.

Explanation of warning symbols:



Read the instruction manual before using the appliance.



There is a risk that stones and other objects could be thrown out by the appliance. Keep other people and domestic animals at a safe distance.



Always keep the cable away from the heat sources, oils or sharp edges. Remove plug from the mains immediately if cable is damaged or entangled.



Always disconnect the machine from the power mains before cleaning inspecting, repairing or when it is damaged or tangled.



Do not use this product in the rain or leave outdoors while it is raining.



Wear eye and ear protection;

DATA SPECIFICATION:

Model number	HY6302
Rated voltage (V)	230-240V~ 50Hz
Rated power (W)	2600
No-load speed (min ⁻¹)	14000 rpm
Wind speed (km/h)	270km/h
Mulching ratio	10:1
Capacity of collection bag (l)	45
Sound pressure level dB(A)	82 (dB)A
Sound power level dB(A)	106(dB)A
Vibration (m/s ²)	2.719 m/s ²



Electrical products must not be thrown out with domestic waste. Recycle them at the special disposal centres provided for the purpose. Contact your local authorities or stockiest for advice on recycling

US



001-877-644-9366
customerservice@aosom.com

CA



001-855-537-6088
customerservice@aosom.ca

UK



0044-800-240-4004
enquiries@mhstar.co.uk

DE



0049-(0)40-88307530
service@aosom.de

FR



0033-1-84166106
contact@aosom.fr

ES



0034-931294512
atencioncliente@aosom.es

IT



0039-0249471447
clienti@aosom.it