



INbma096_UK

845-733



IMPORTANT, RETAIN FOR FUTURE REFERENCE: READ CAREFULLY

ASSEMBLY & INSTRUCTION MANUAL

Installation and Operation Guide

Congratulations on your purchase of the GARTENKRAFT Handy Reel. This specifically designed unit features easy to carry, recoiling the hose, it can be put everywhere at home, even the touring car. With every use, Pre-assembled and ready for use, the Handy Reel comes completely with hose, universal tap adaptor, hose connector, Hand spray, Winding Handle.

Cautions

The Handy Reel is designed for home watering applications using cold water only. It is not intended for commercial applications.

Don't rotate the handle in reverse under the non-use state, otherwise the hose will be layered, and make the hose hard to pull out. If rotate the handle in reverse, please be patient and rotate the handle in clockwise until pulling out all of the hose.

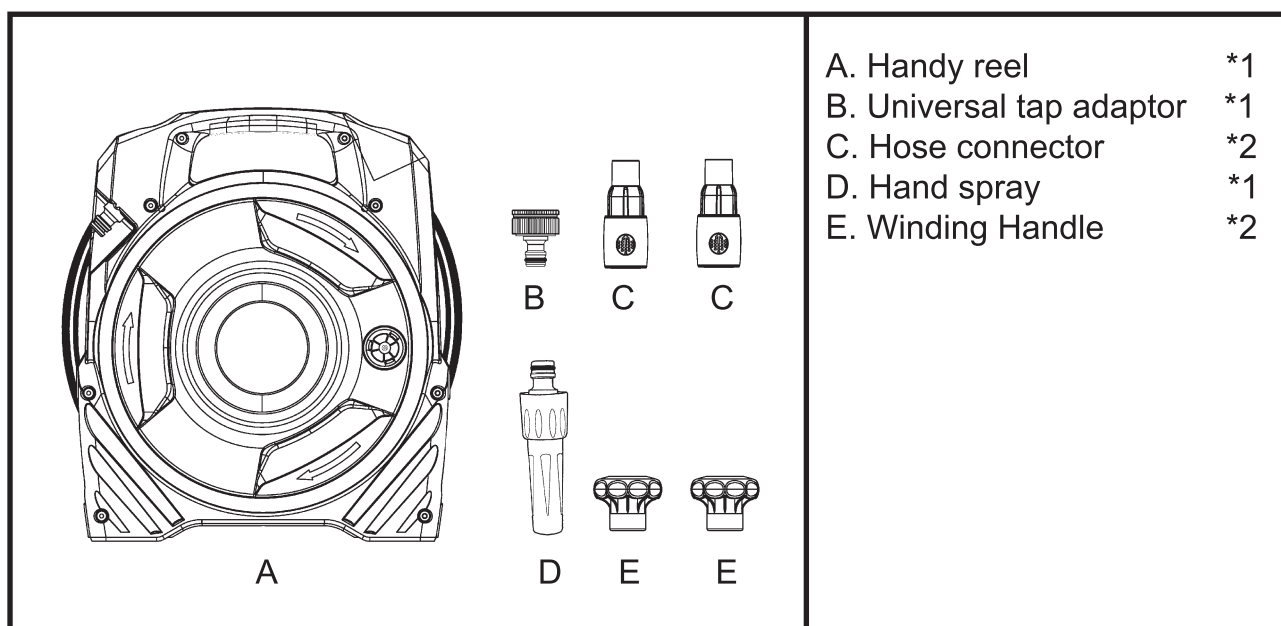
Always turn the water off at the tap when the Handy Reel is not in use.

Guarantee

This product and its components are guaranteed to be free from defects in materials or workmanship for a period of 24 months from the date of purchase provided the product has been used in accordance with the manufacturer's recommendations. Our obligation under this guarantee is limited to the repair or replacement at our option, of the product within two years from the date of purchase.

Use of this product outside of the manufacture's recommendations or disassembling of the hose reel will void the warranty.

Contents



Installation Instructions

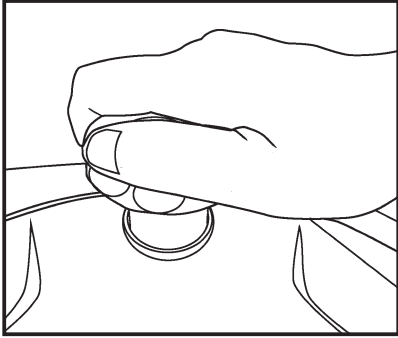


photo1

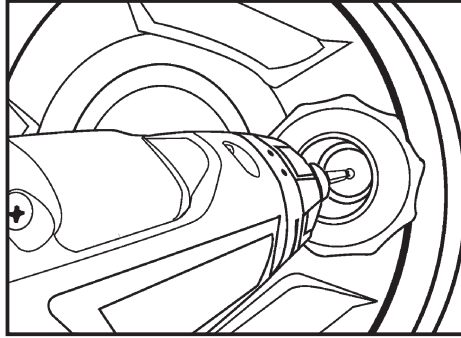


photo2

1. Press the handle into the protection lock hole, see photo1.
2. Tight the screw with a screwdriver, and the lock can prop up the protection lock teeth, see photo2.

Instructions for Use

Now that your Handy reel securely connected to the tap it is ready for use.

1. Before first use, turn the water on at the tap and unwind the hose. The hose will unwind by simply taking hold of the hose and walking away from the reel. This will allow water to flow freely through the hose and reel.
2. Following the directional arrows on the protection plate when winding back the hose.
3. After winding back the hose, don't rotate the handle in clockwise, otherwise the hose will be layered easily and can't be pulled out.