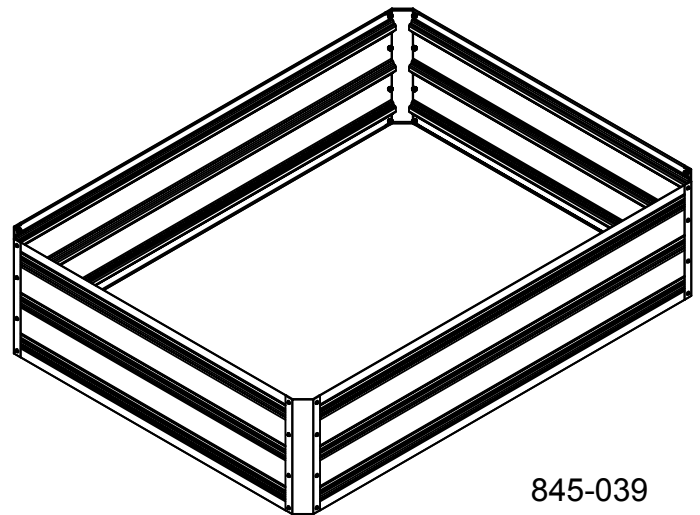


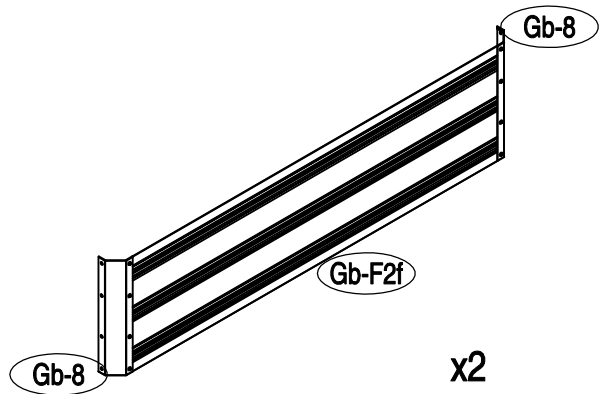
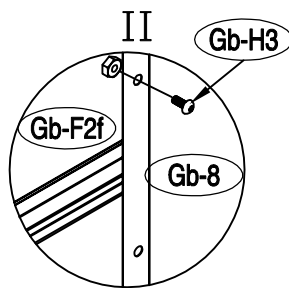
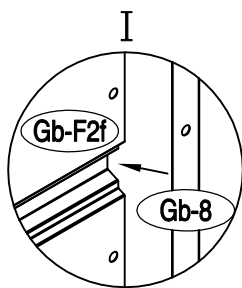


NO.	IMAGE	mm	QTY
Gb-8		300	4
Gb-F2a		535	2
Gb-F2f		1135	2
Gb-F3		M4x10	32



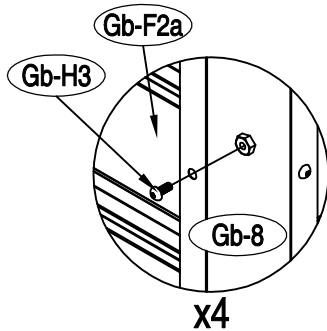
845-039

1

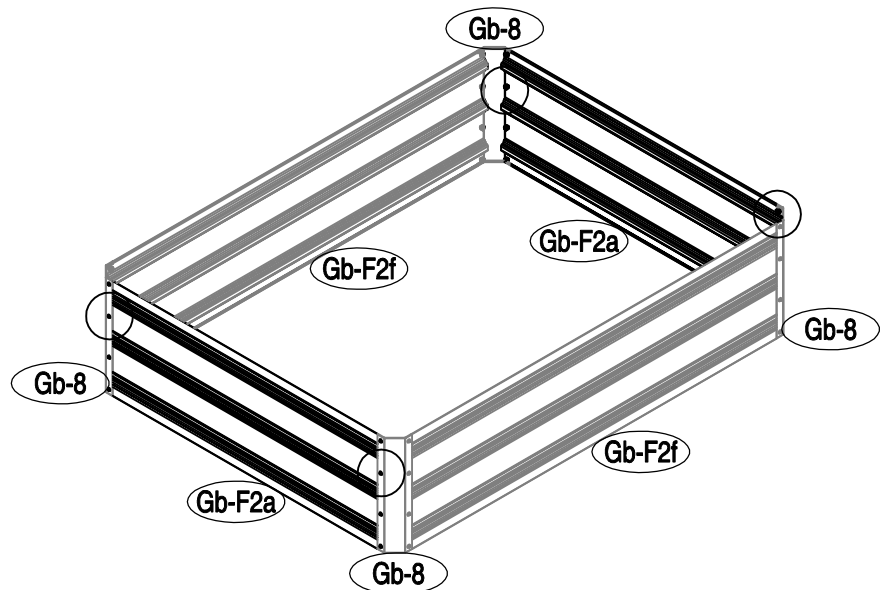


x2

2



x4



Important: Use hand gloves to prevent injury.

