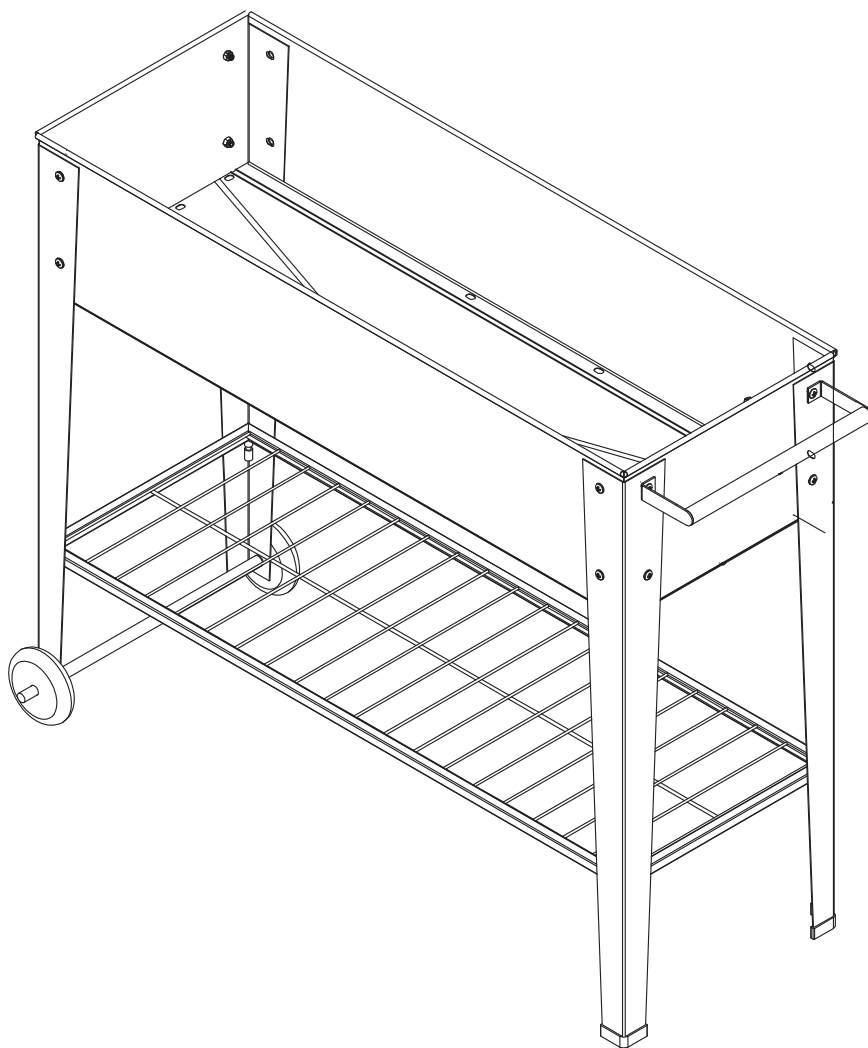




INbmb033V01_GL

845-315



IMPORTANT, RETAIN FOR FUTURE REFERENCE: READ CAREFULLY

ASSEMBLY & INSTRUCTION MANUAL

PARTS

A x 2



B x 1



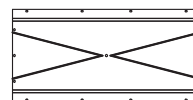
C x 1



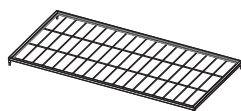
D x 2



E x 1



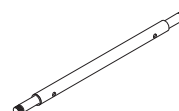
F x 1



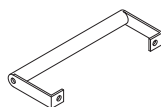
G x 2



H x 1



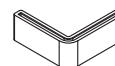
I x 1



J x 2



K x 2



HARDWARE

L x 30
+2(spare)

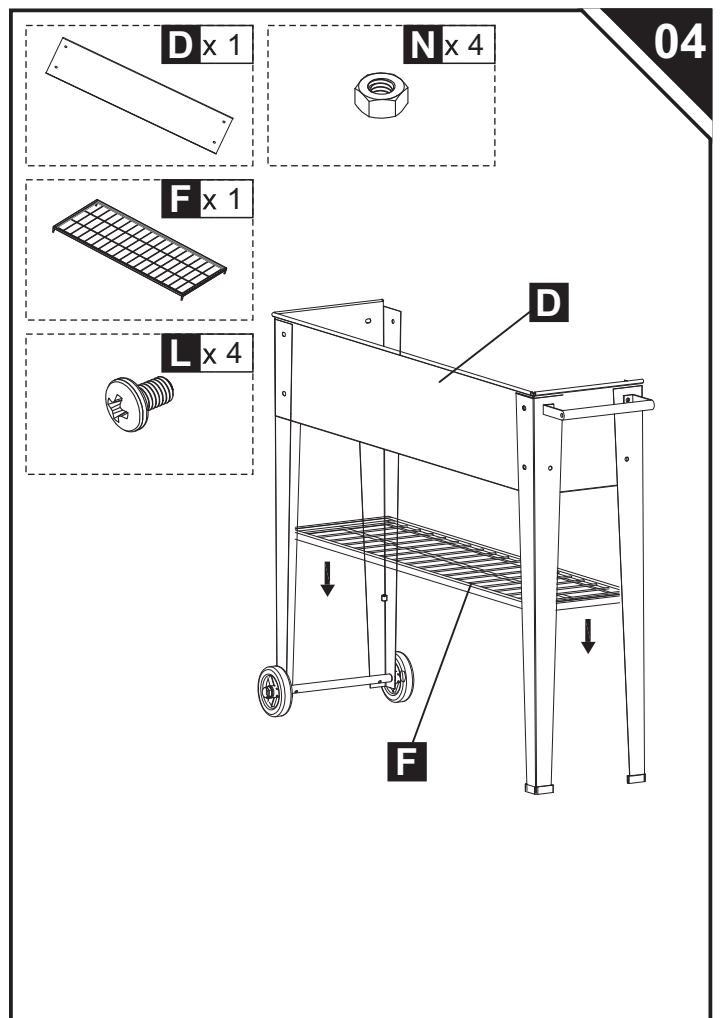
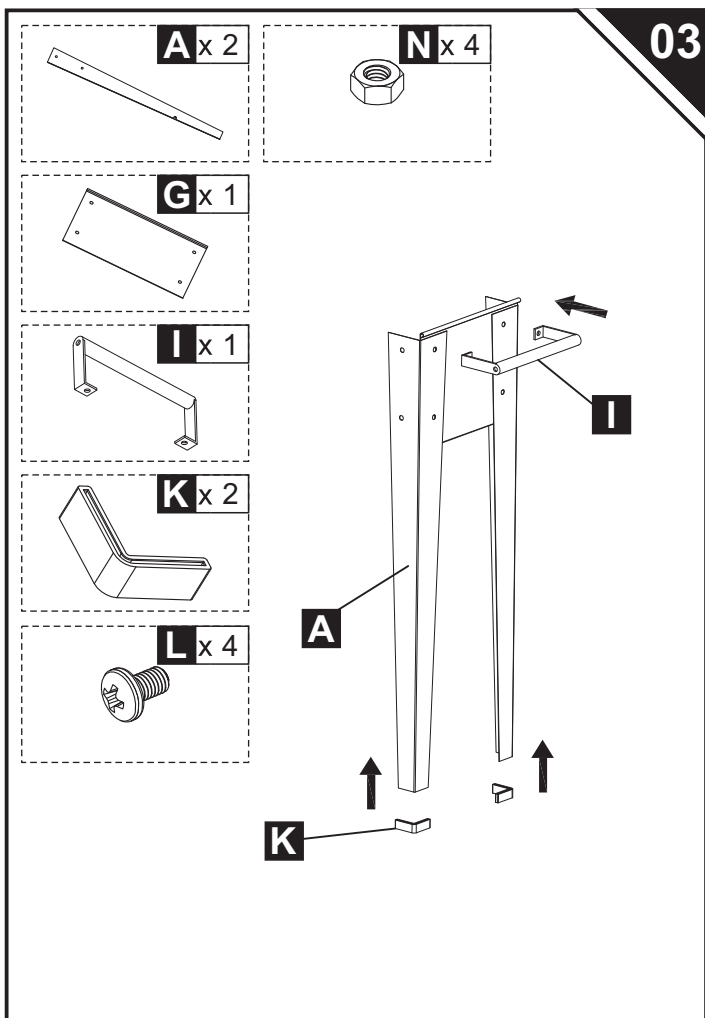
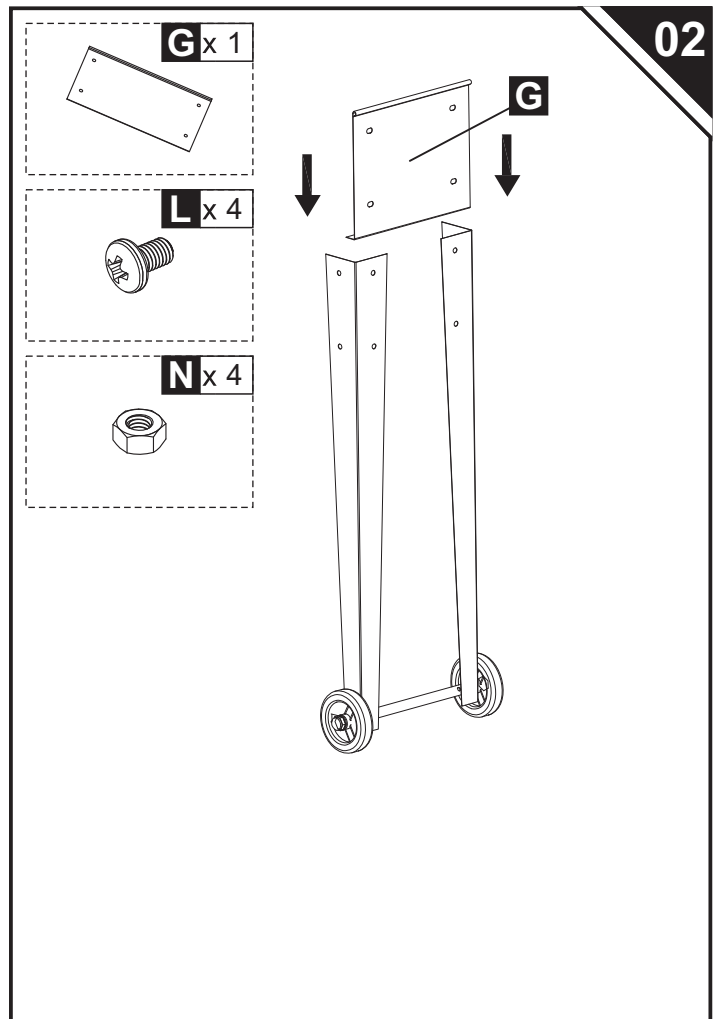
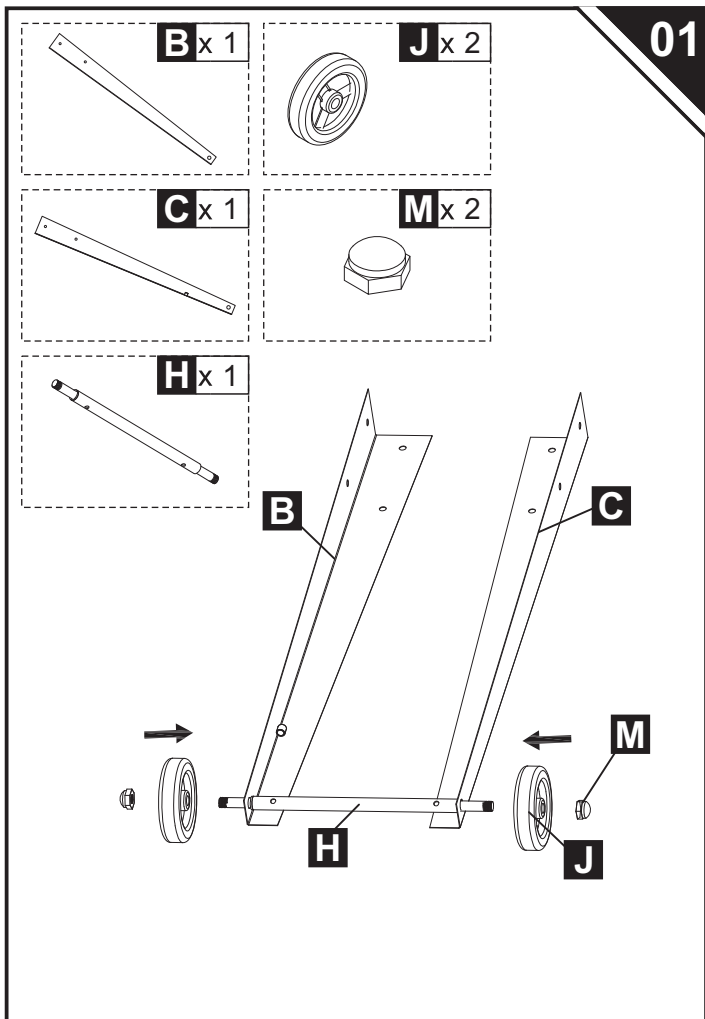


M x 2



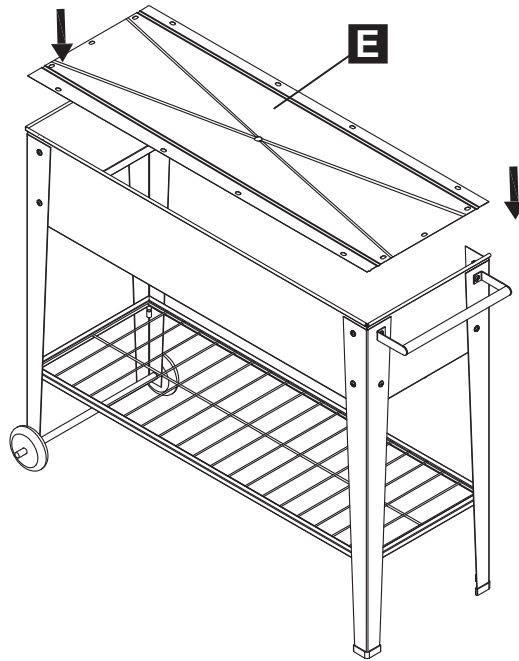
N x 30
+2(spare)





05

E x 1



06

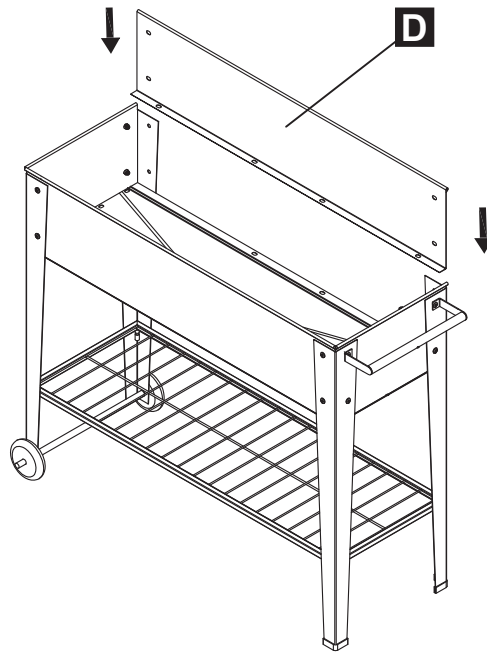
D x 1



N x 18



L x 18



Done

