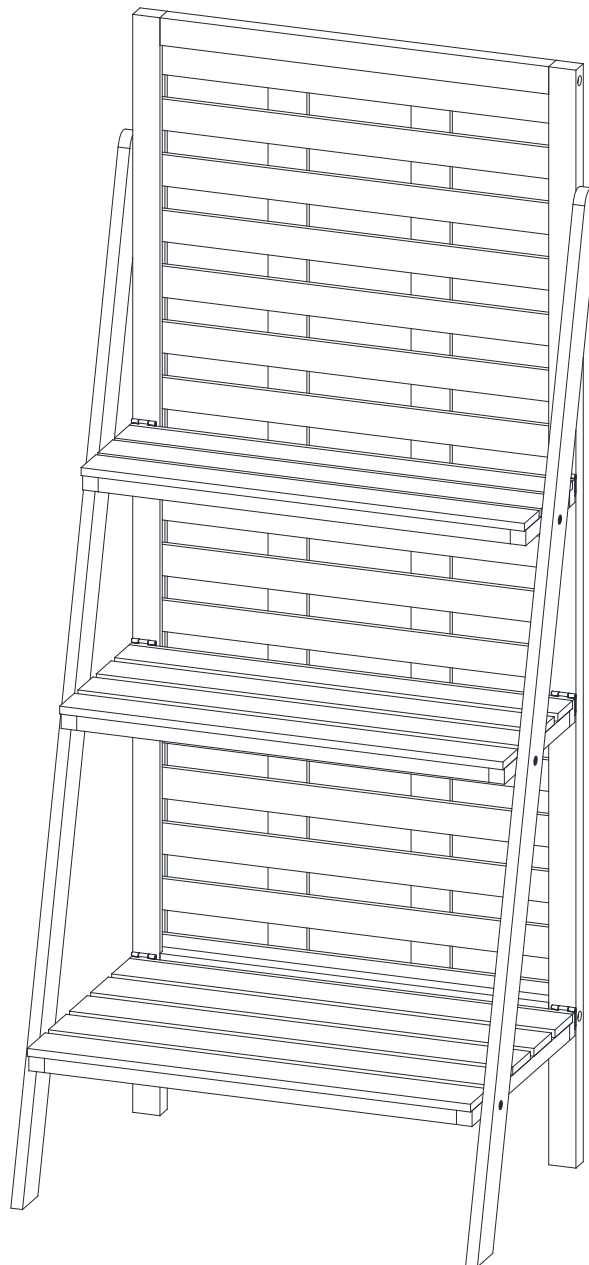




INbmb040V01_GL

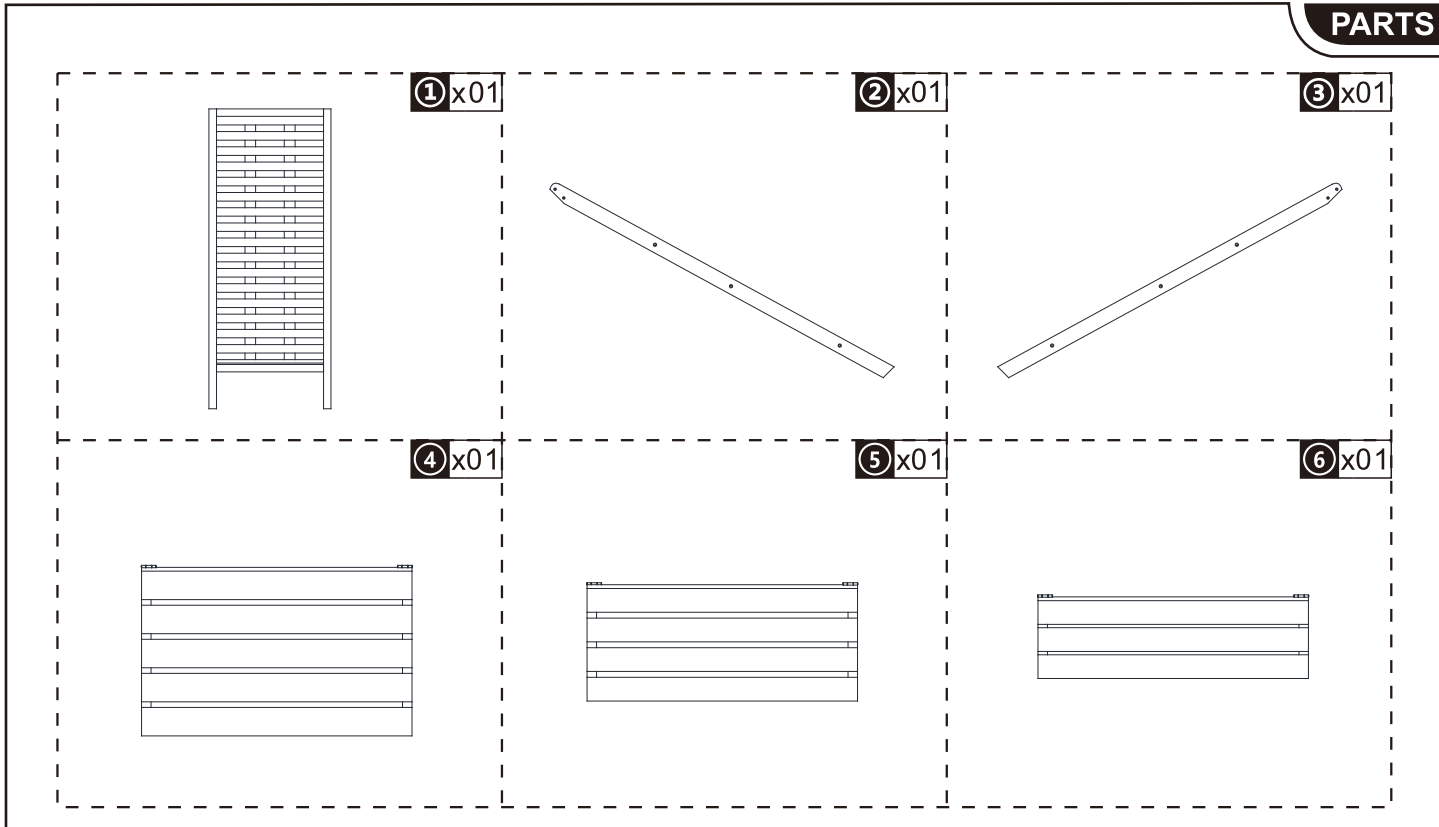
845-274



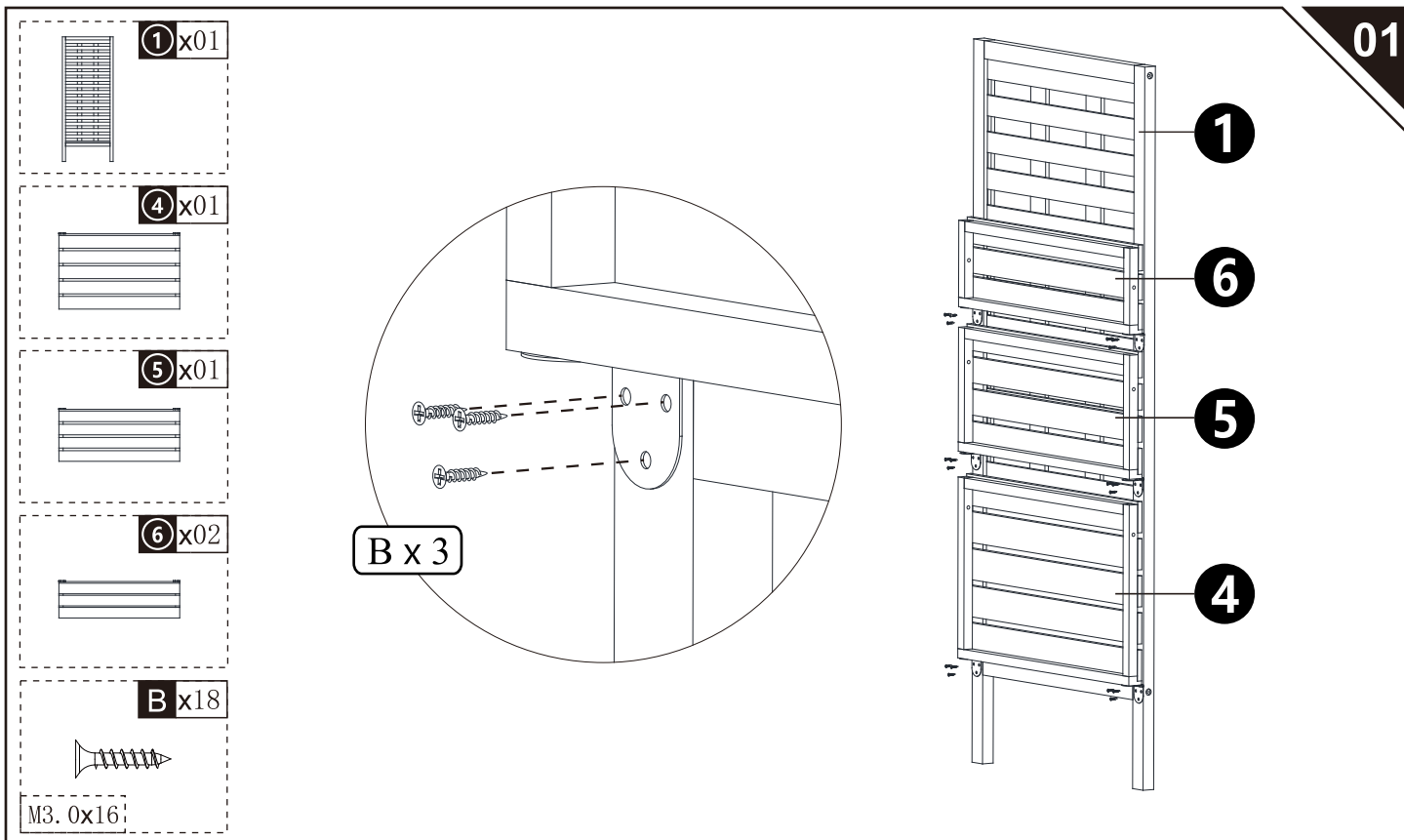
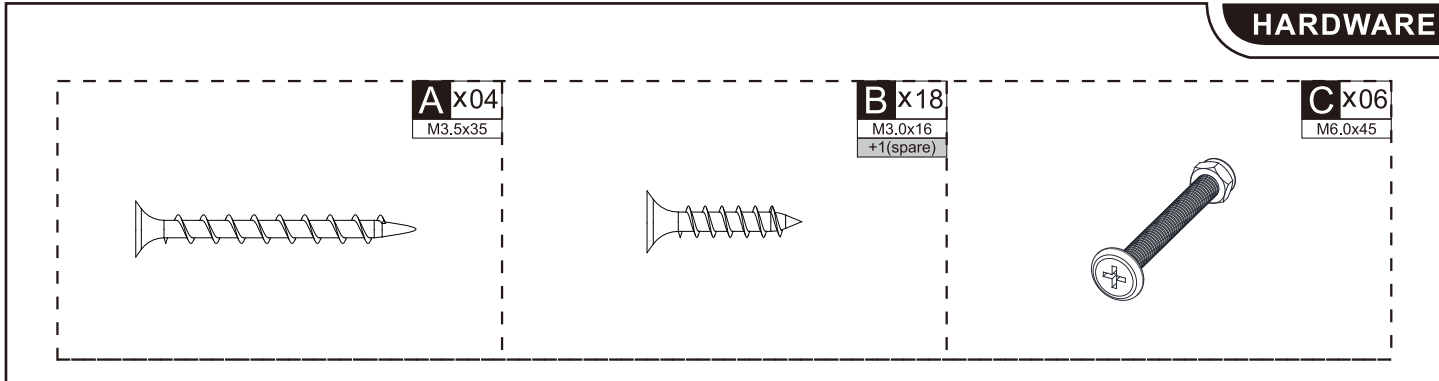
IMPORTANT, RETAIN FOR FUTURE REFERENCE: READ CAREFULLY

ASSEMBLY & INSTRUCTION MANUAL

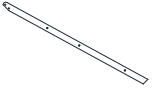
PARTS



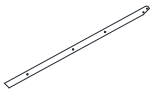
HARDWARE



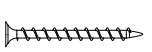
2 x02



3 x01



A x04



M3. 5x35

C x06



M6. 0x45

