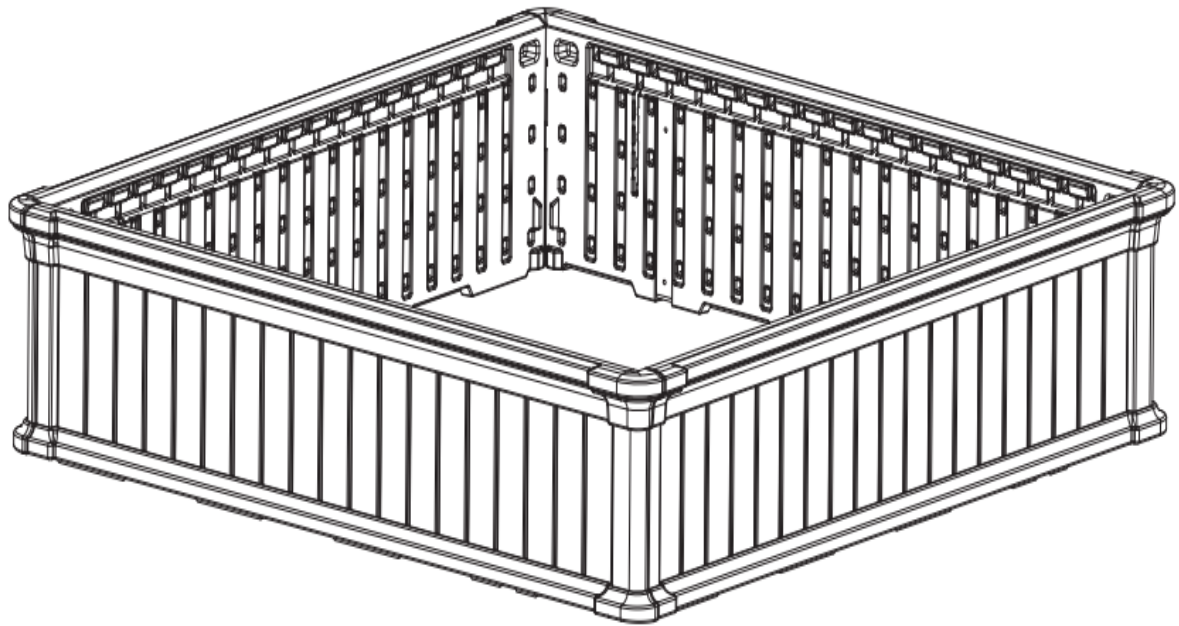




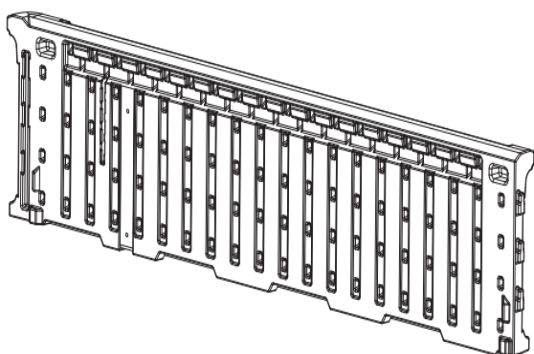
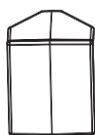
INbmb049_GL

845-347



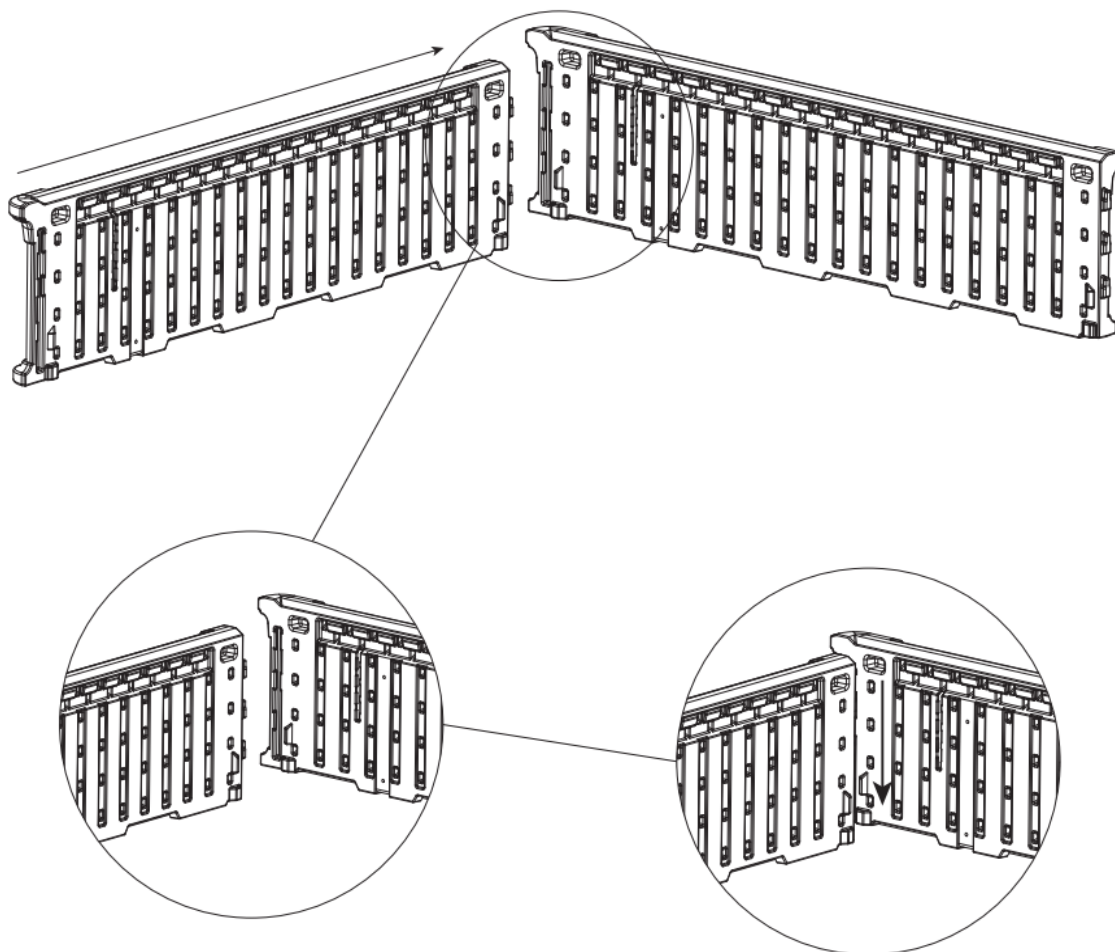
READ AND SAVE THIS INSTRUCTIONS FOR FUTURE USE

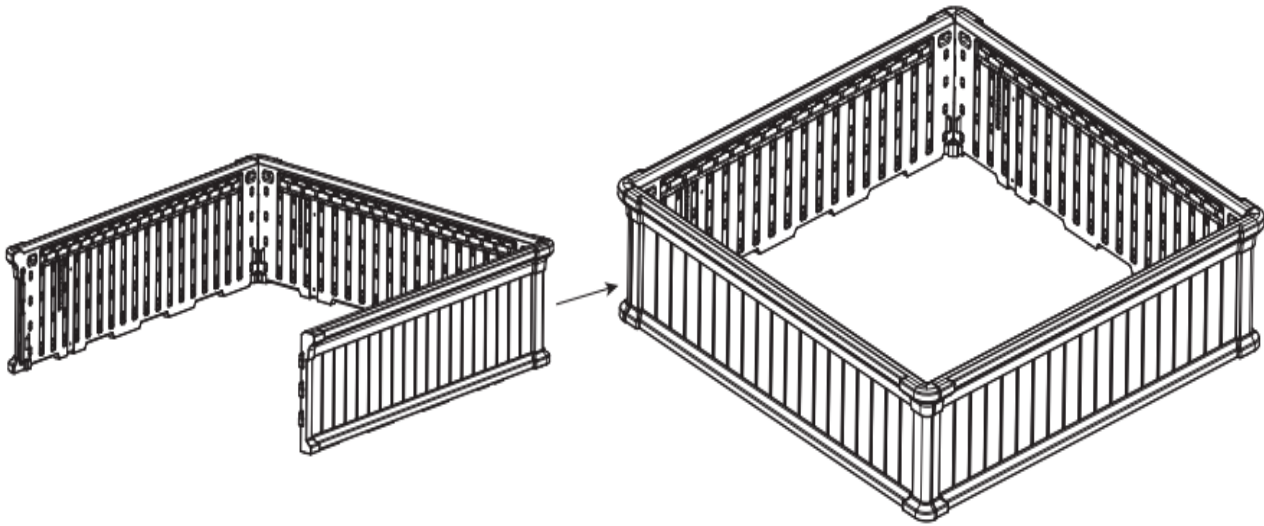
ASSEMBLY & INSTRUCTION MANUAL

Ax4**B**x4

Insert the tabs in the end of a Panel into the slot in a second Panel.
Slide the the second Panel downward.

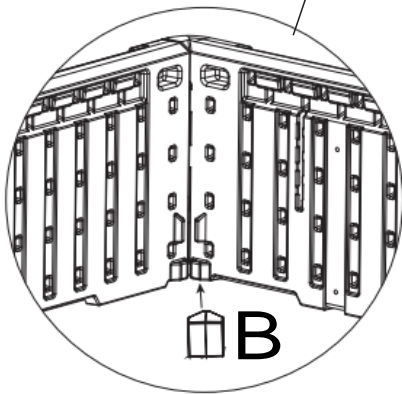
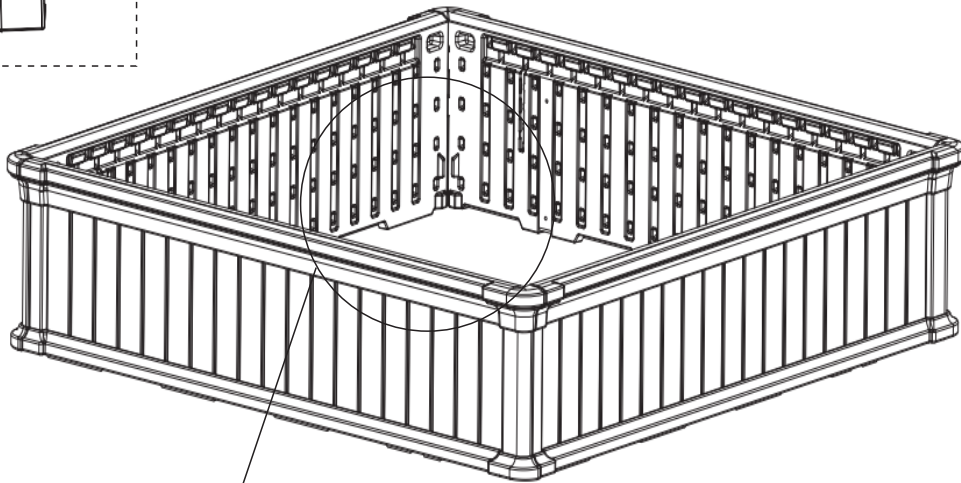
01



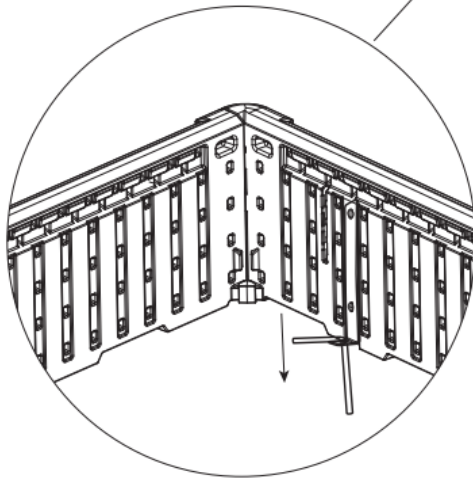
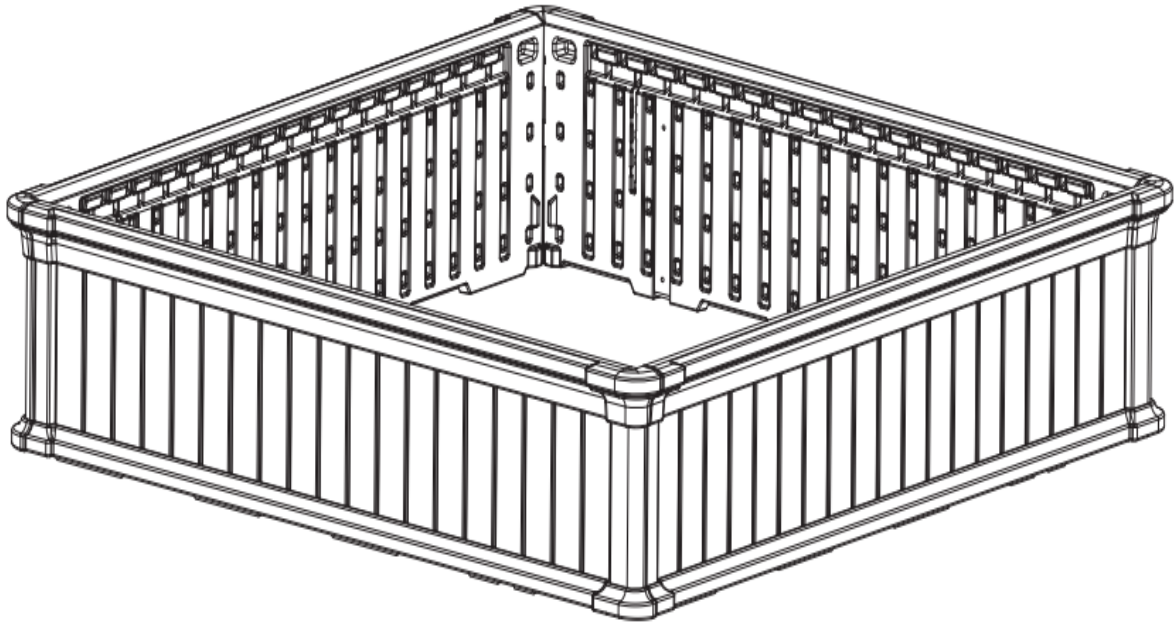


insert a Short Corner Bracket into each corner as shown to help hold the Panels in place.

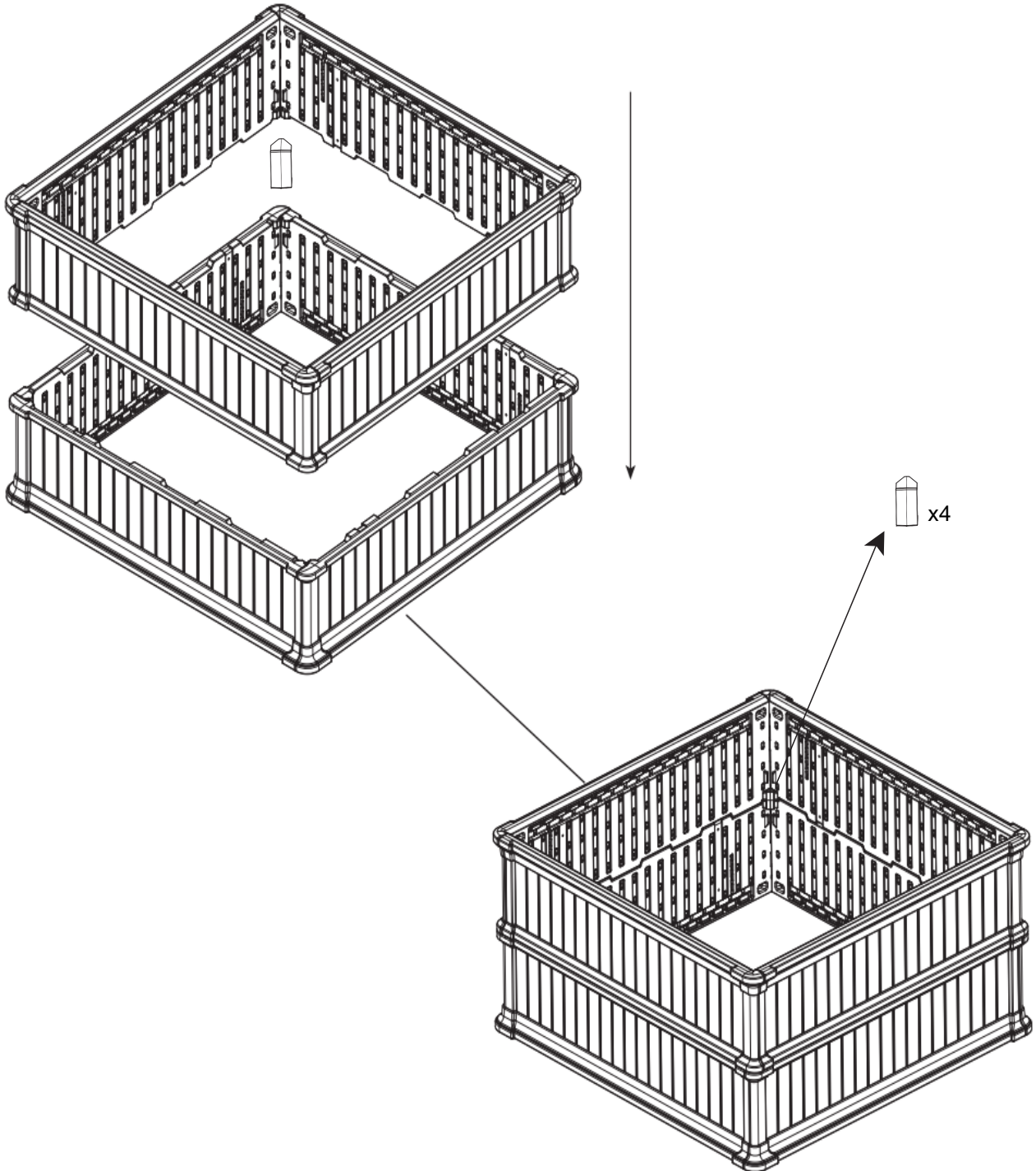
Bx4



Screw the "L" metal piece into the panel. Insert the "L" pin into ground.



Option: If you plan on stacking two Beds, turn one Bed upside down so the tabs along the Panels face downward. Set this Bed down onto a second Bed that has its tabs facing upward as shown.



US



001-877-644-9366
customerservice@aosom.com

CA



001-855-537-6088
customerservice@aosom.ca

UK



0044-800-240-4004
enquiries@mhstar.co.uk

DE



0049-(0)40-88307530
service@aosom.de

FR



0033-1-84166106
contact@aosom.fr

ES



0034-931294512
atencioncliente@aosom.es

IT



0039-0249471447
clienti@aosom.it