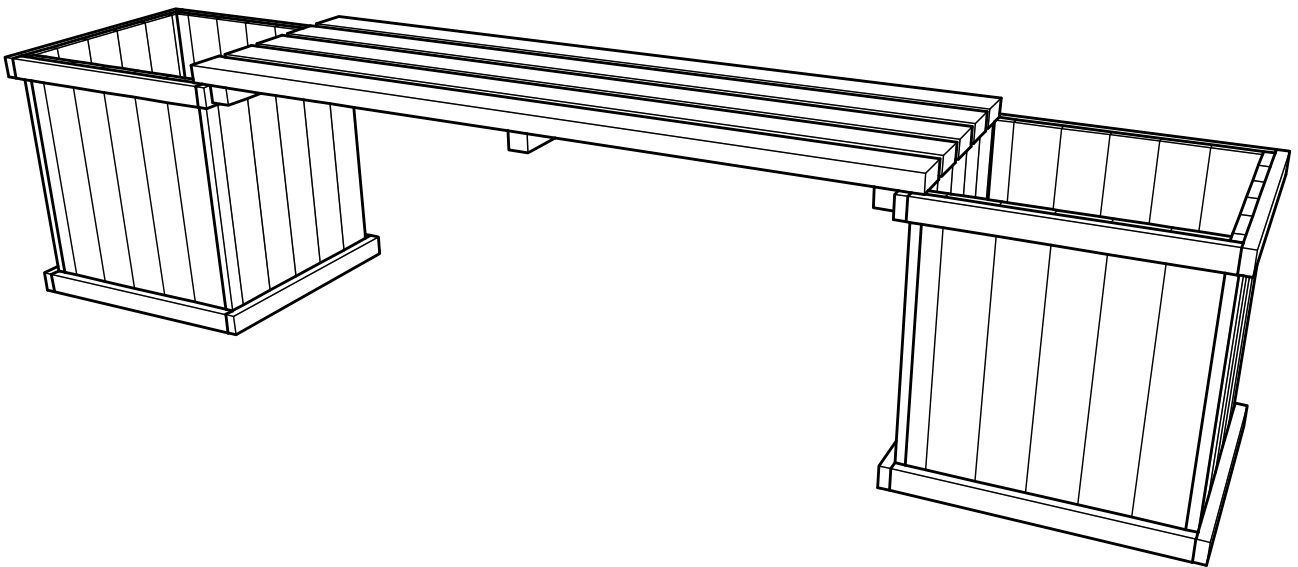




INbmb055V02_GL

845-438

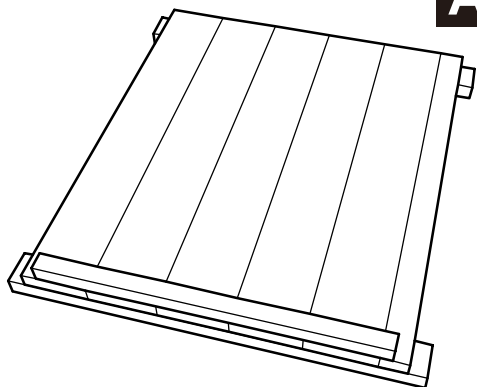


IMPORTANT, RETAIN FOR FUTURE REFERENCE: READ CAREFULLY

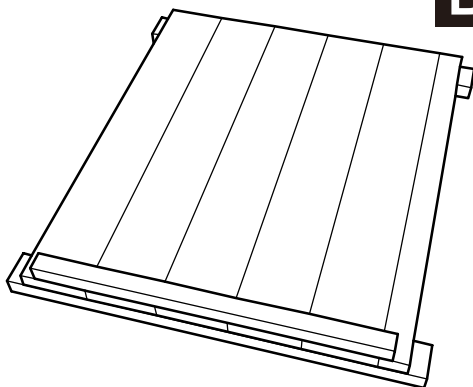
ASSEMBLY & INSTRUCTION MANUAL

PARTS

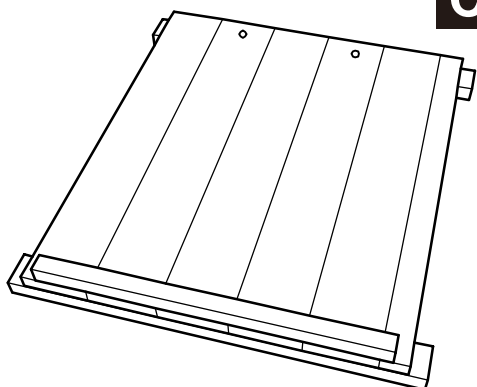
A x04



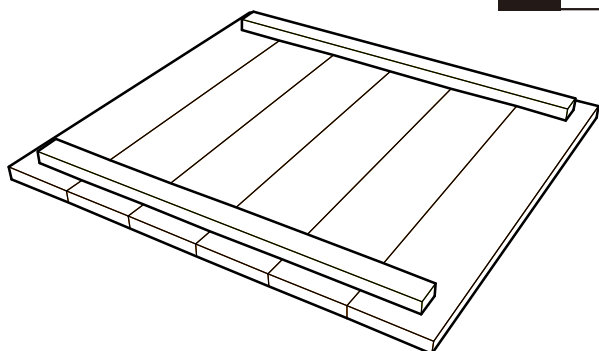
B x02



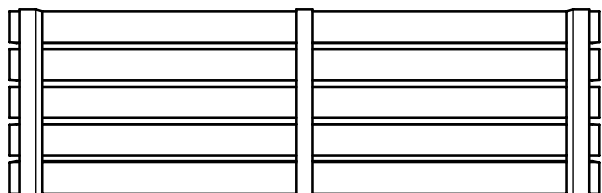
C x02



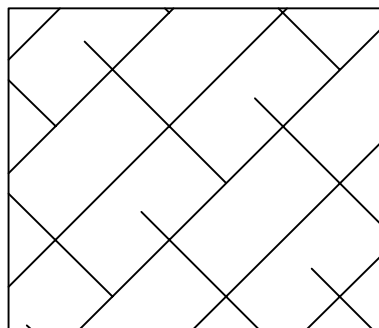
D x02



E x01

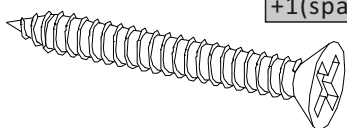


I x02

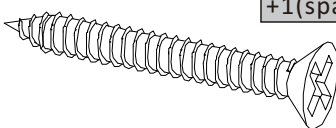


HARDWARE

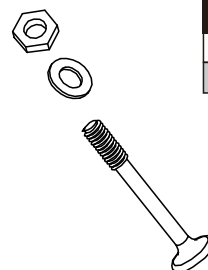
F x16
M3.5*30
+1(spare)



G x16
M3.5*40
+1(spare)



H x04
M6*70
+1(spare)



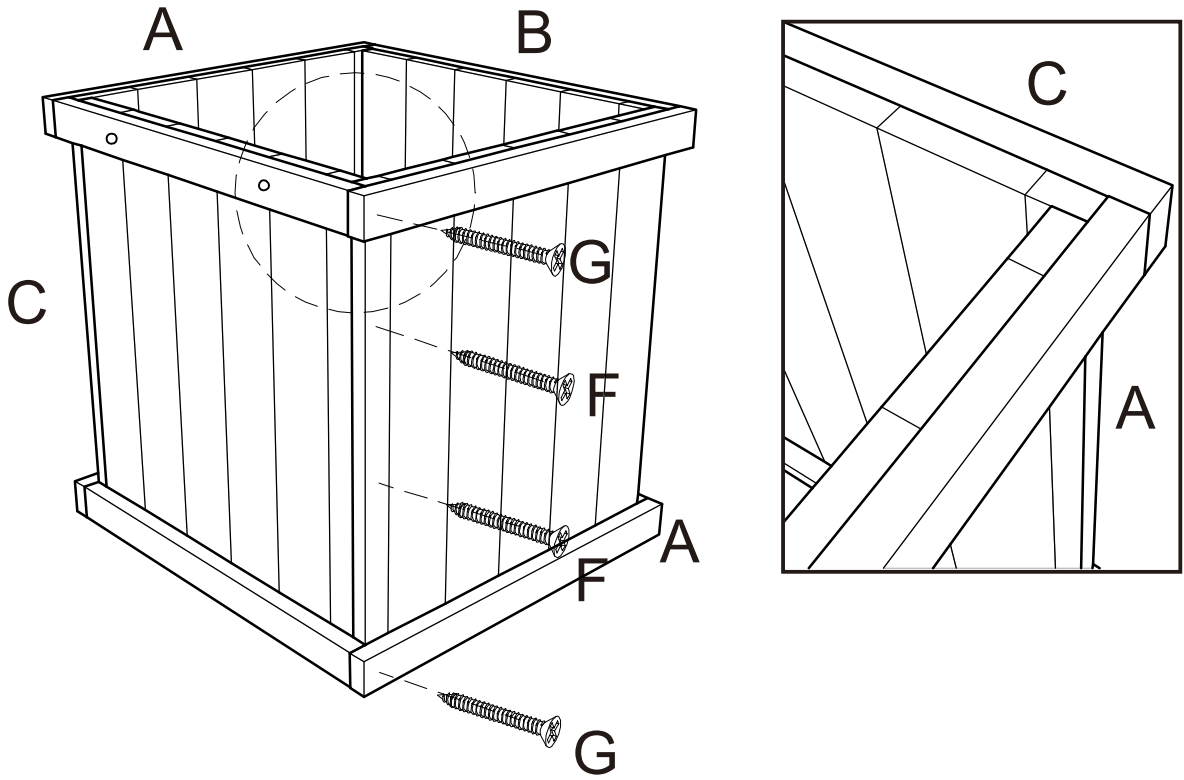
A x02

B x01

C x01

F x08
M3.5*30

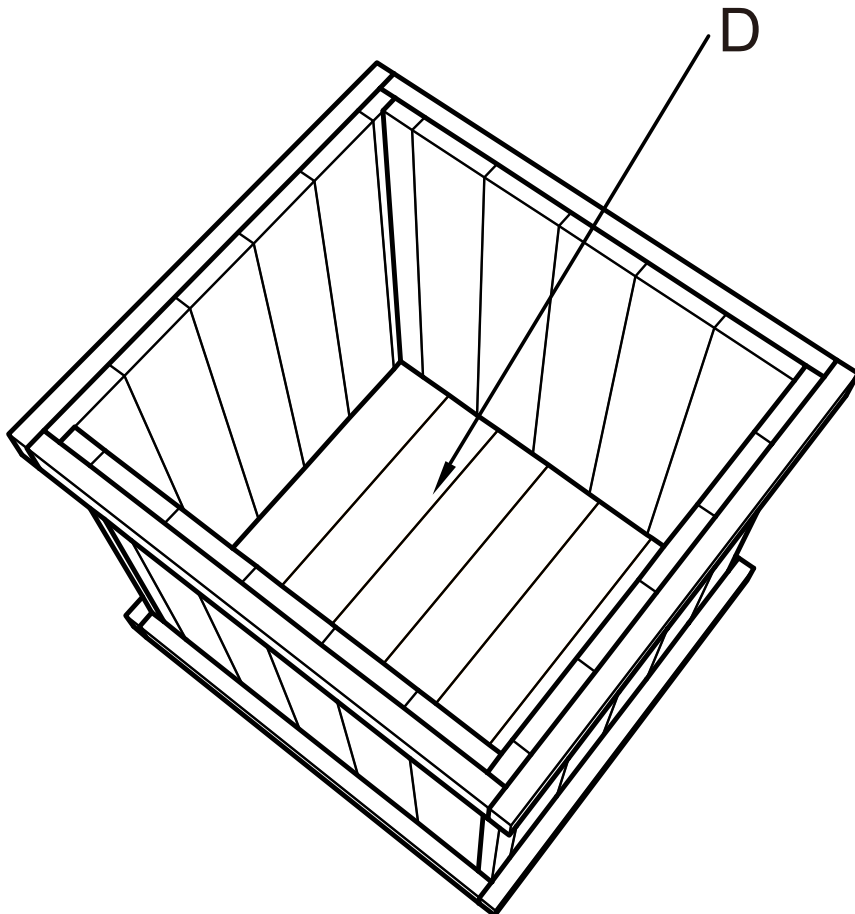
G x08
M3.5*40



x2

D x01

I x01



x2

E x01

H x04
M6*70

