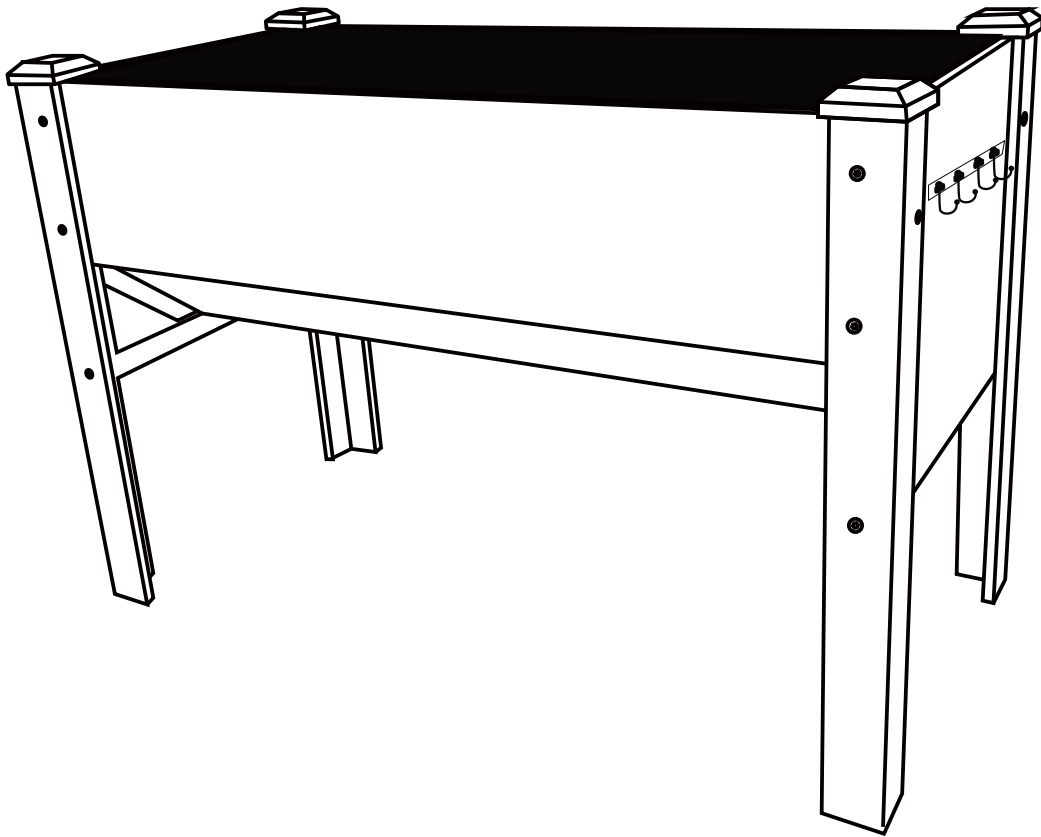




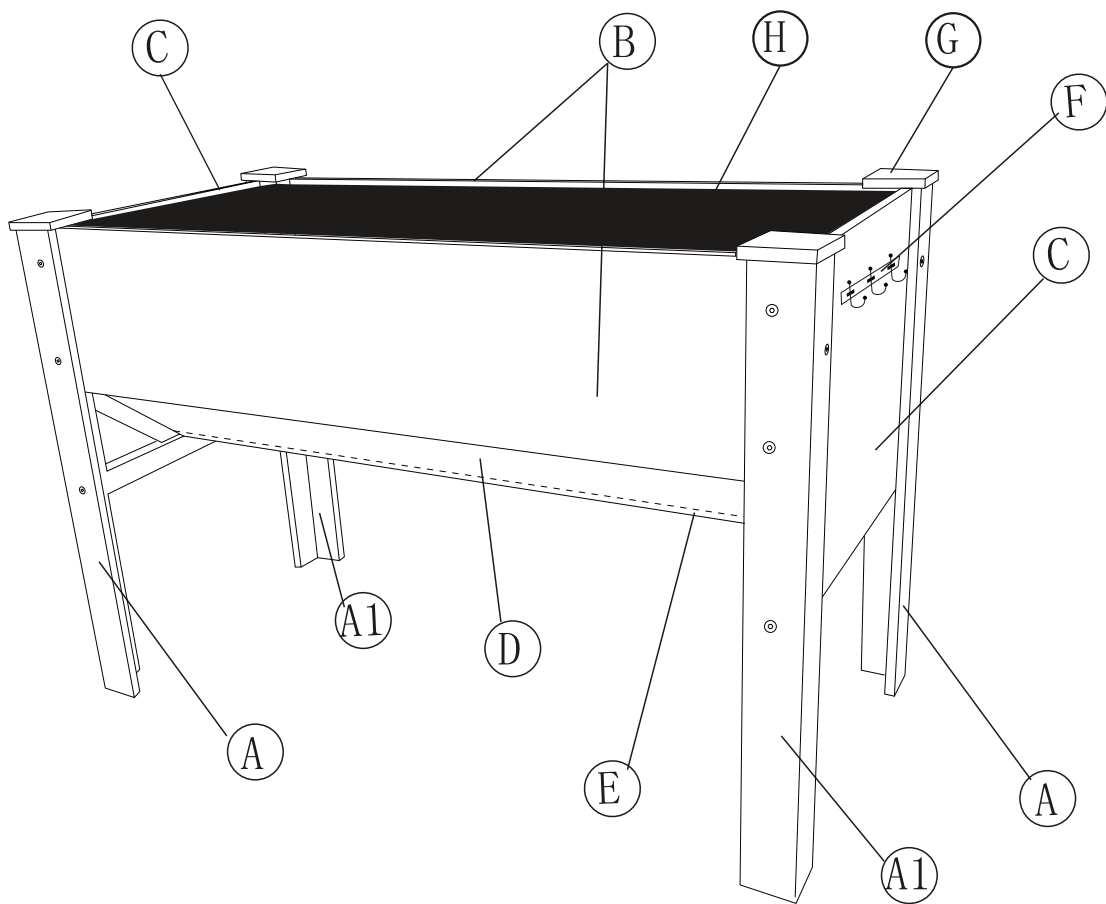
INbmb059V01\_GL

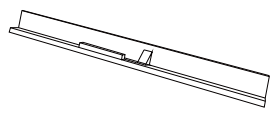
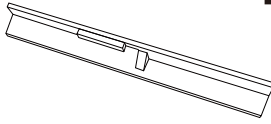

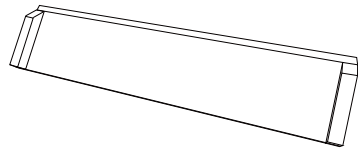
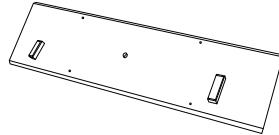
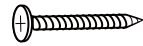
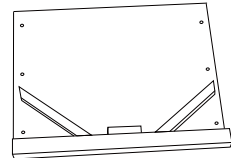
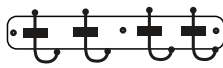

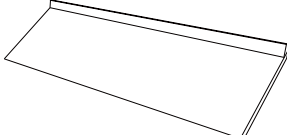
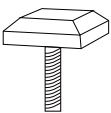
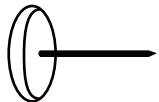



**845-367**



IMPORTANT, RETAIN FOR FUTURE REFERENCE: READ CAREFULLY

**ASSEMBLY & INSTRUCTION MANUAL**

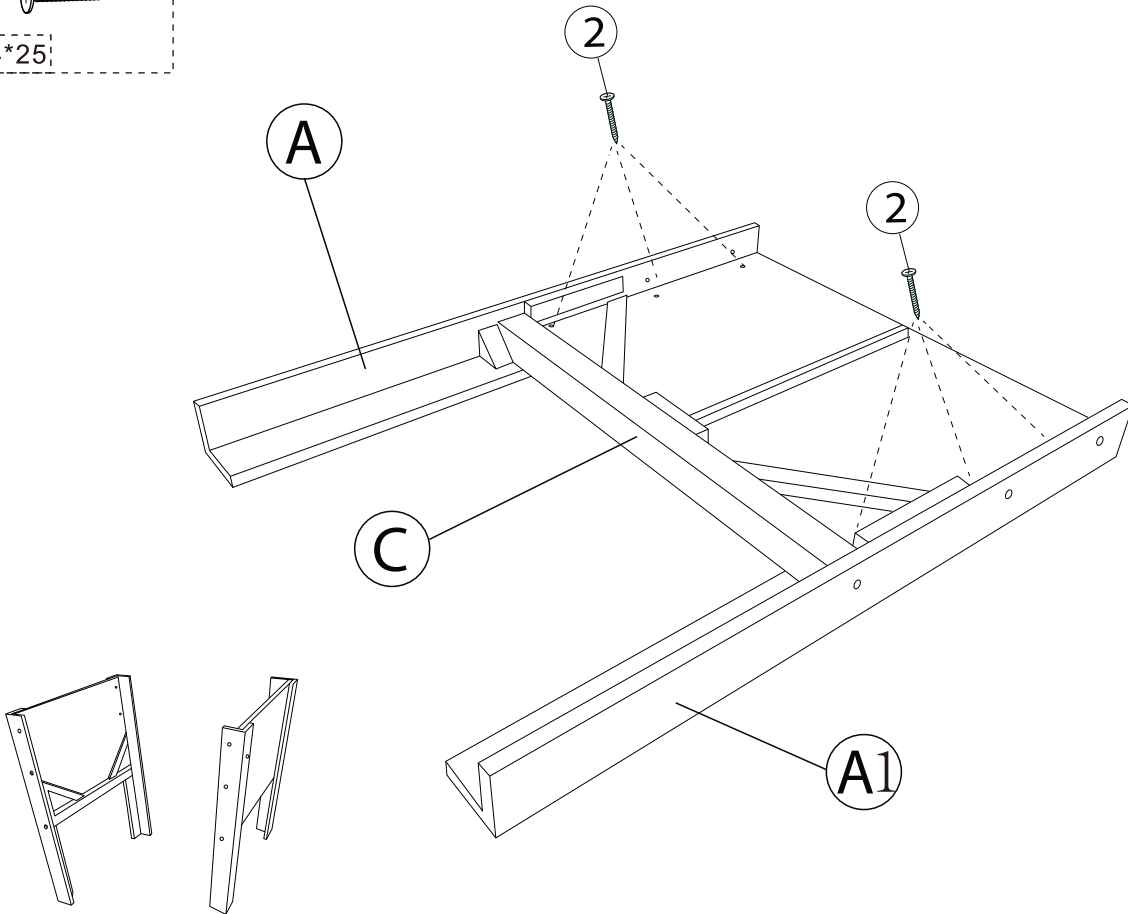


 <p><b>A</b> x 2</p>	 <p><b>A1</b> x 2</p>	 <p><b>①</b> x 16 +1(spare)</p>
 <p><b>B</b> x 2</p>	 <p><b>E</b> x 1</p>	<p>M6*40;</p>  <p><b>②</b> x 16 +1(spare)</p>
 <p><b>C</b> x 2</p>	 <p><b>F</b> x 1</p>	<p>M4*25;</p>  <p><b>③</b> x 3</p>
 <p><b>D</b> x 2</p>	 <p><b>G</b> x 4</p>	<p>M2.5*12;</p>  <p><b>④</b> x 10 +1(spare)</p>
 <p><b>H</b> x 1</p>	 <p><b>H</b> x 1</p>	<p><b>⑤</b> x 1</p> 

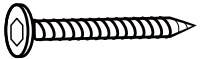
②x12



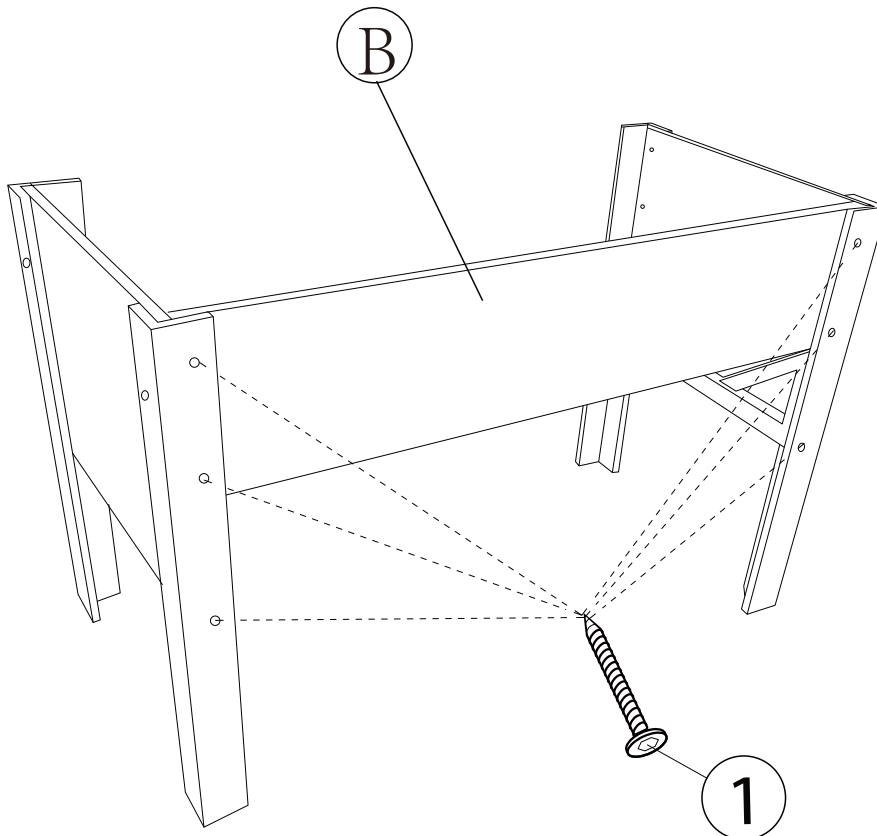
M4\*25



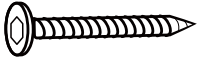
①x6



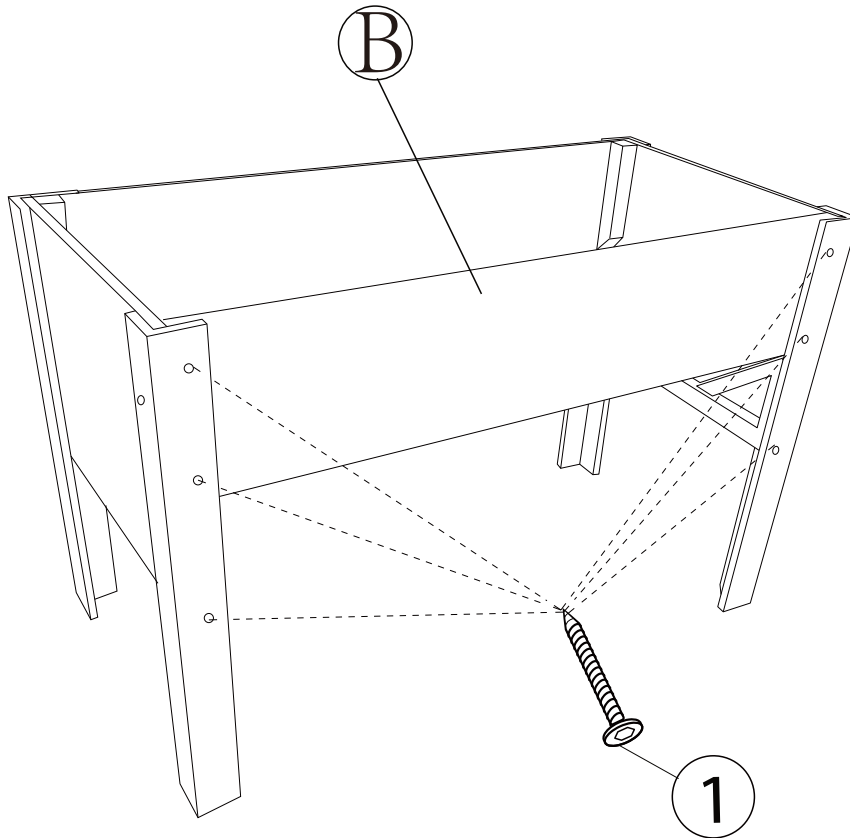
M6\*40



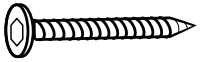
① x 6



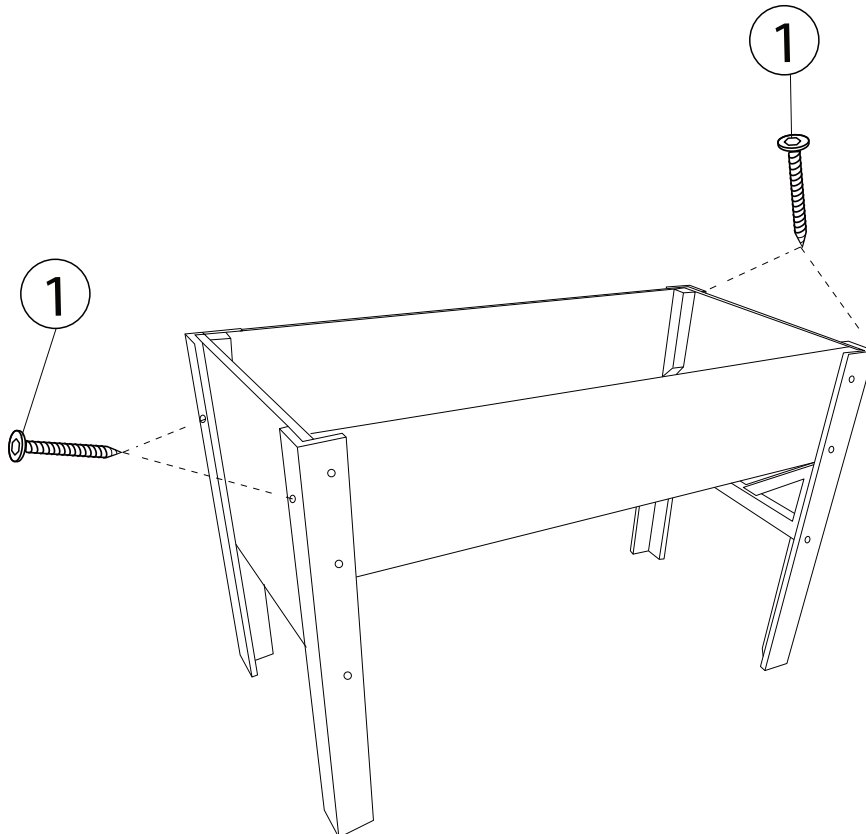
M6\*40

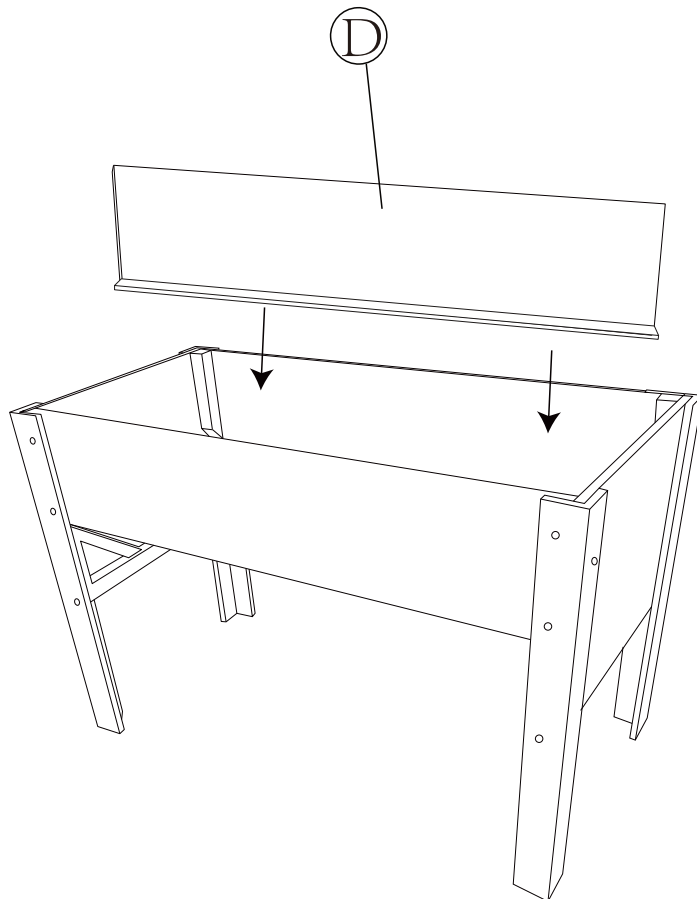
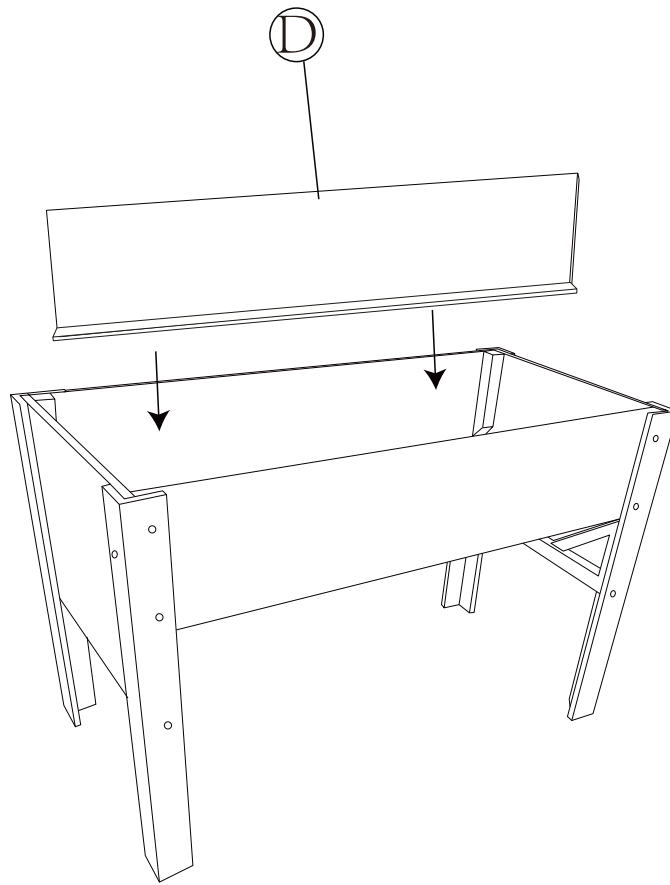


① x 4



M6\*40

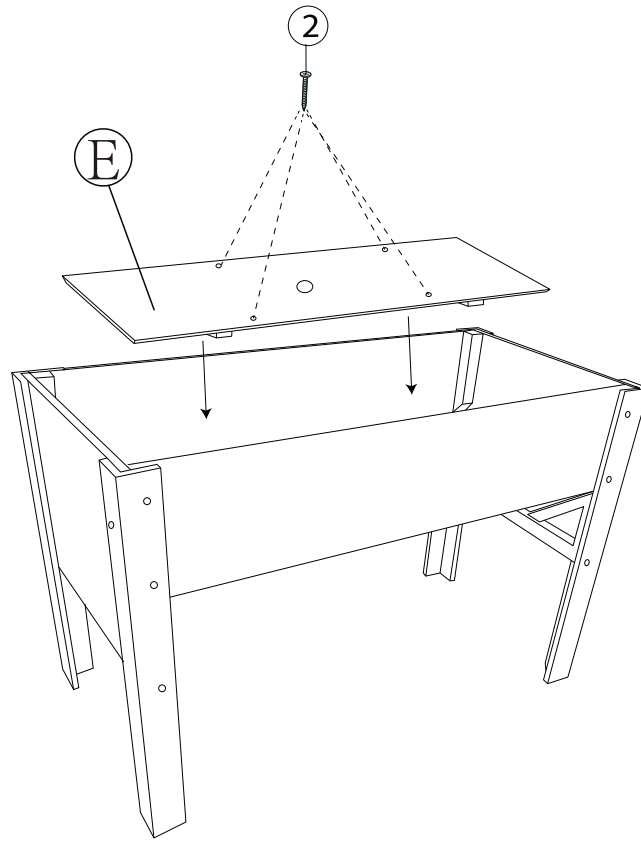




② x 4



M4\*25



③ x 3



M2.5\*12

