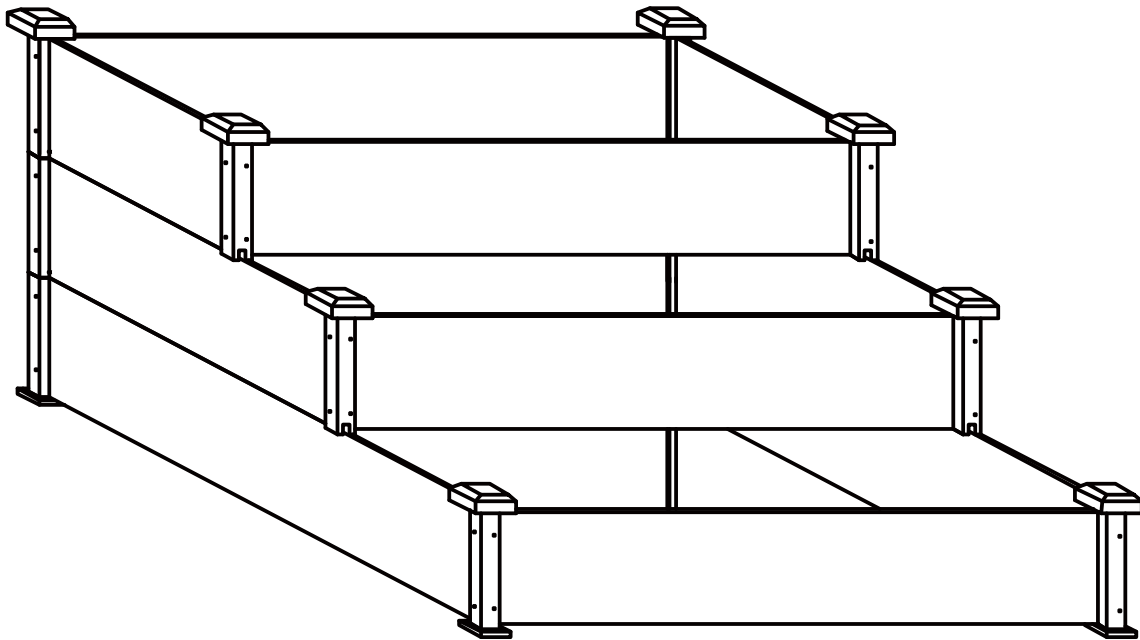




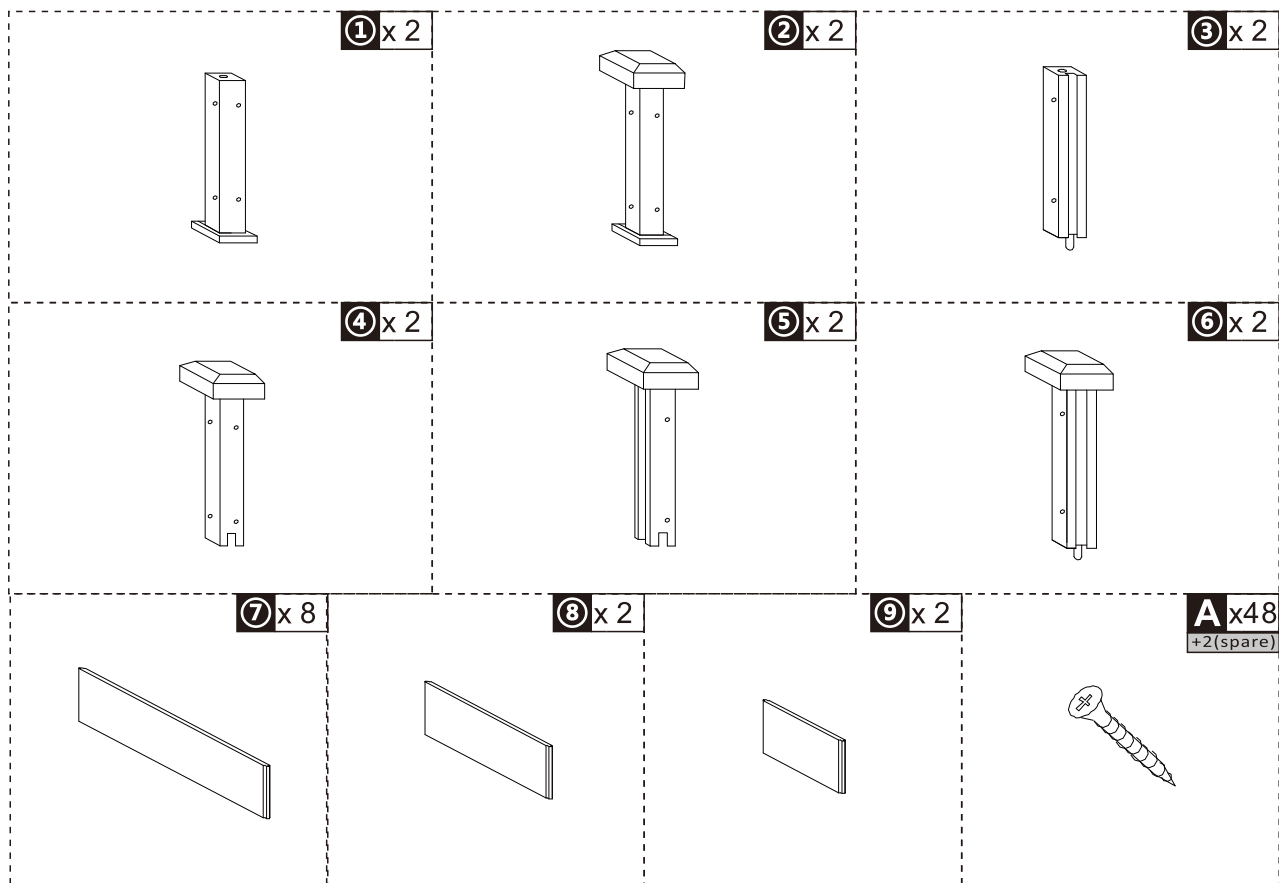
INbmb067V01_GL

845-451



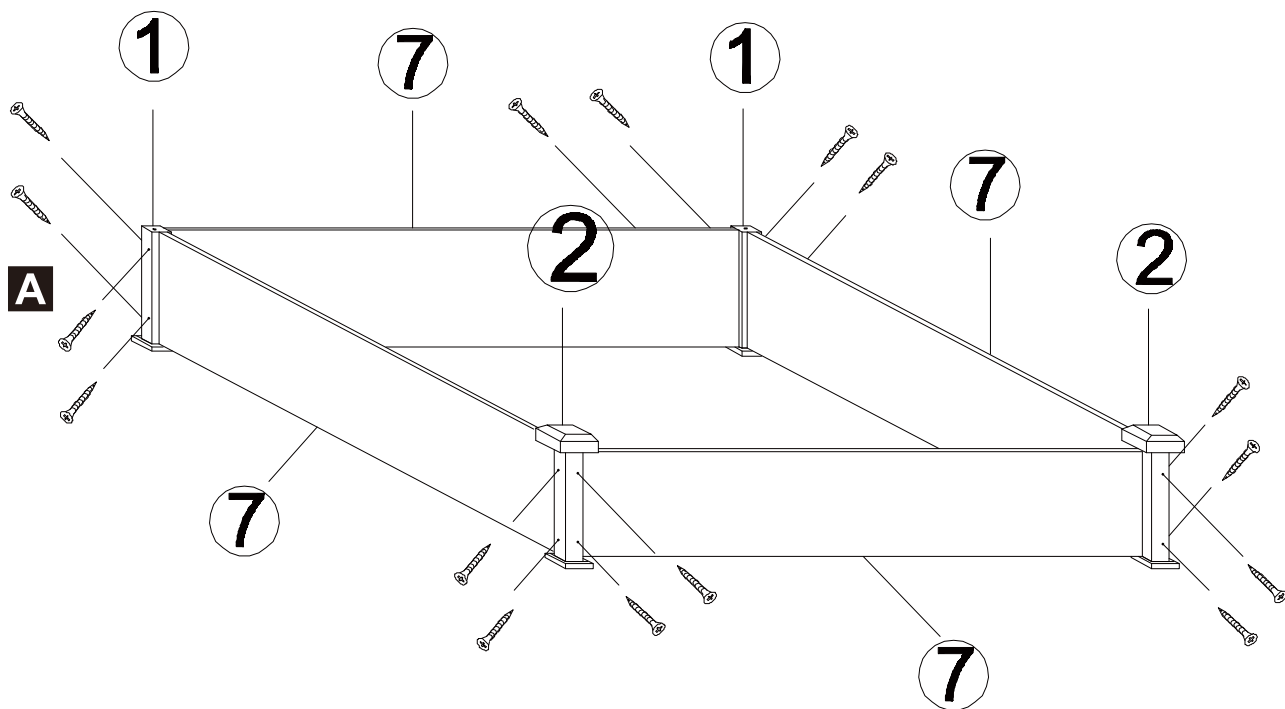
IMPORTANT, RETAIN FOR FUTURE REFERENCE: READ CAREFULLY

ASSEMBLY & INSTRUCTION MANUAL

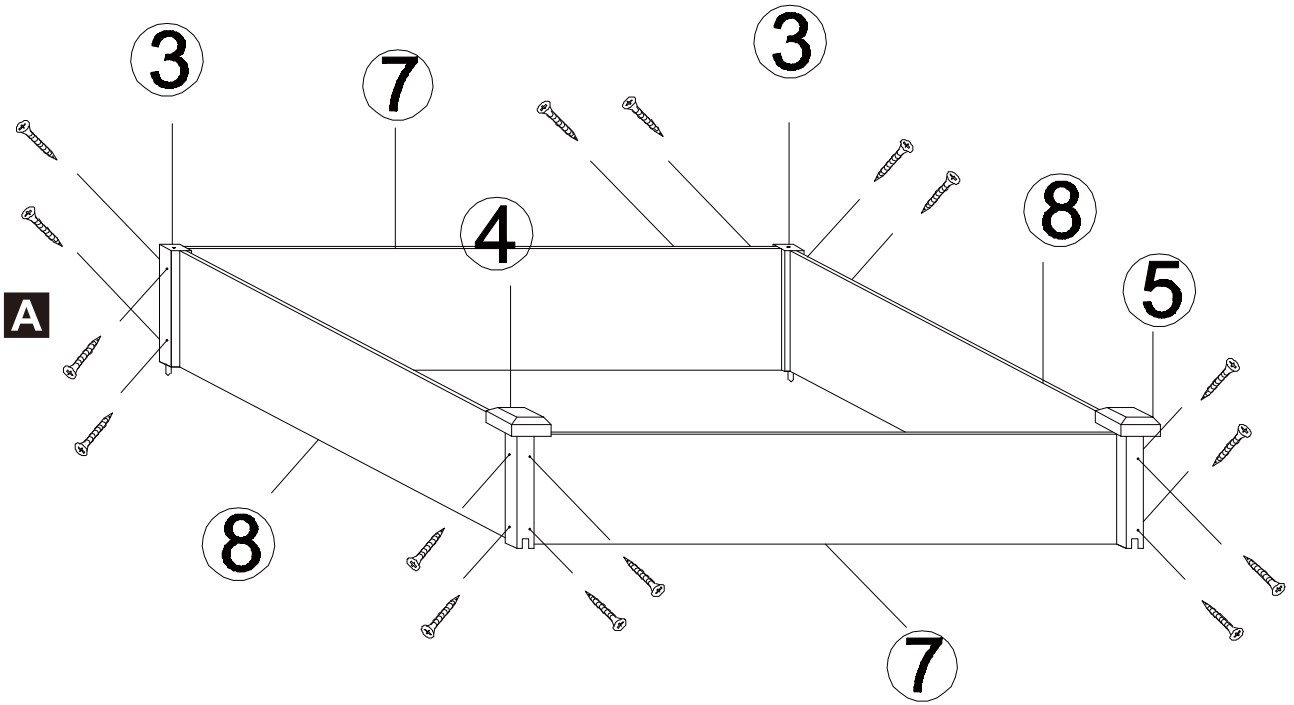


A x 16

01



Ax16



Ax16

