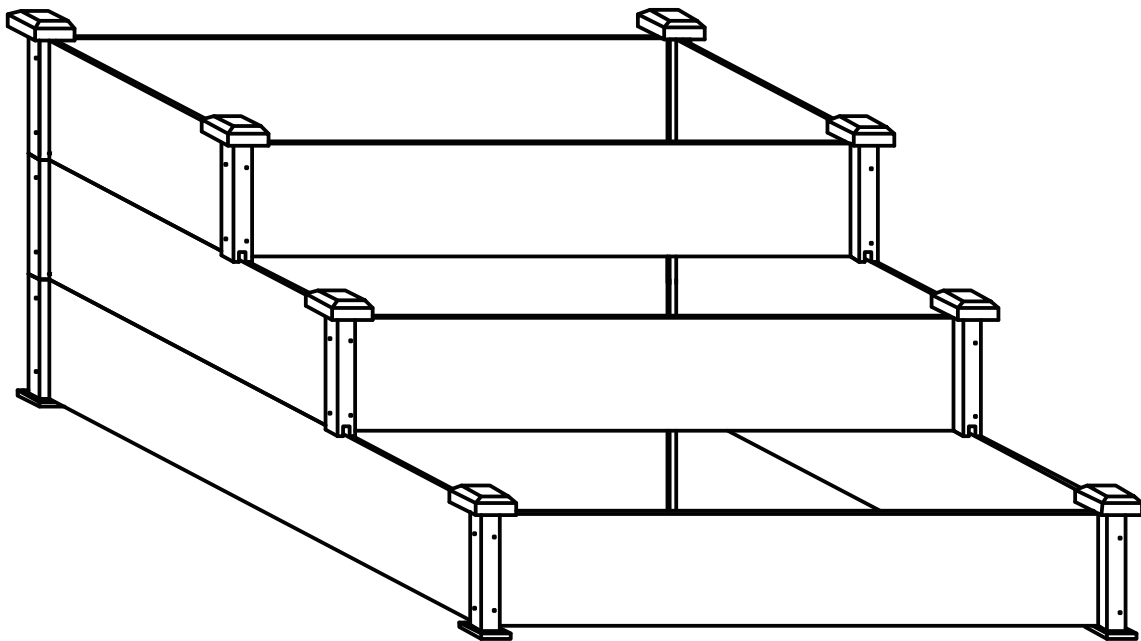




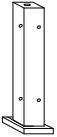
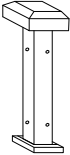

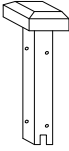
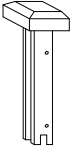
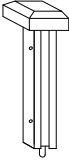
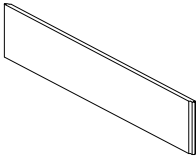
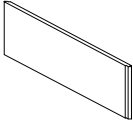
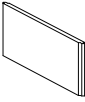

INbmb067\_GL

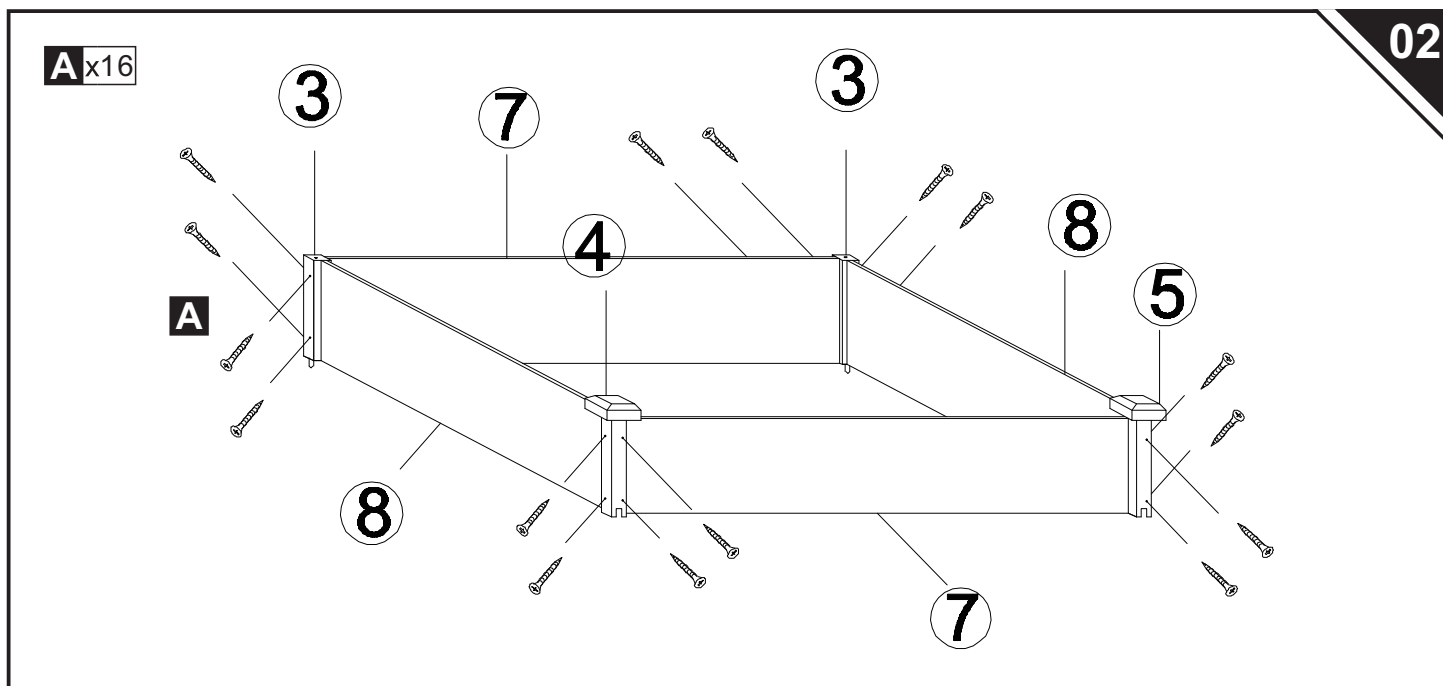
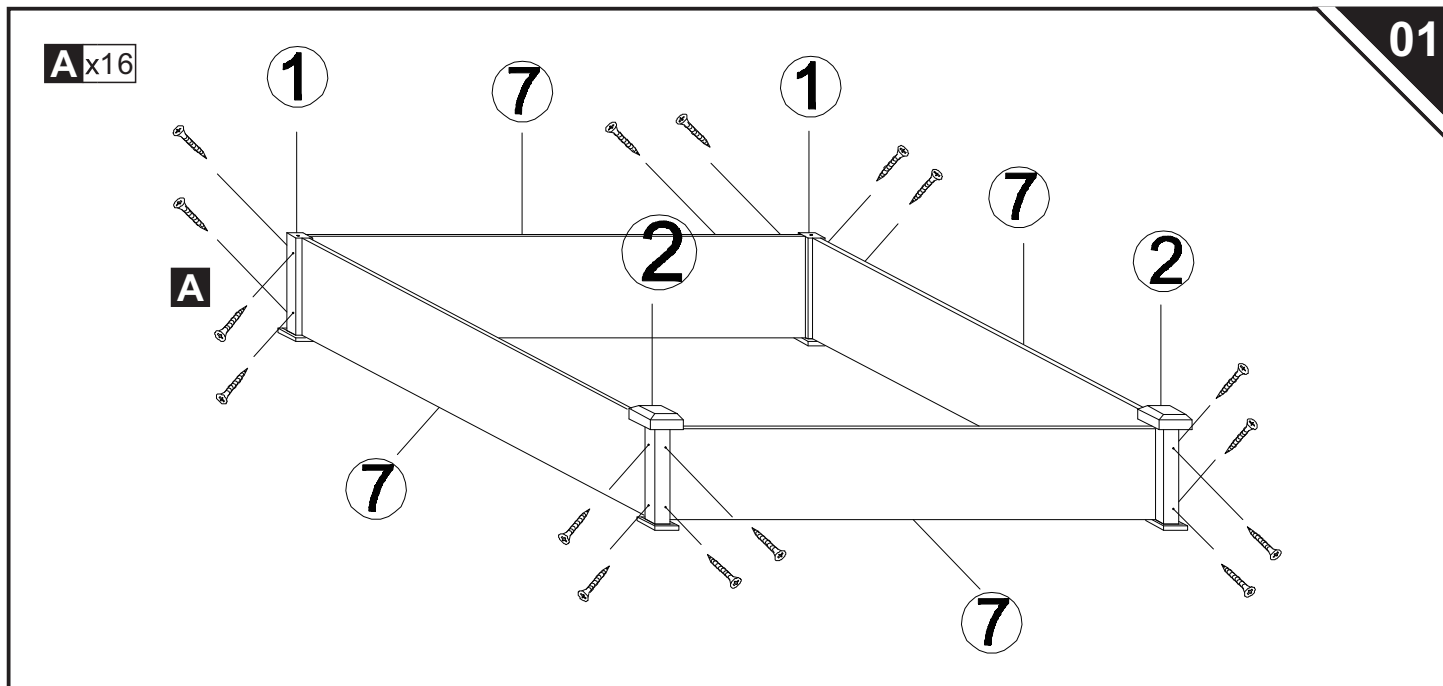
**845-451**



READ AND SAVE THIS INSTRUCTIONS FOR FUTURE USE

**ASSEMBLY & INSTRUCTION MANUAL**

|   |   |   |   |   |
|---|---|---|---|---|
| <b>①</b> x 2  | <b>②</b> x 2  | <b>③</b> x 2  | <b>④</b> x 2  | <b>⑤</b> x 2  |
|  |  |  |  |  |
| <b>⑥</b> x 2  | <b>⑦</b> x 8  | <b>⑧</b> x 2  | <b>⑨</b> x 2  | <b>A</b> x 48   |
|  |  |  |  |  |





US



001-877-644-9366  
customerservice@aosom.com

CA



001-855-537-6088  
customerservice@aosom.ca

UK



0044-800-240-4004  
enquiries@mhstar.co.uk

DE



0049-(0)40-88307530  
service@aosom.de

FR



0033-1-84166106  
contact@aosom.fr

ES



0034-931294512  
atencioncliente@aosom.es

IT



0039-0249471447  
clienti@aosom.it