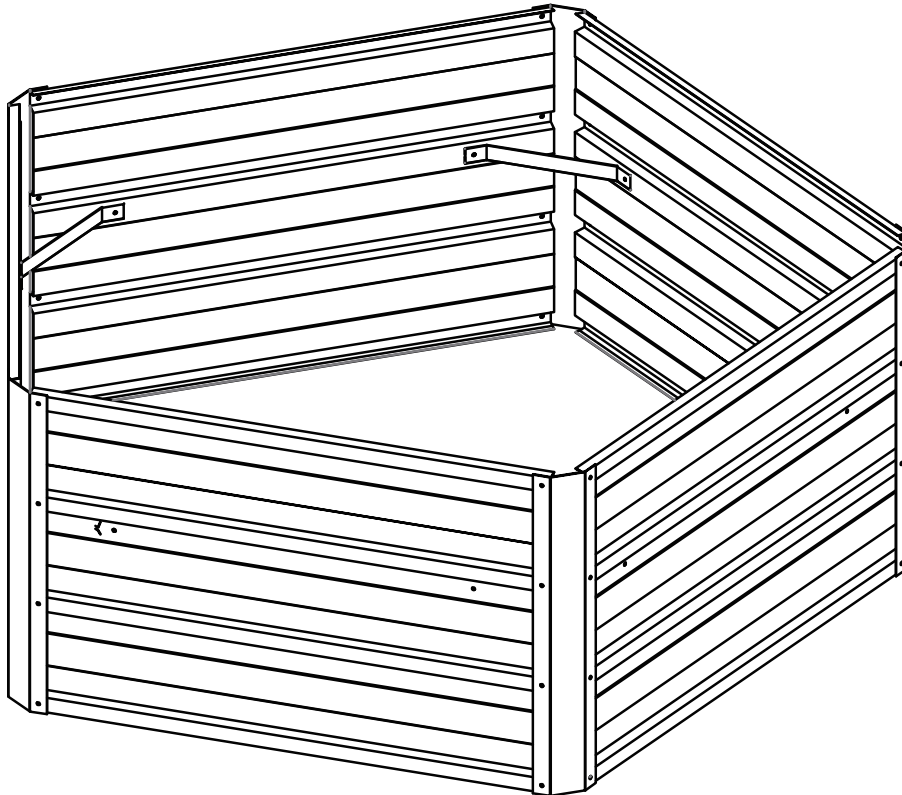




INbmb088_GL

845-642

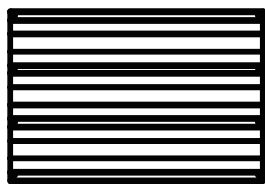


IMPORTANT, RETAIN FOR FUTURE REFERENCE: READ CAREFULLY

ASSEMBLY & INSTRUCTION MANUAL

PARTS

EP2 x 05
L600



EA1 x 05

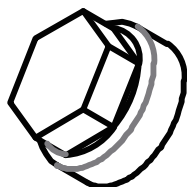


EK2 x 05
L403

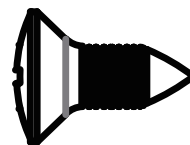


HARDWARE

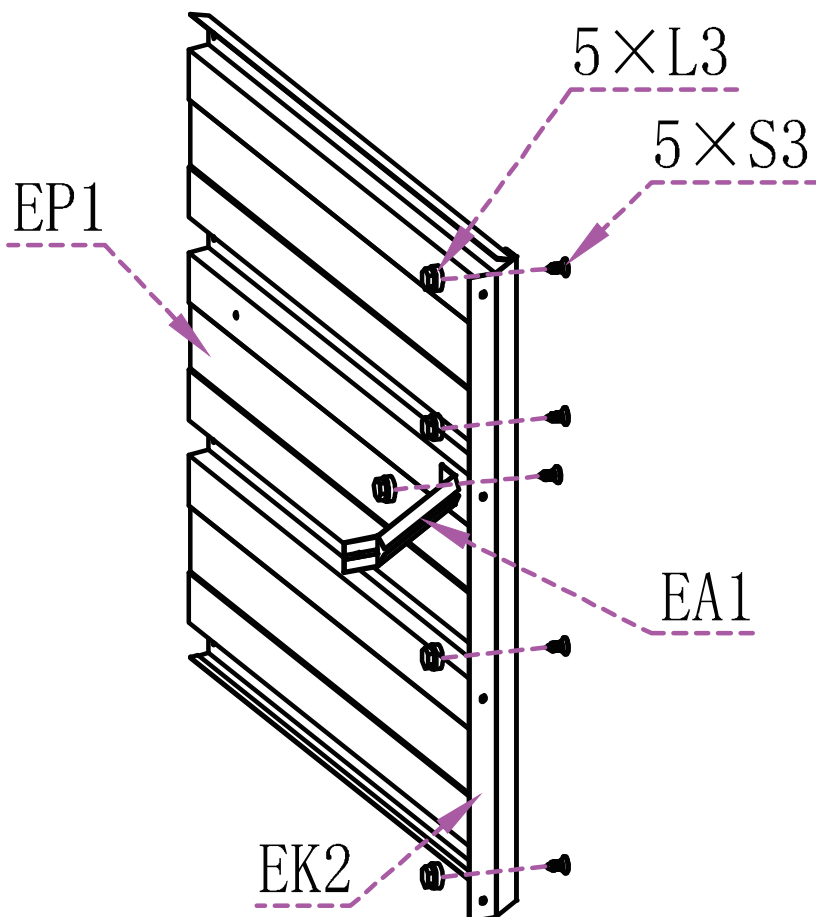
L3 x 50
+2(spare)



S3 x 50
+2(spare)



01



x5

