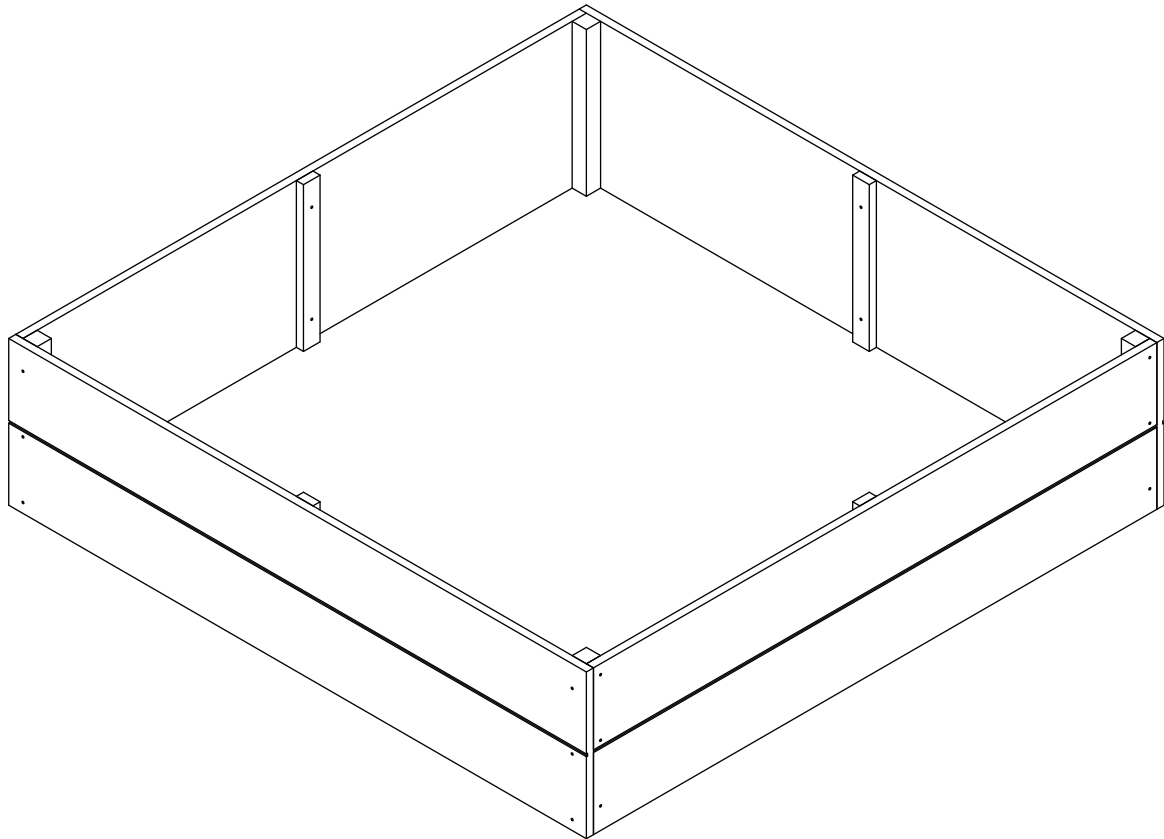




INbmb093_GL

845-580

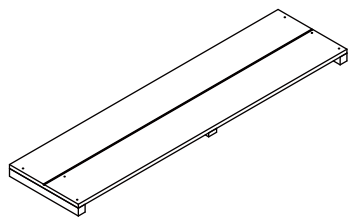


IMPORTANT, RETAIN FOR FUTURE REFERENCE: READ CAREFULLY

ASSEMBLY & INSTRUCTION MANUAL

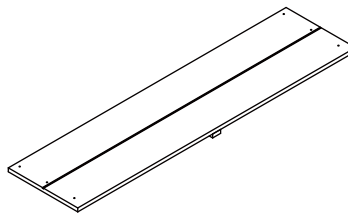
PARTS

1 x 2



1175 × 305 × 40 mm

2 x 2

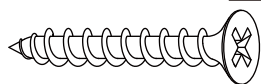


1145 × 305 × 30 mm

HARDWARE

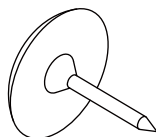
A x12

M3.5*30
+1(spare)

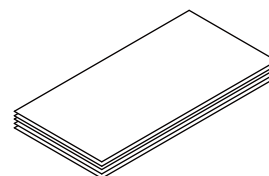


B x24

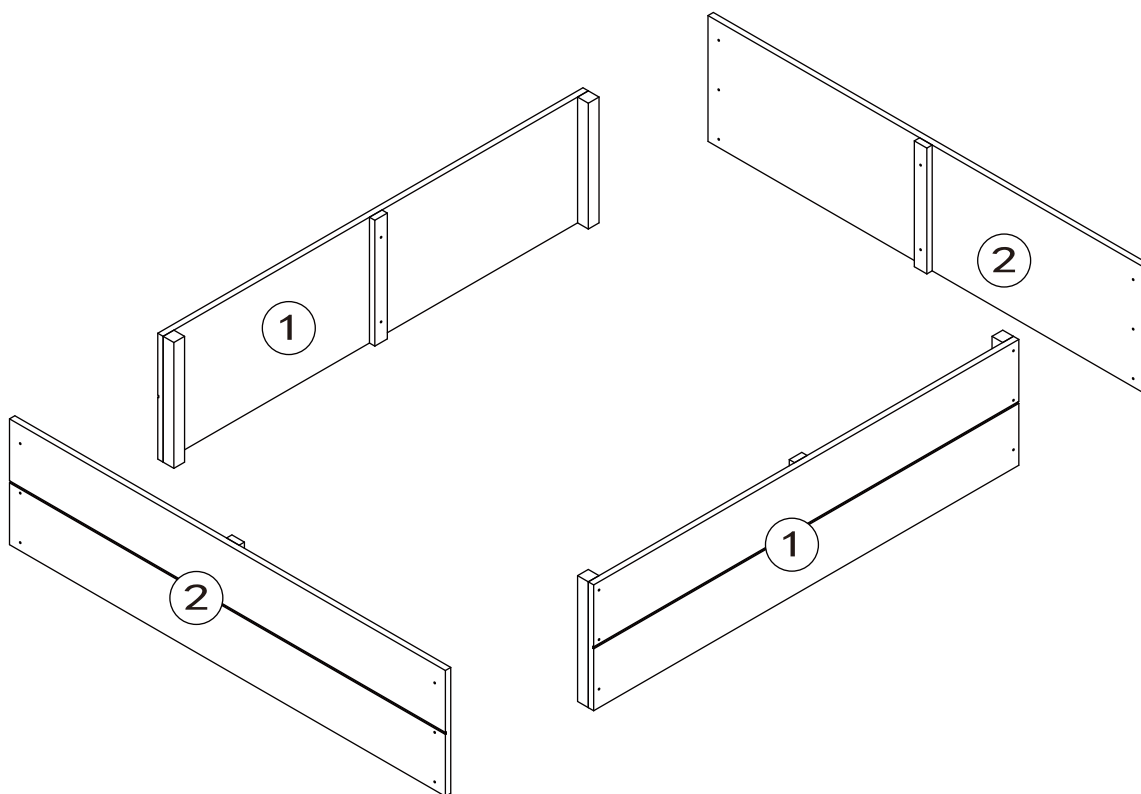
+2(spare)




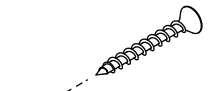
C x 1

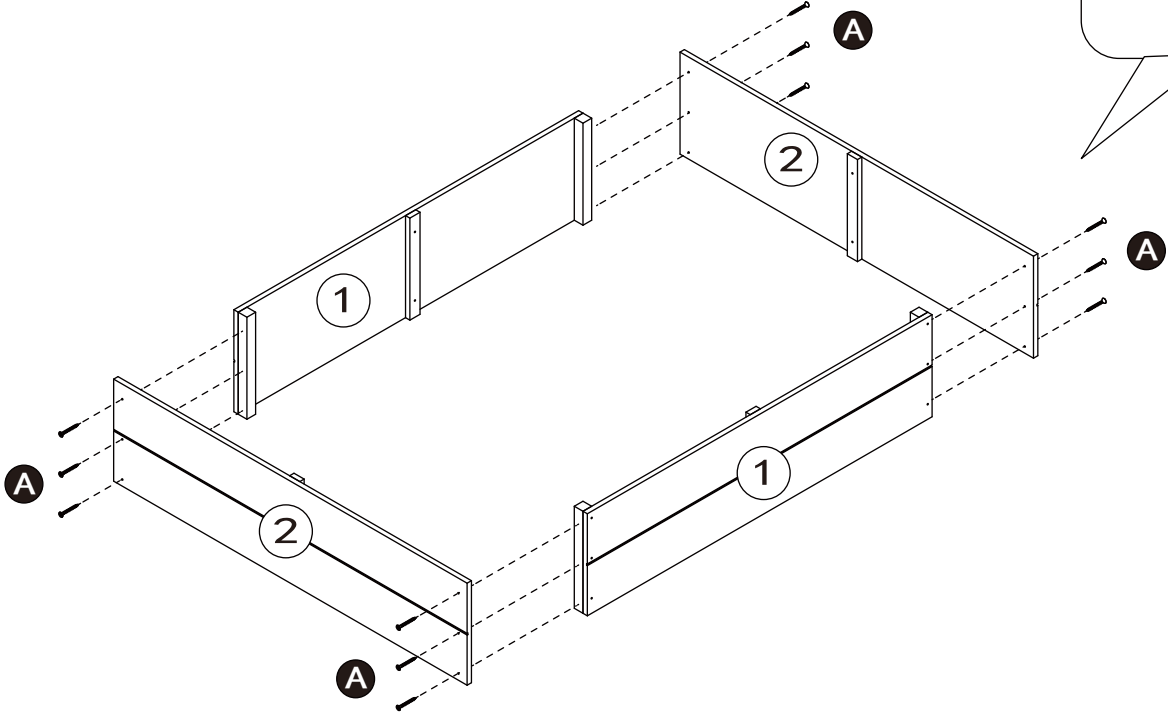


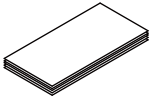
PARTS




M3.5 × 30
A × 12


C




C × 1

