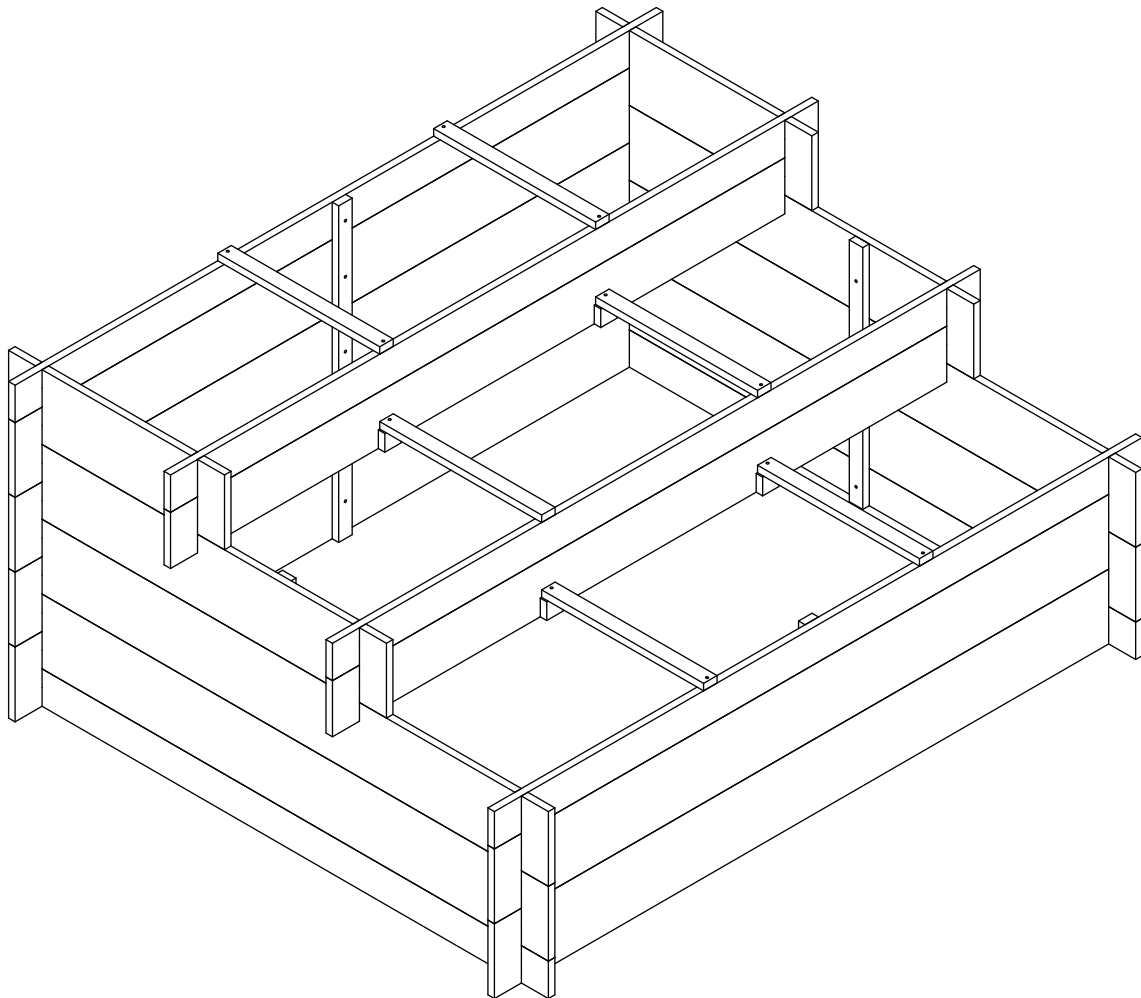




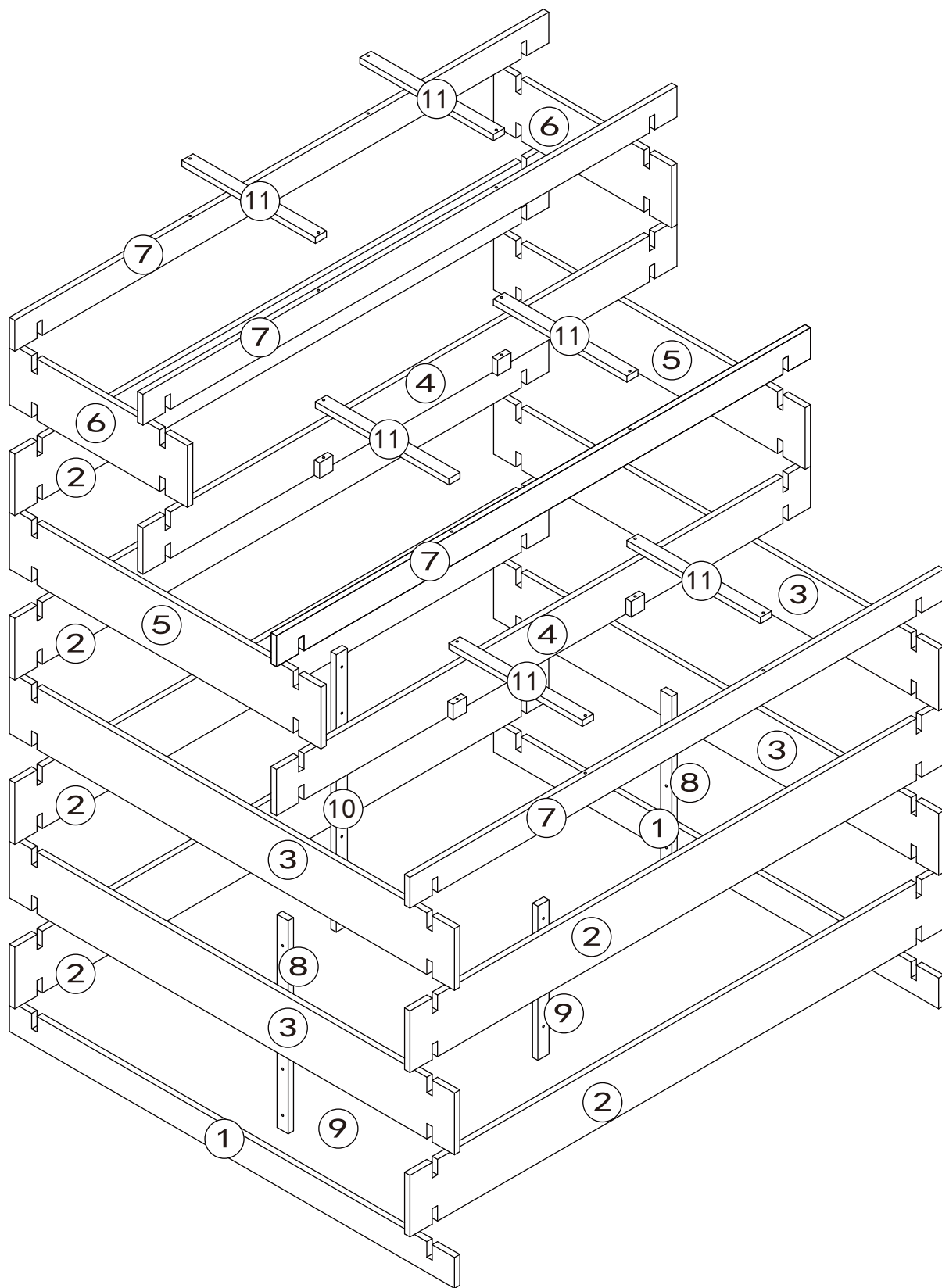
INbmb094_GL

845-581

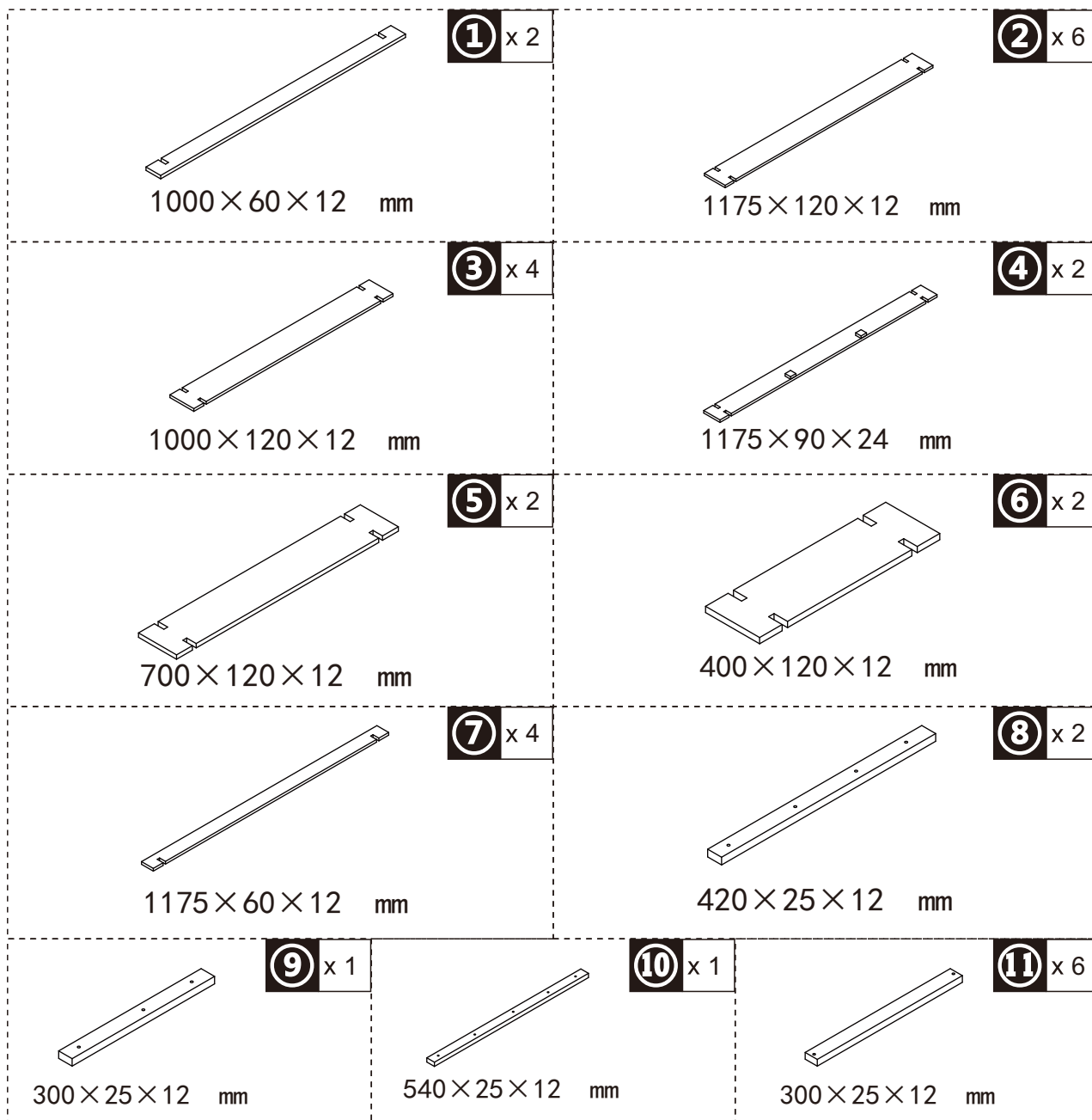


IMPORTANT, RETAIN FOR FUTURE REFERENCE: READ CAREFULLY

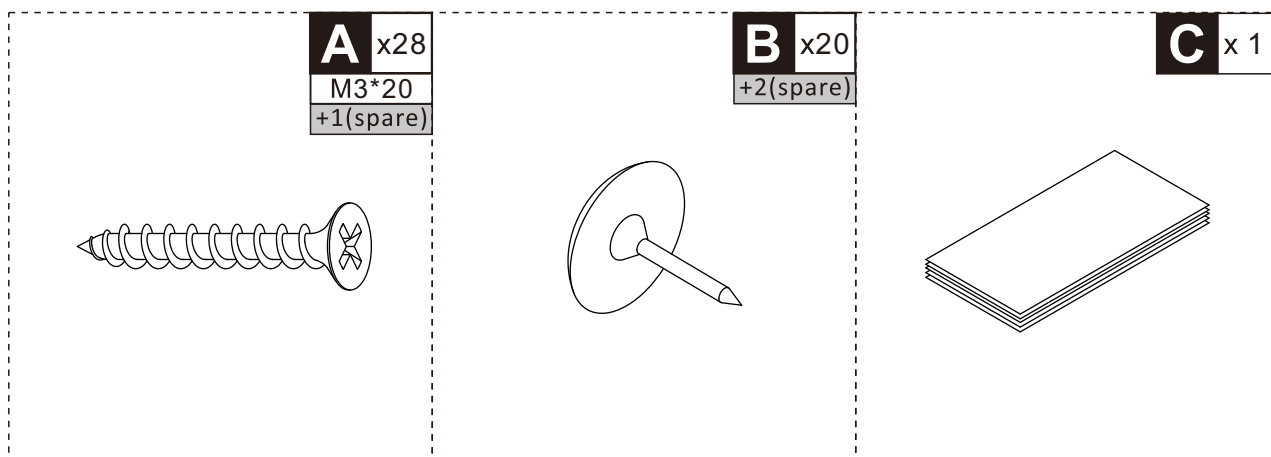
ASSEMBLY & INSTRUCTION MANUAL



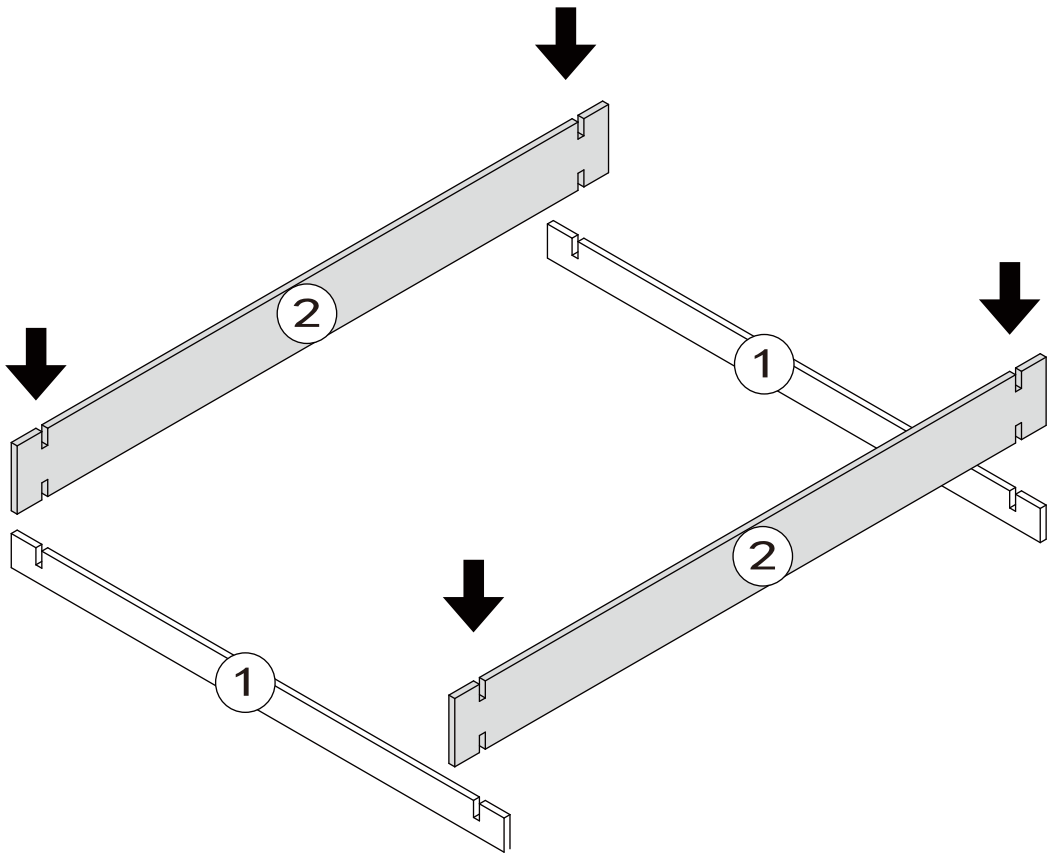
PARTS



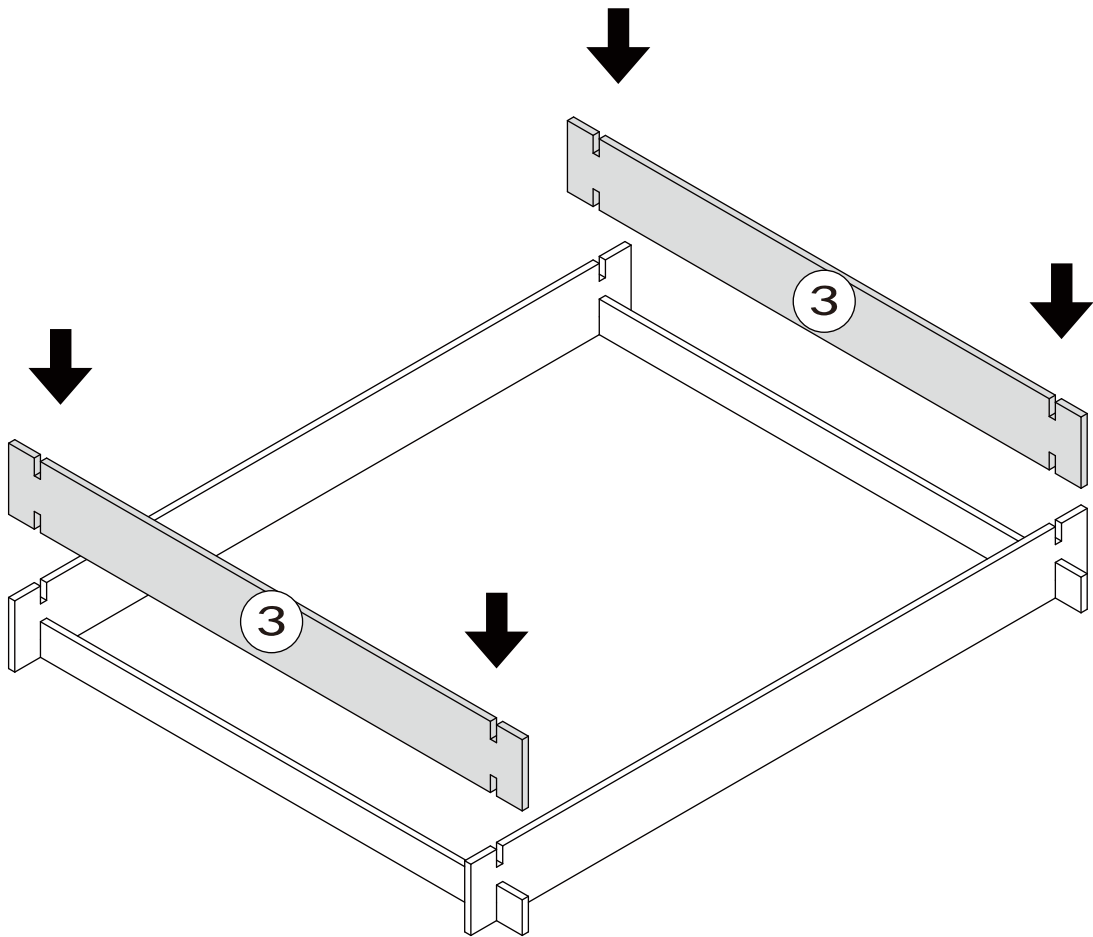
HARDWARE

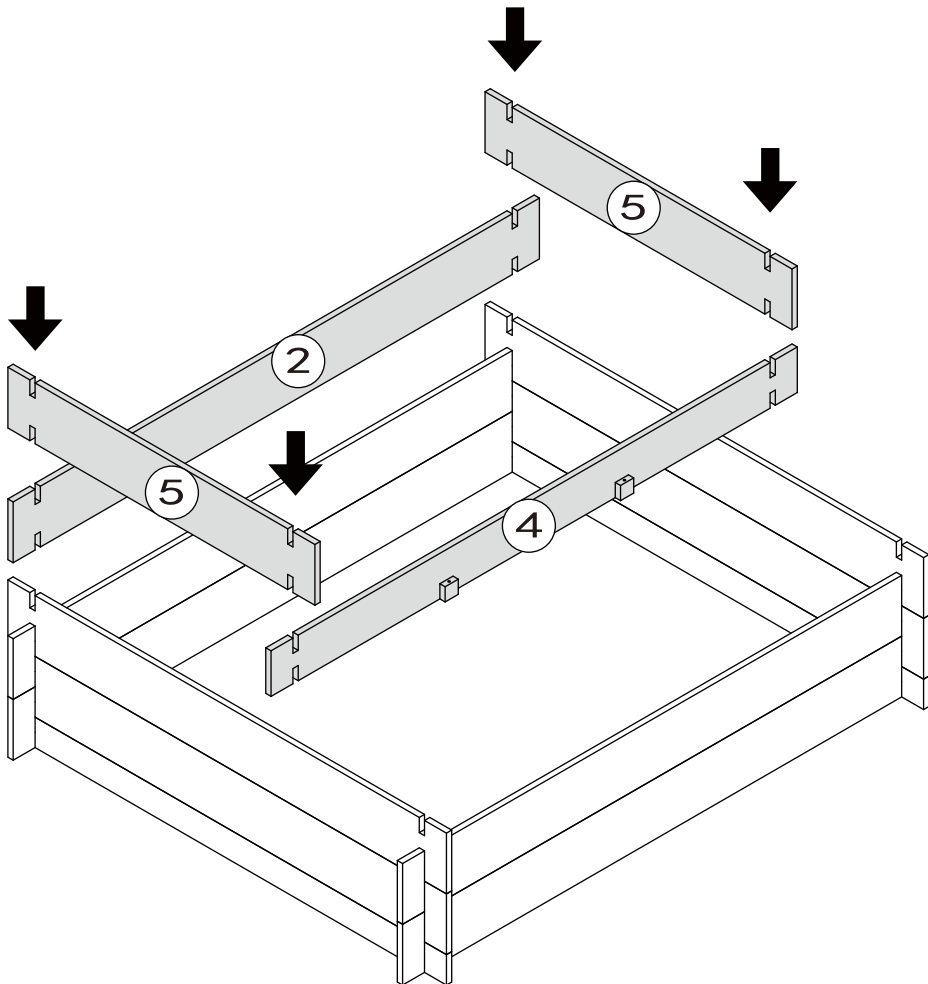
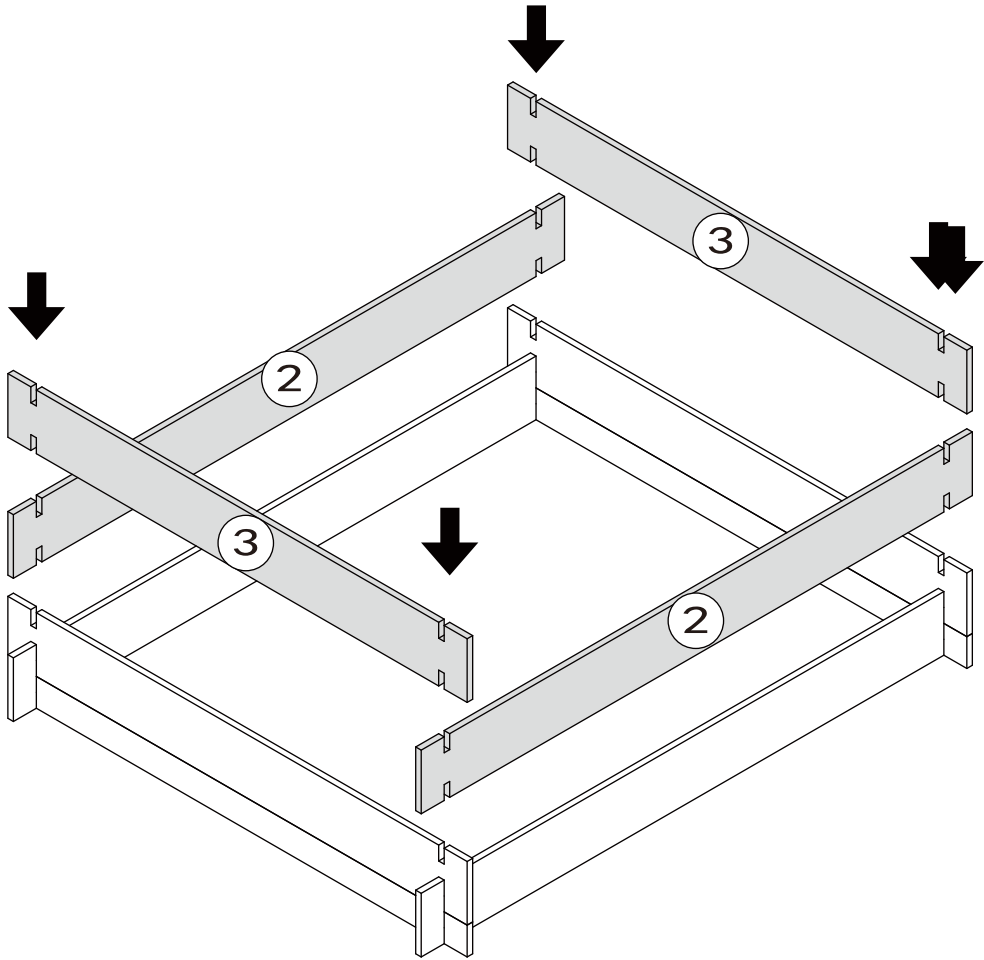


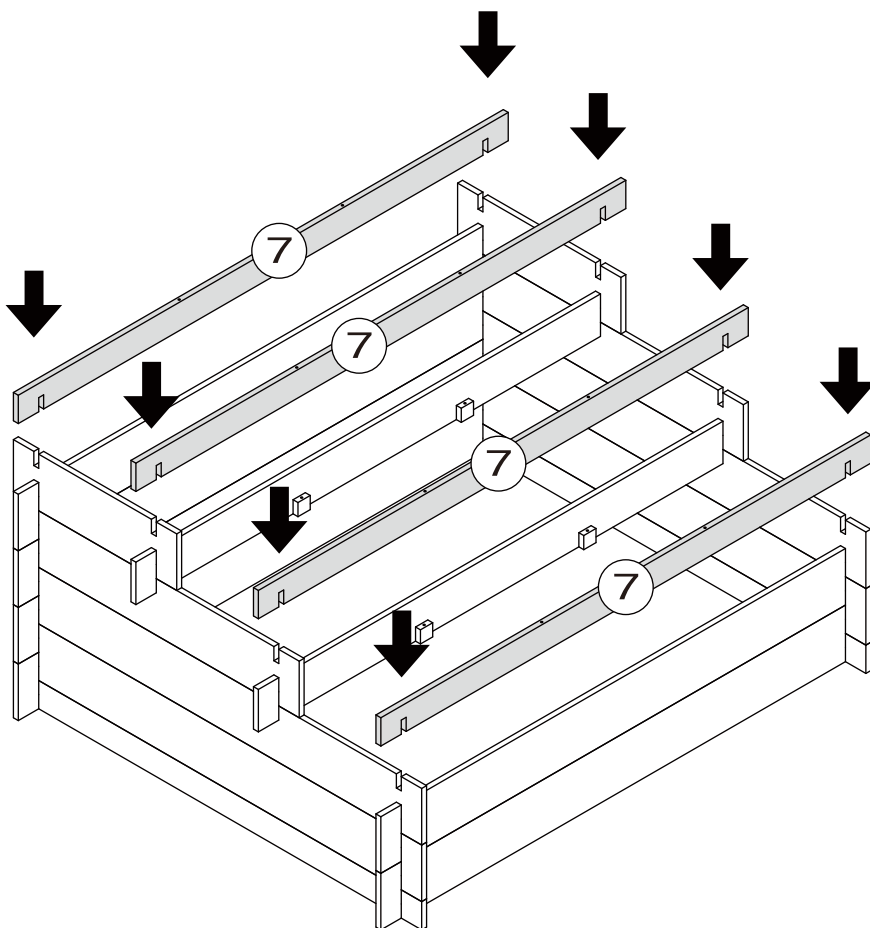
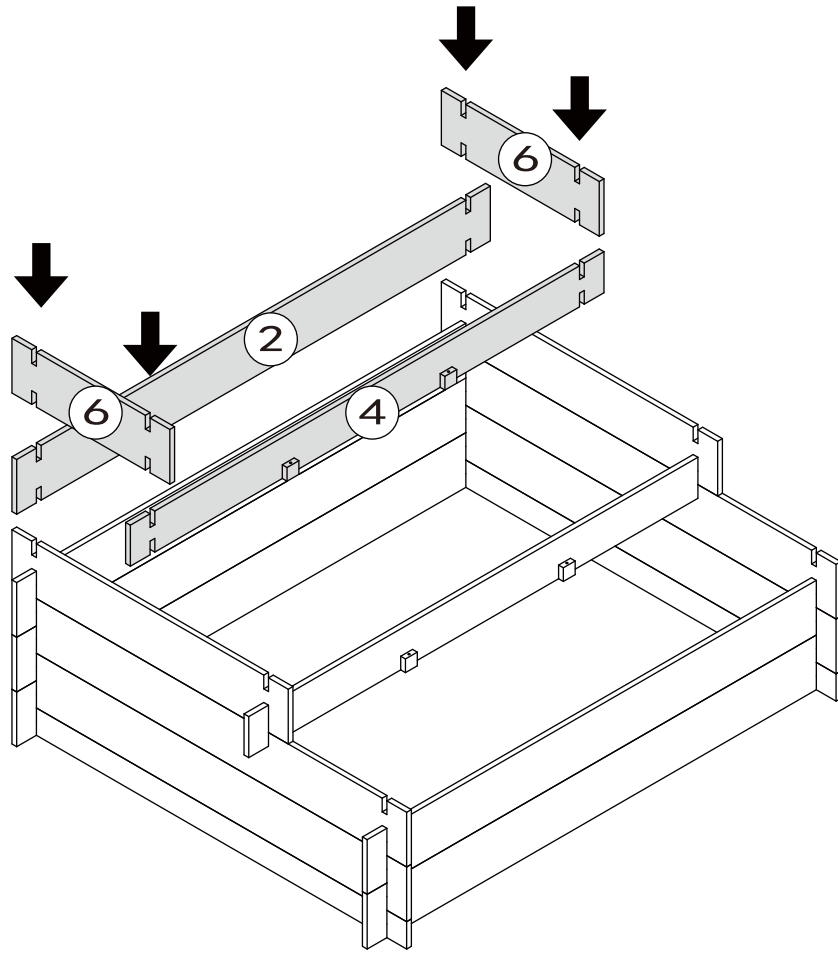
01



02



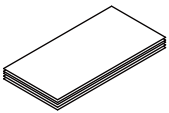
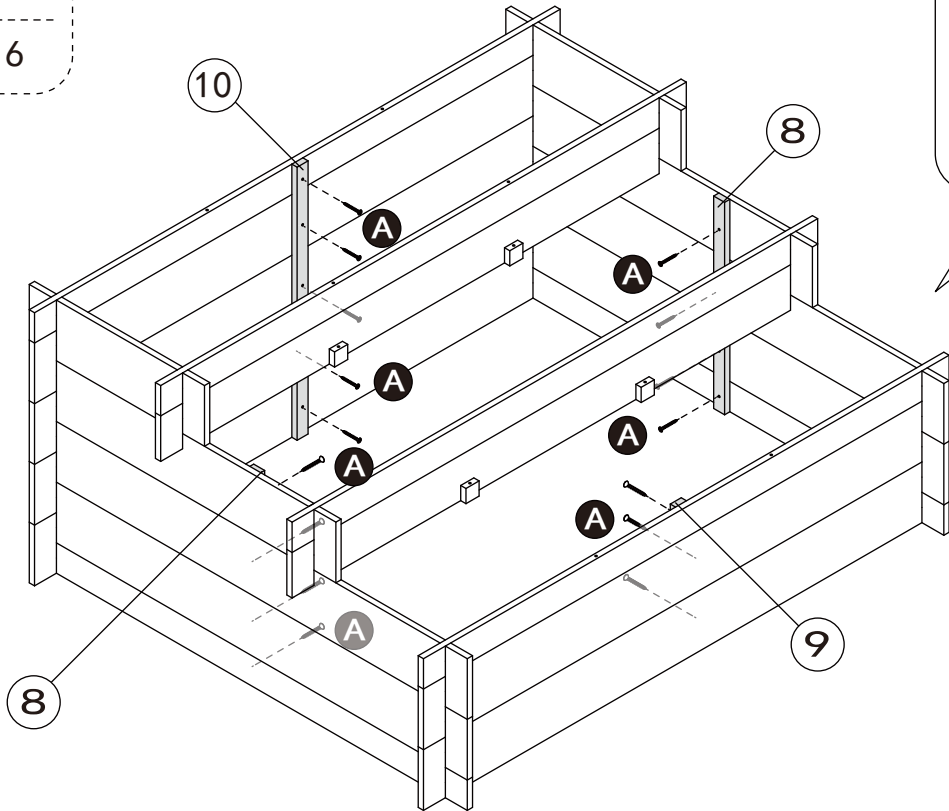




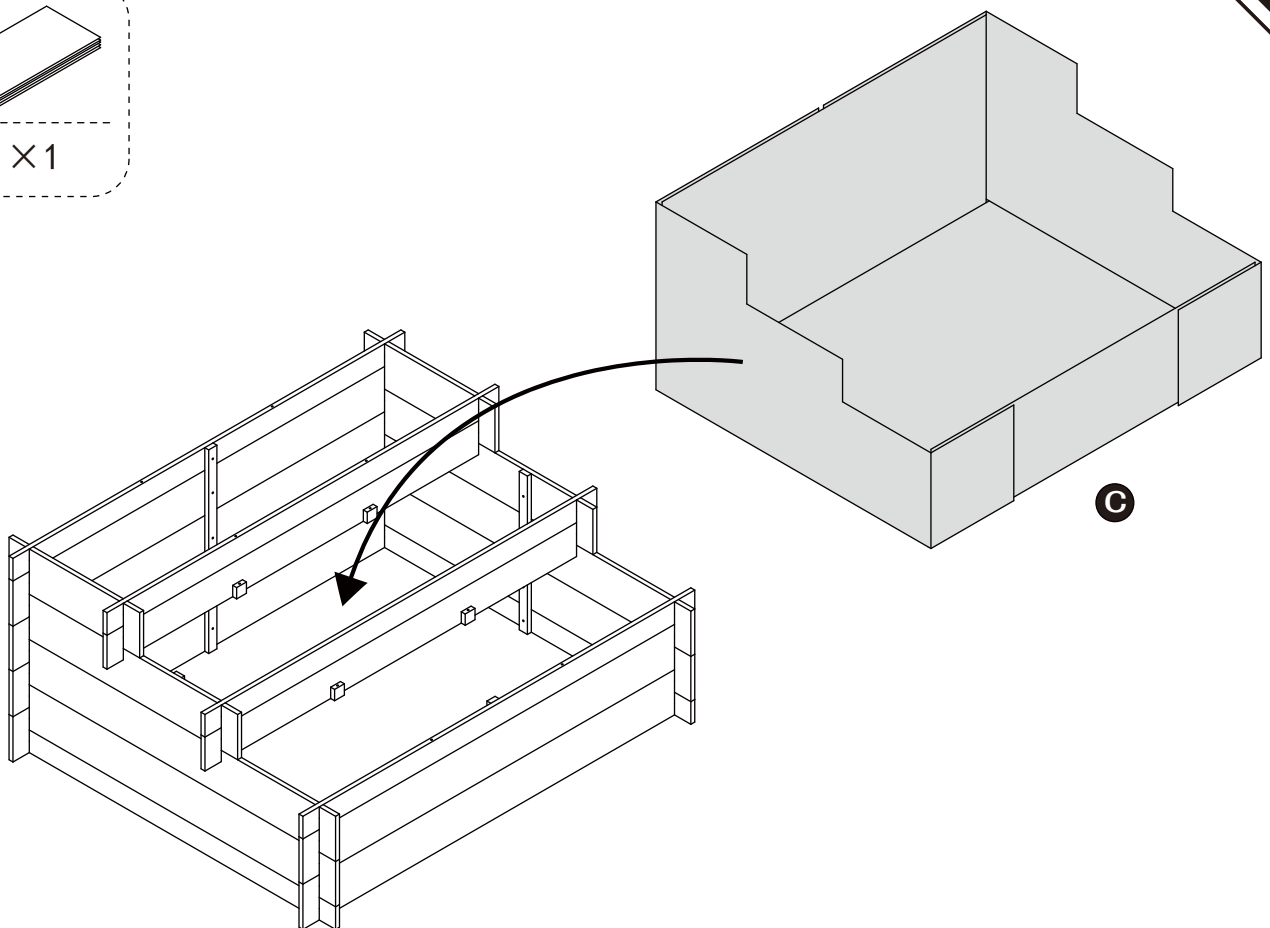


M3×20

A × 16

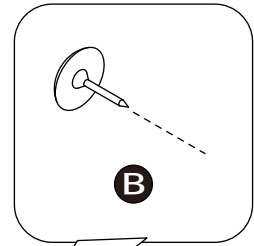
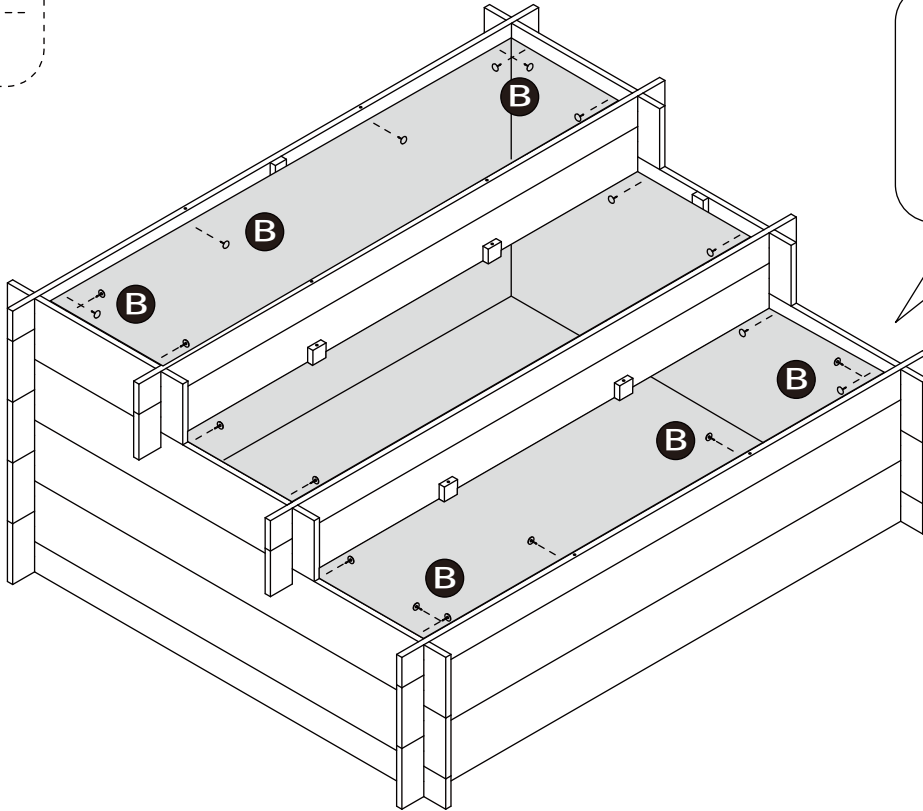


C × 1





B × 20

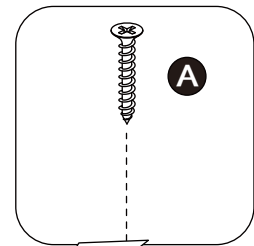
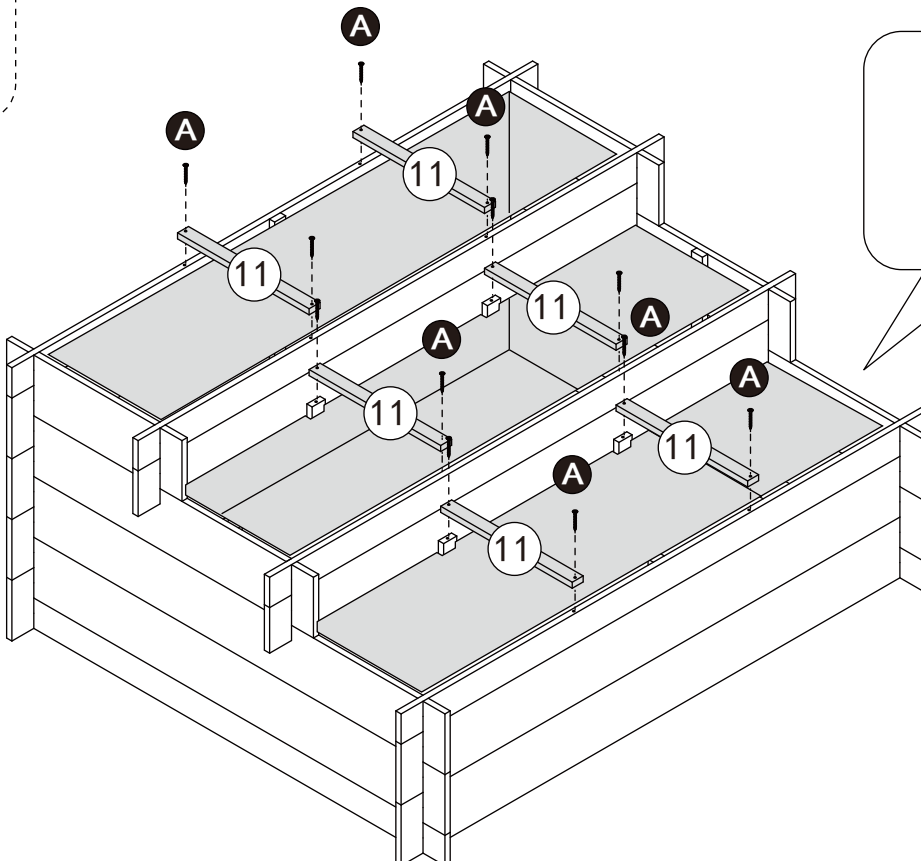


B



M3 × 20

A × 12



A