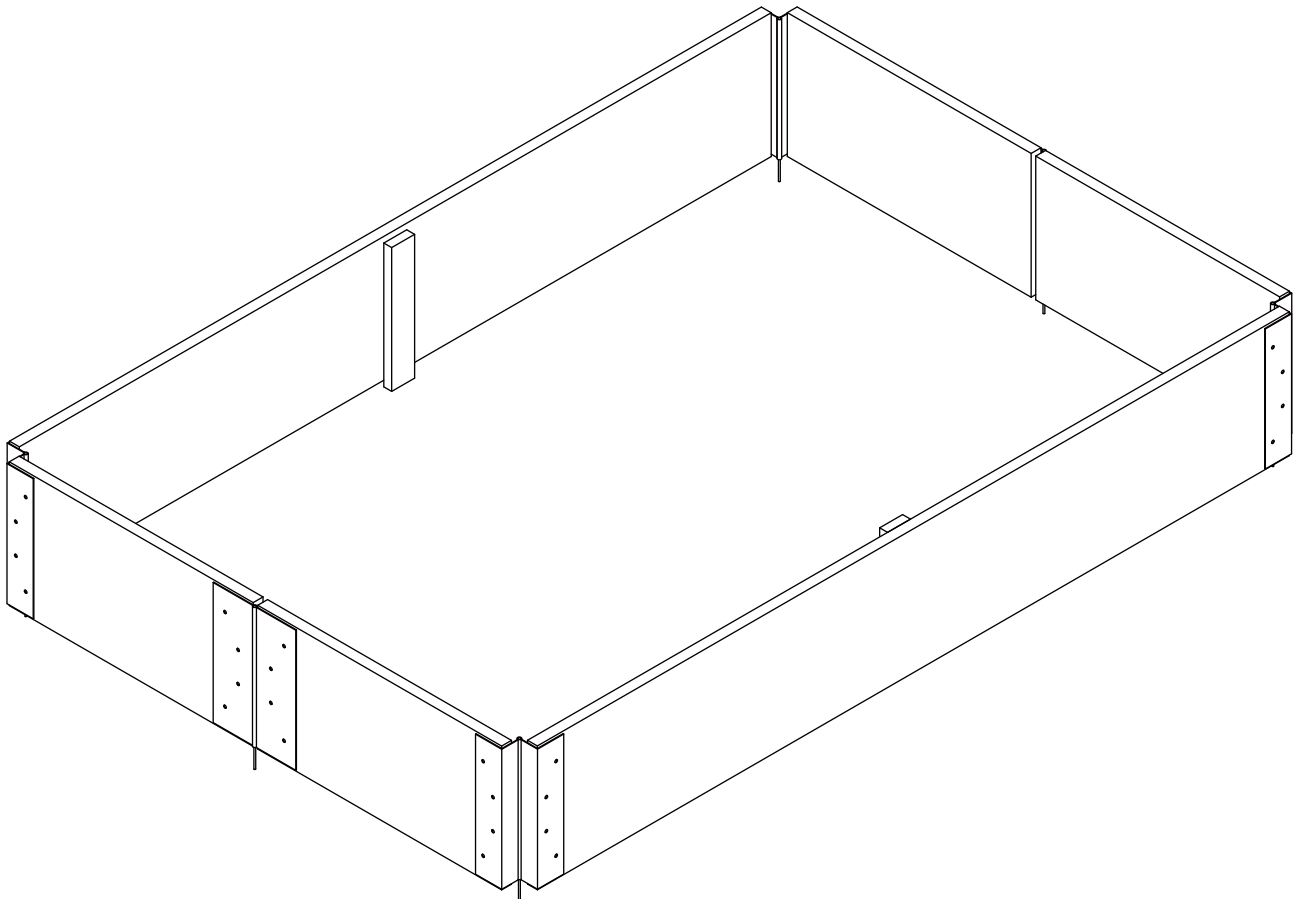




INbmb095\_GL

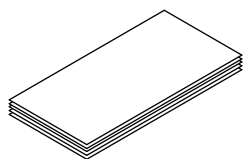
**845-582**



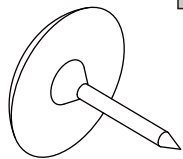
**IMPORTANT, RETAIN FOR FUTURE REFERENCE: READ CAREFULLY**

**ASSEMBLY & INSTRUCTION MANUAL**

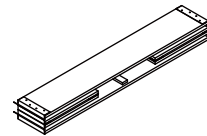
**A** x 1



**B** x20  
+2(spare)

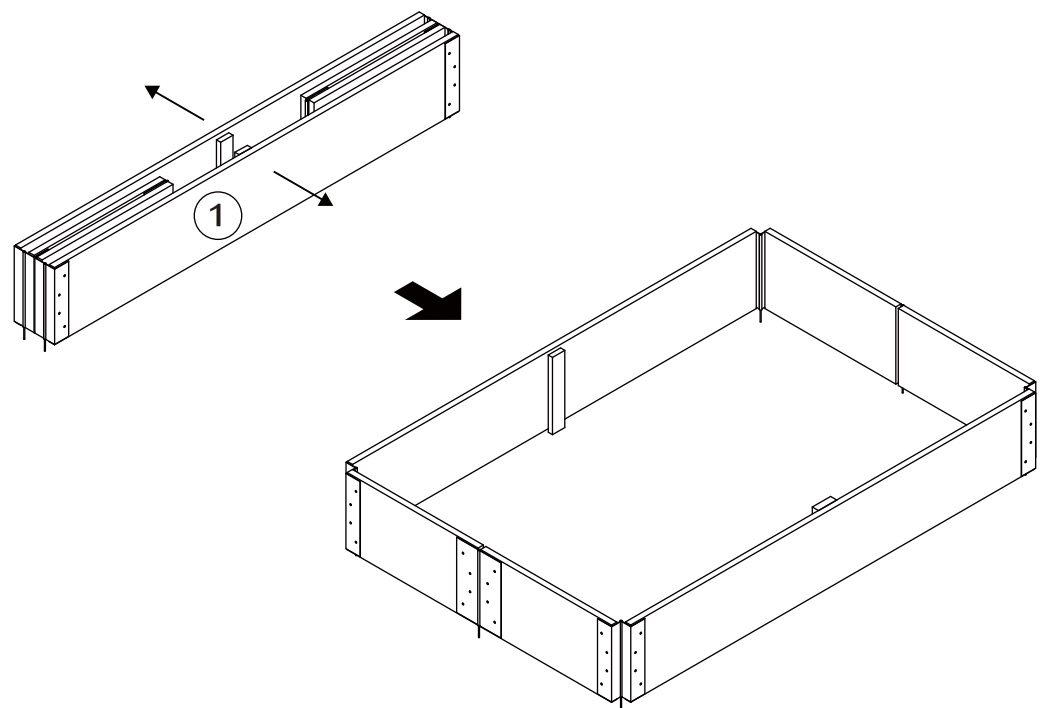


**1** x 1



1200 × 210 × 100 mm

01



x2

02

