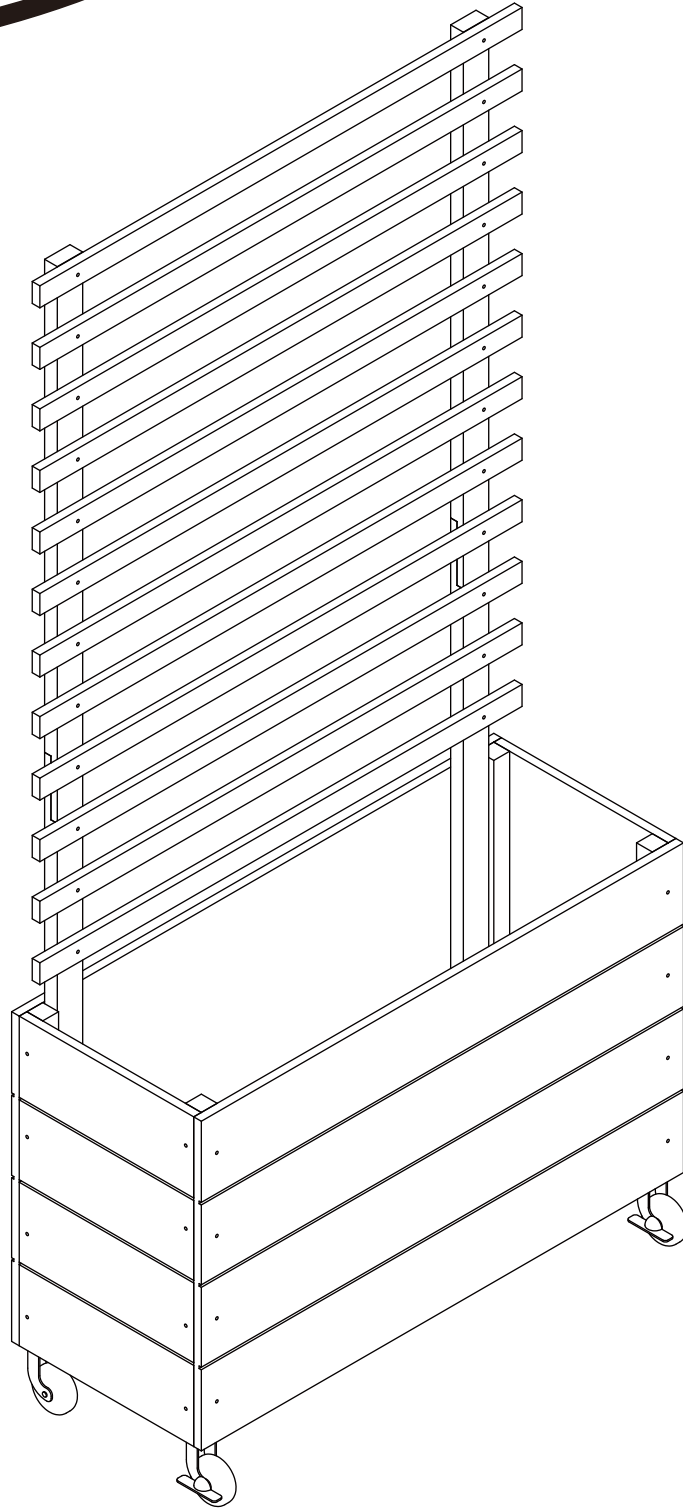




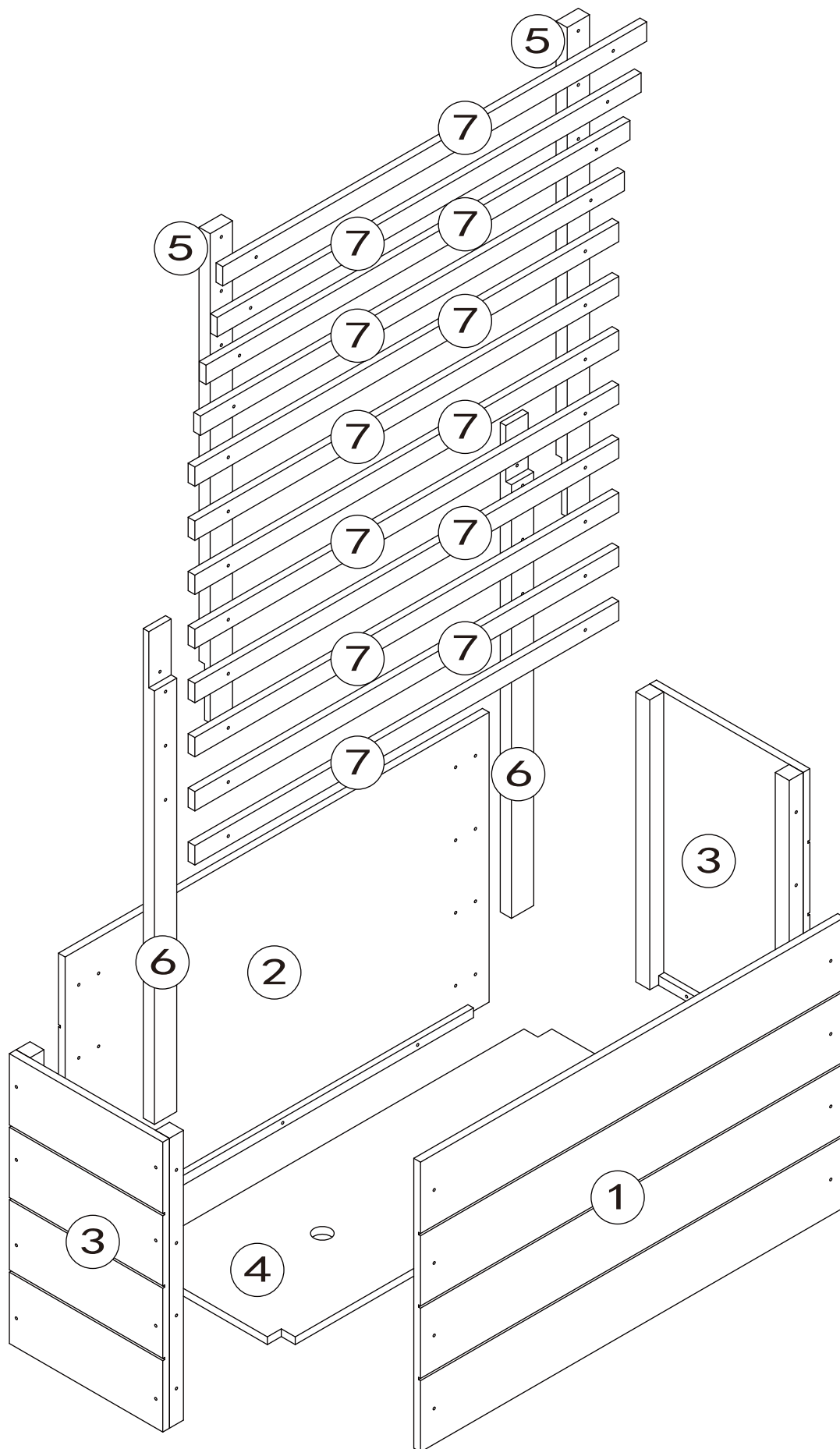
INbmb097_GL

845-584



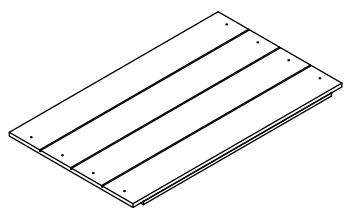
IMPORTANT, RETAIN FOR FUTURE REFERENCE: READ CAREFULLY

ASSEMBLY & INSTRUCTION MANUAL



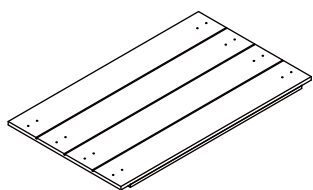
PARTS

1 x 1



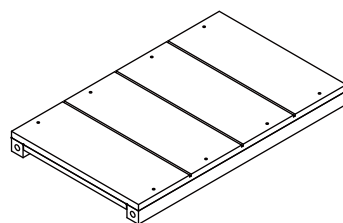
760 × 450 × 22 mm

2 x 1



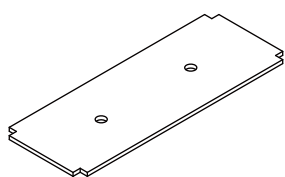
760 × 450 × 22 mm

3 x 2



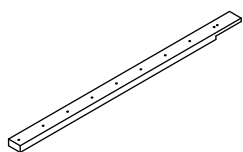
275 × 450 × 37 mm

4 x 1



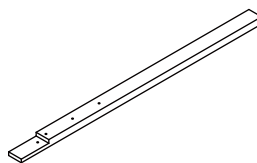
733 × 273 × 12 mm

5 x 2



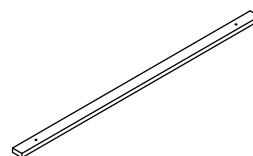
760 × 40 × 20 mm

6 x 2



760 × 40 × 20 mm

7 x 12



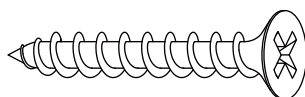
760 × 30 × 12 mm

HARDWARE

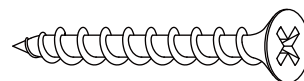
A x24
M3*25
+1(spare)



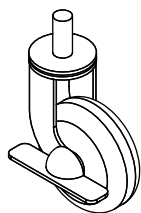
B x 4
M3.5*20
+1(spare)



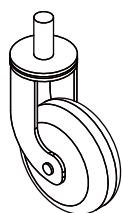
C x24
M3.5*30
+1(spare)



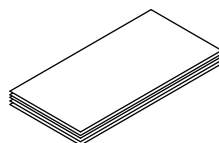
D x 2



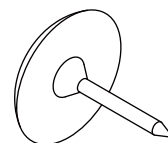
E x 2



F x 1



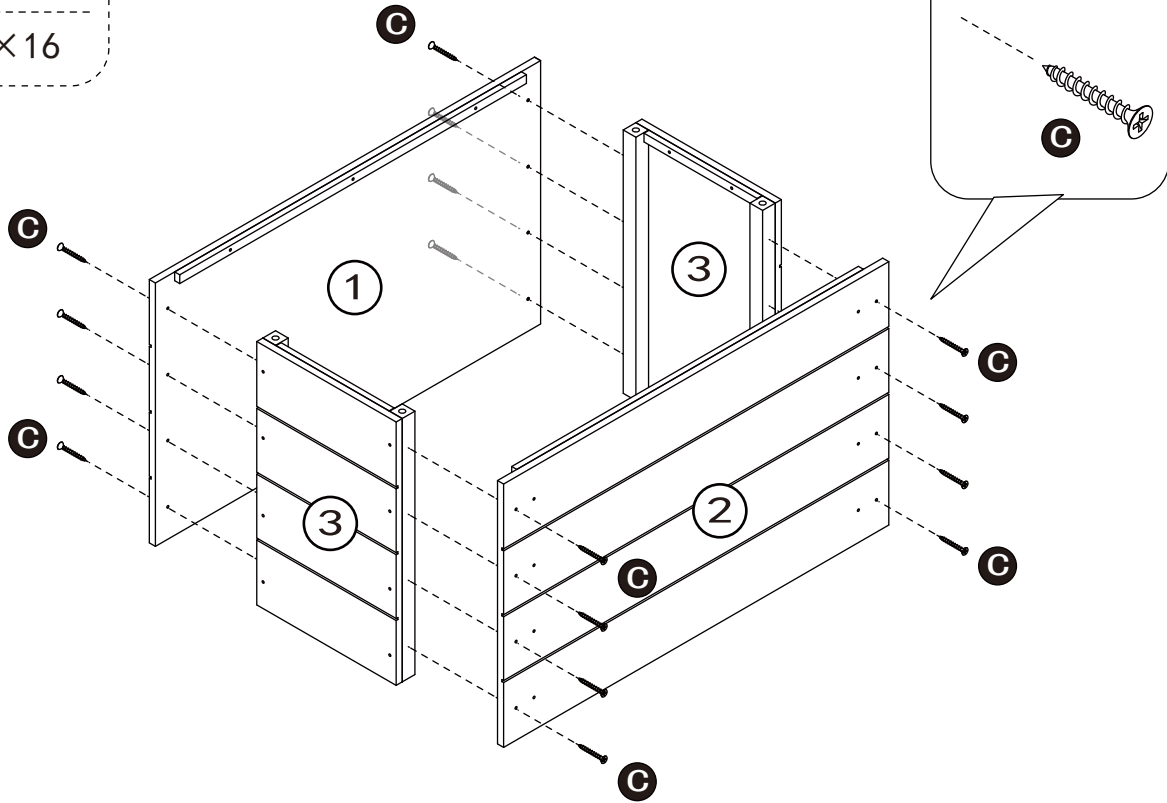
G x12
+2(spare)





M3.5 × 30

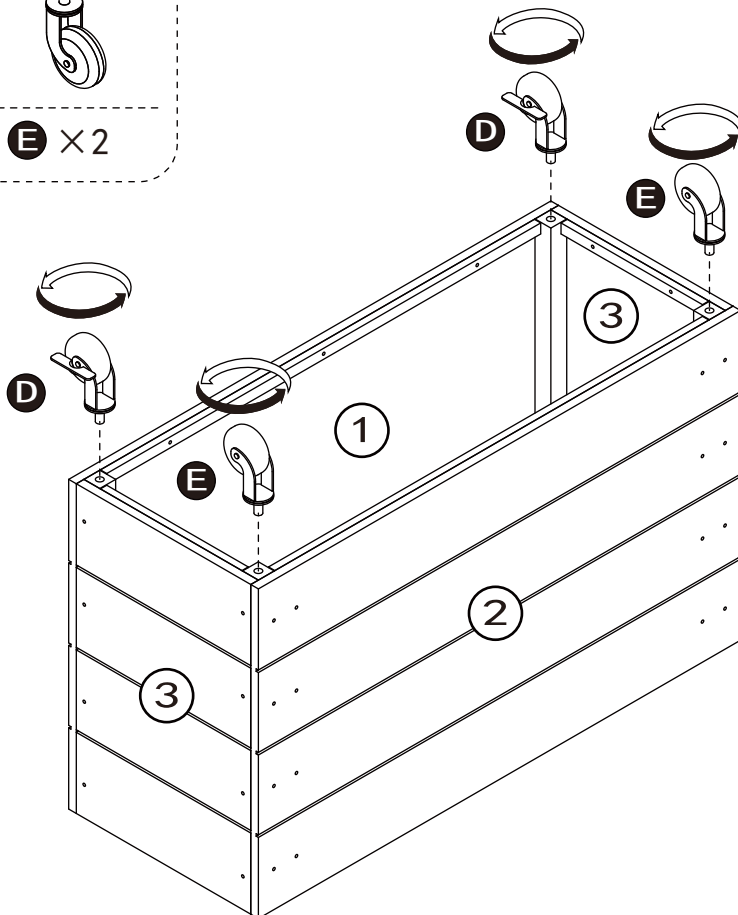
C × 16

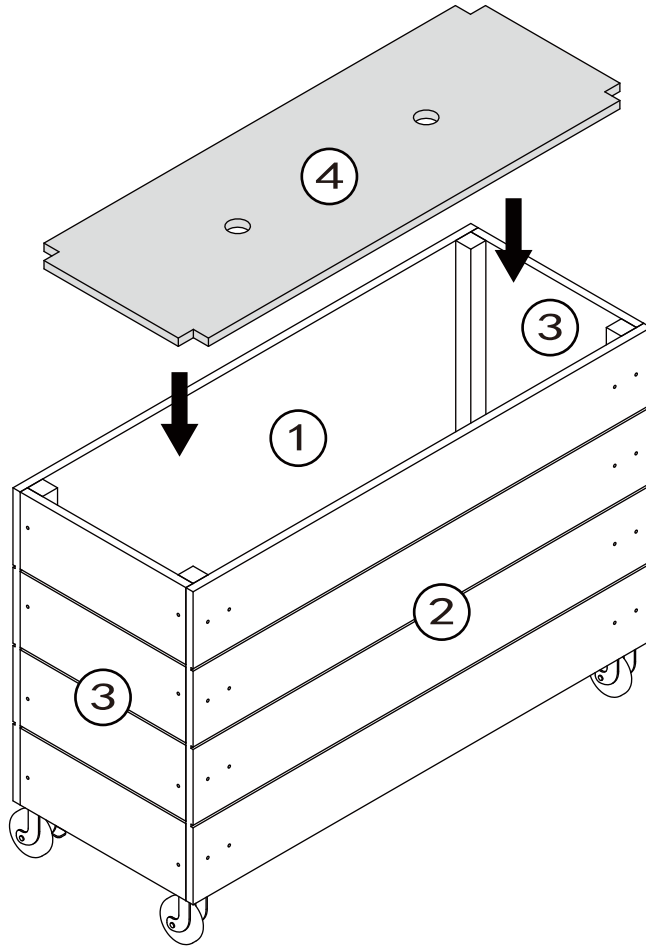


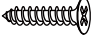
D × 2

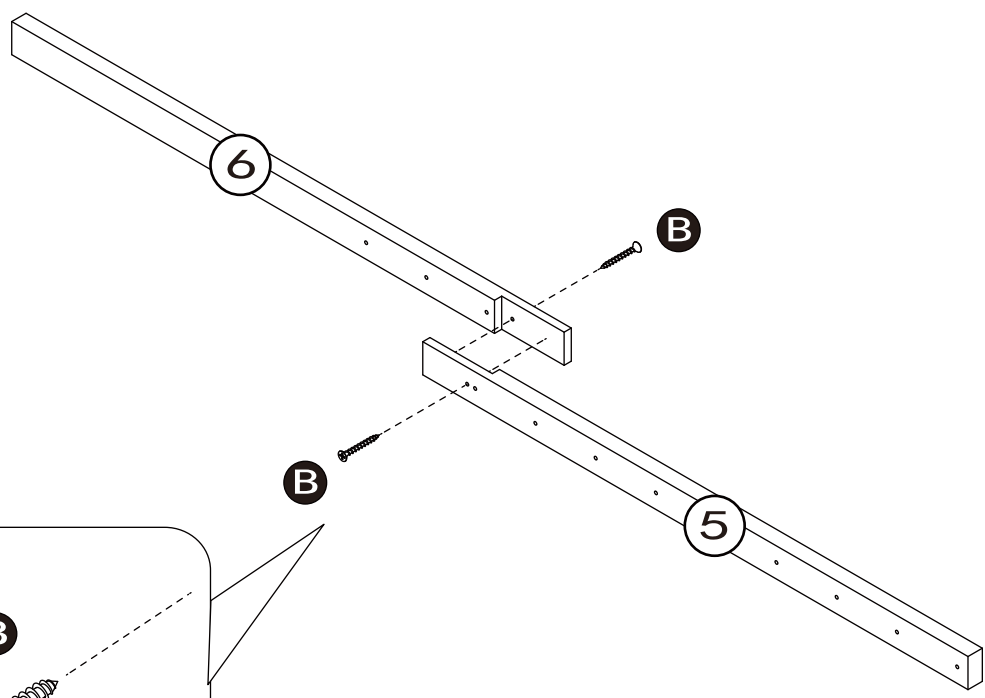


E × 2






M3.5 × 20
B × 4

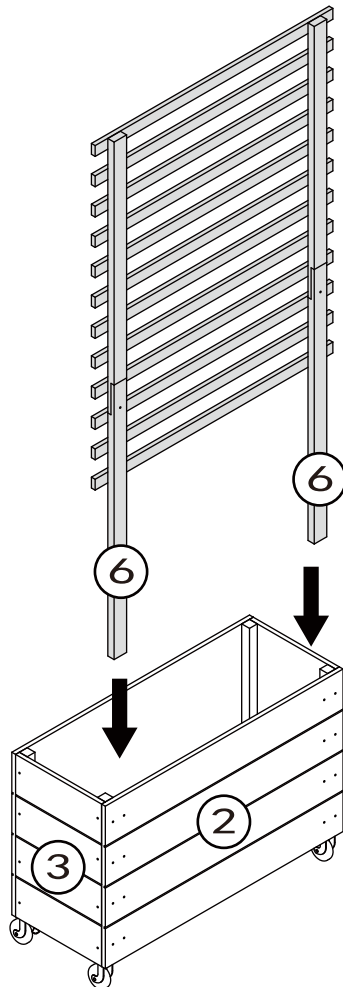
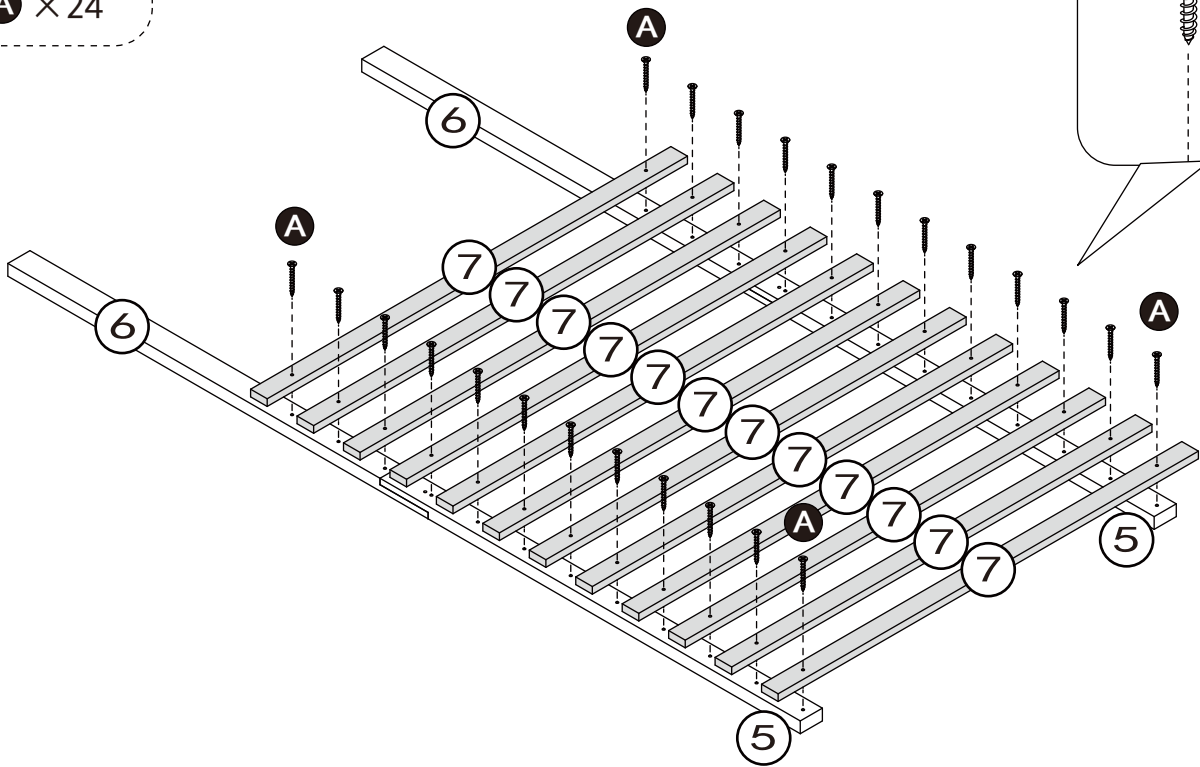


x2



M3 × 25

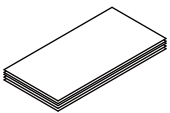
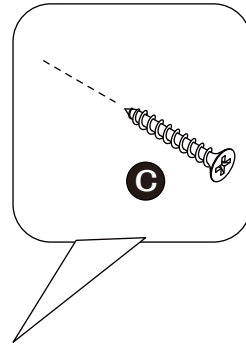
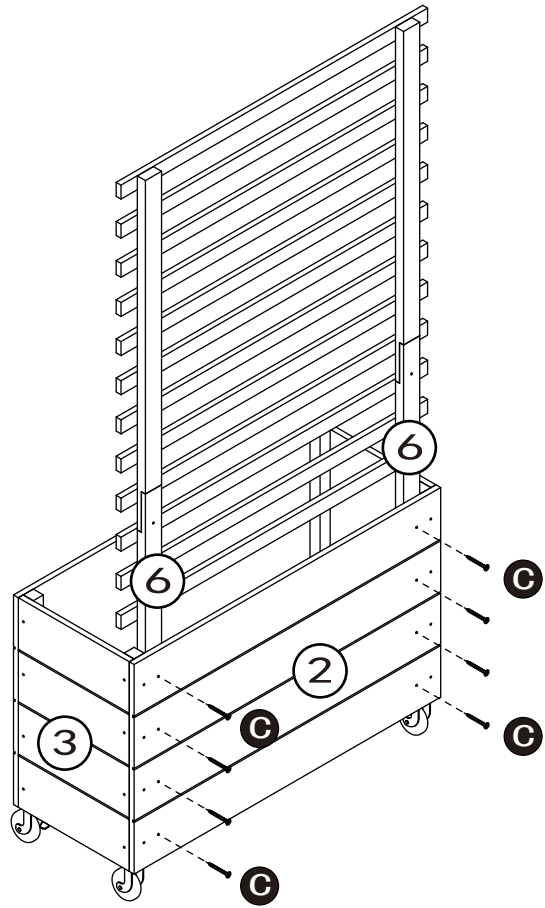
A × 24





M3.5 × 30

C × 8



F × 1

