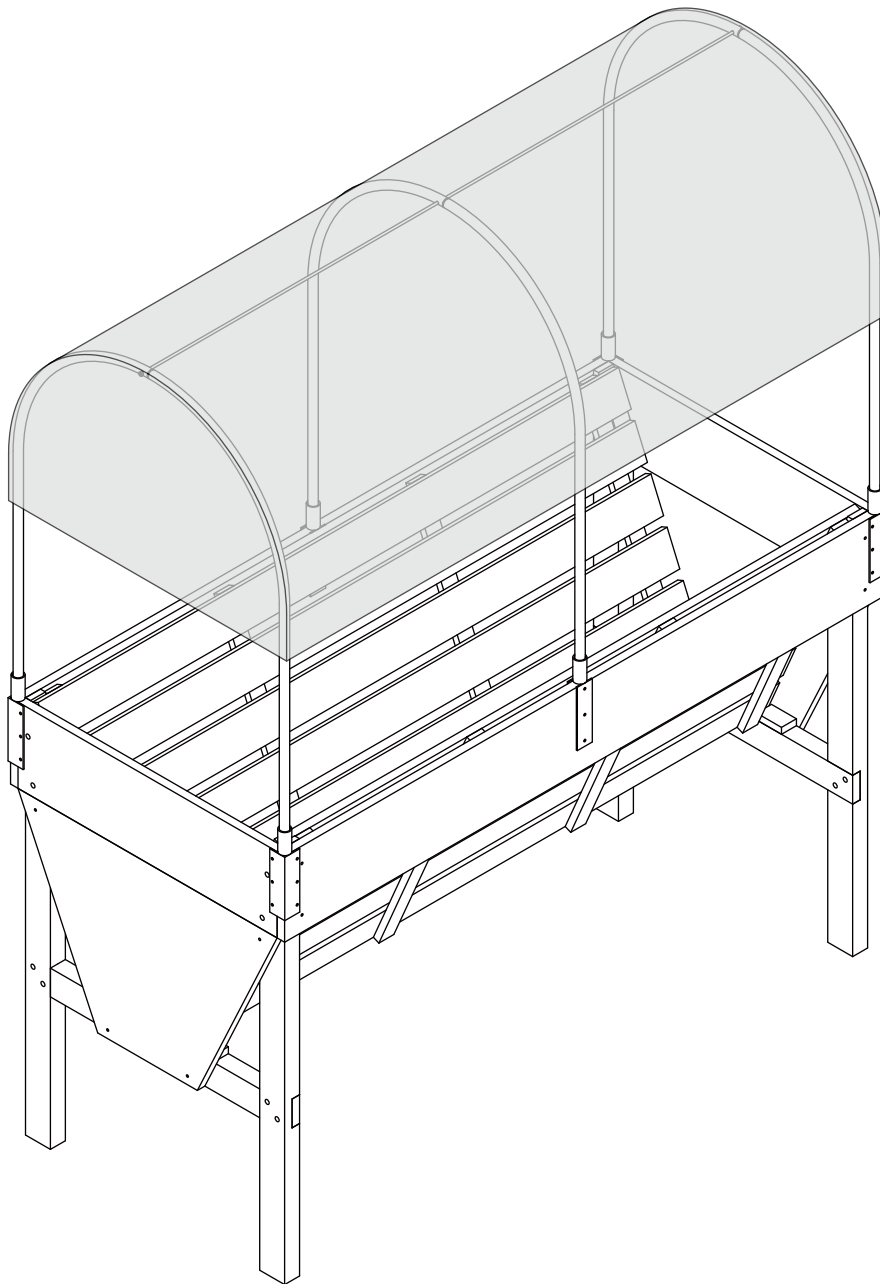




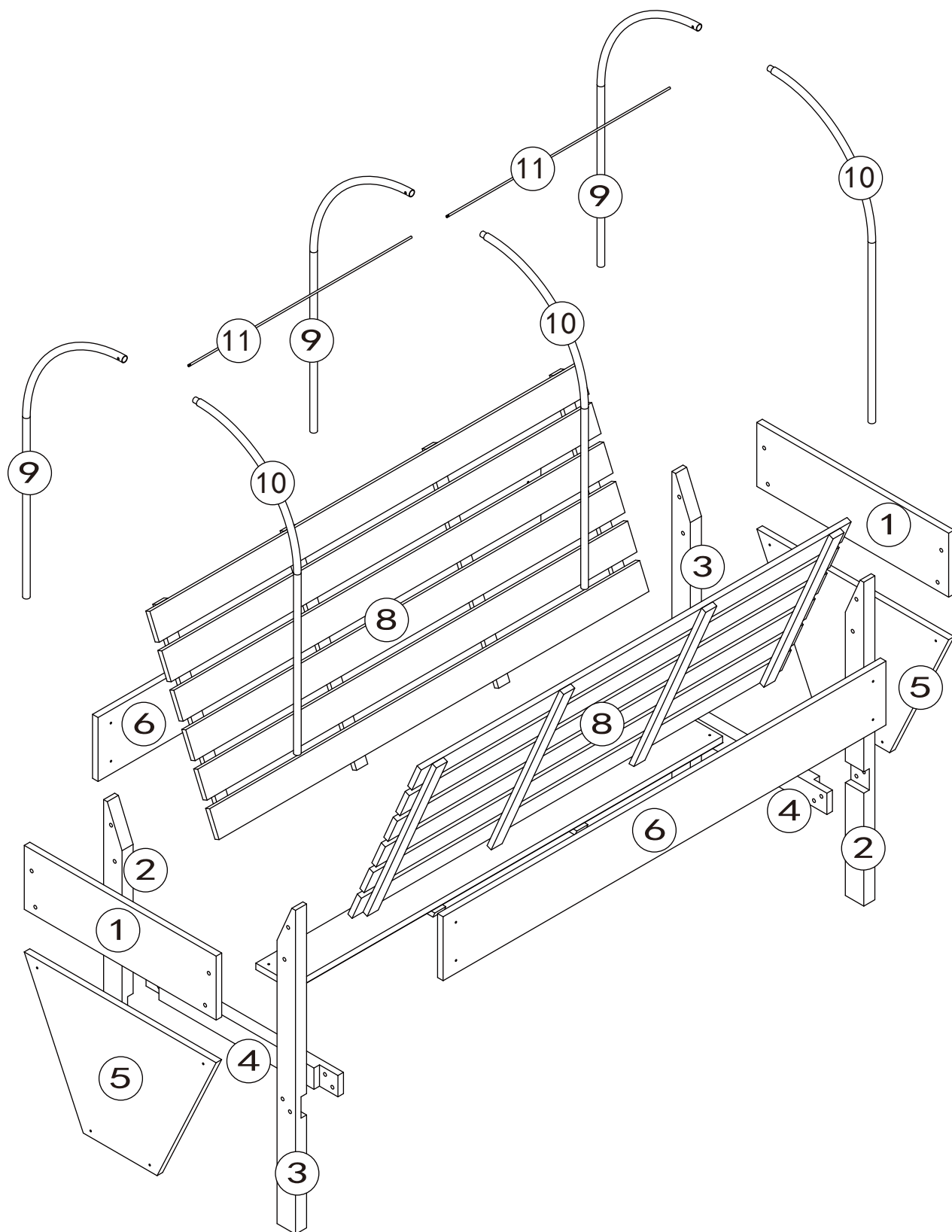
INbmb101_GL

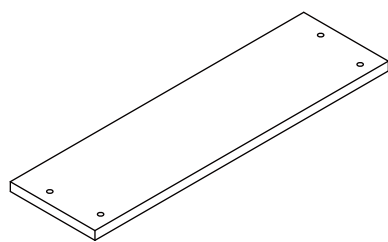
845-589



IMPORTANT, RETAIN FOR FUTURE REFERENCE: READ CAREFULLY

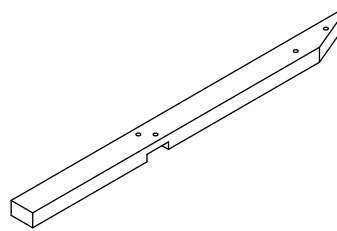
ASSEMBLY & INSTRUCTION MANUAL





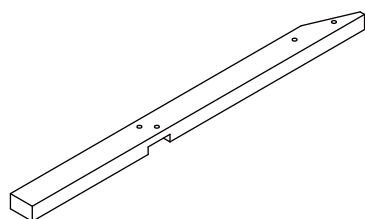
523 × 150 × 15 mm

① x 2



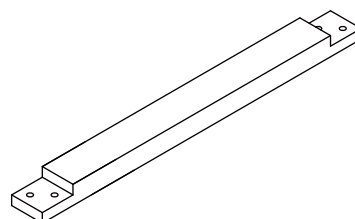
760 × 50 × 30 mm

② x 2



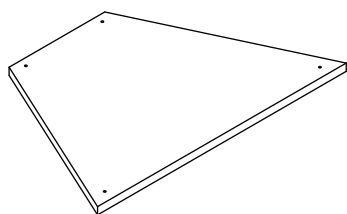
760 × 50 × 30 mm

③ x 2



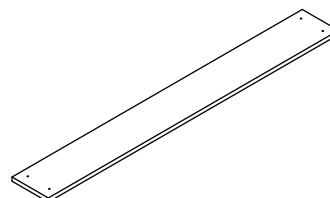
520 × 62 × 30 mm

④ x 2



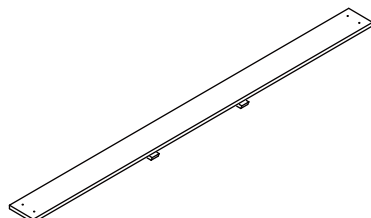
510 × 345 × 15 mm

⑤ x 2



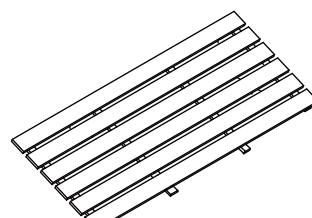
1202 × 150 × 15 mm

⑥ x 2



1170 × 120 × 35 mm

⑦ x 1



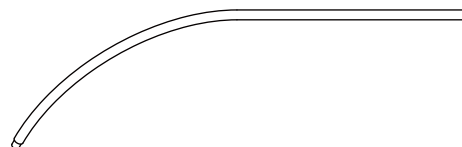
1165 × 513 × 24 mm

⑧ x 2



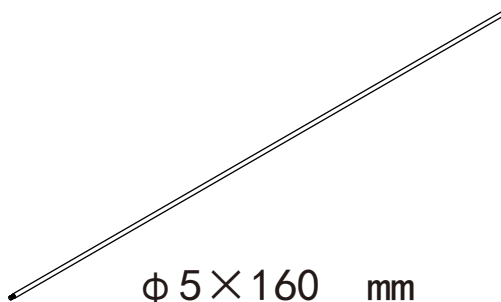
φ 15 × 440 × 270 mm

⑨ x 2



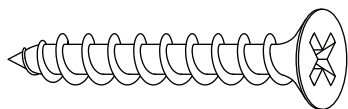
φ 15 × 440 × 280 mm

⑩ x 2

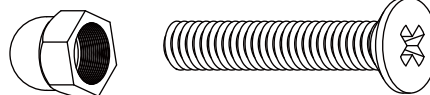


φ 5 × 160 mm

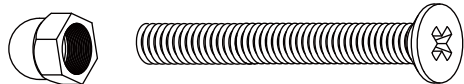
⑪ x 2



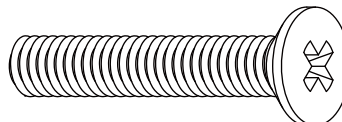
A x24
M3.5*30
+1(spare)



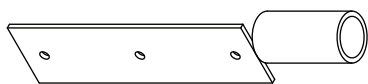
B x 8
M6*40
+1(spare)



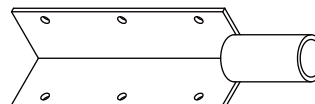
C x 4
M6*55
+1(spare)



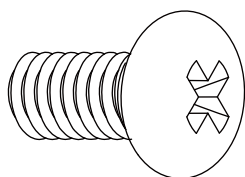
D x 4
M6*40
+1(spare)



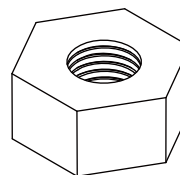
E x 2



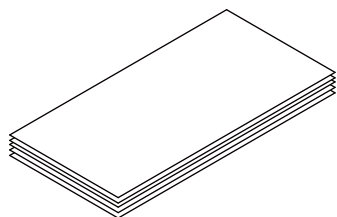
F x 4



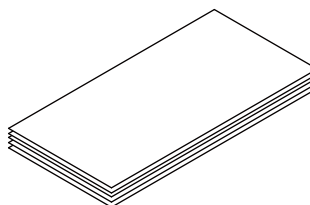
G x 7
M3*10
+1(spare)



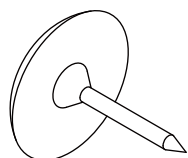
H x 1



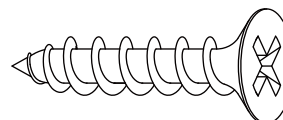
I x 1



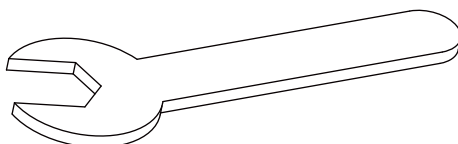
J x 1



K x16
+2(spare)



L x30
M3*10
+1(spare)



M x 1



M6 x 40

B x 8



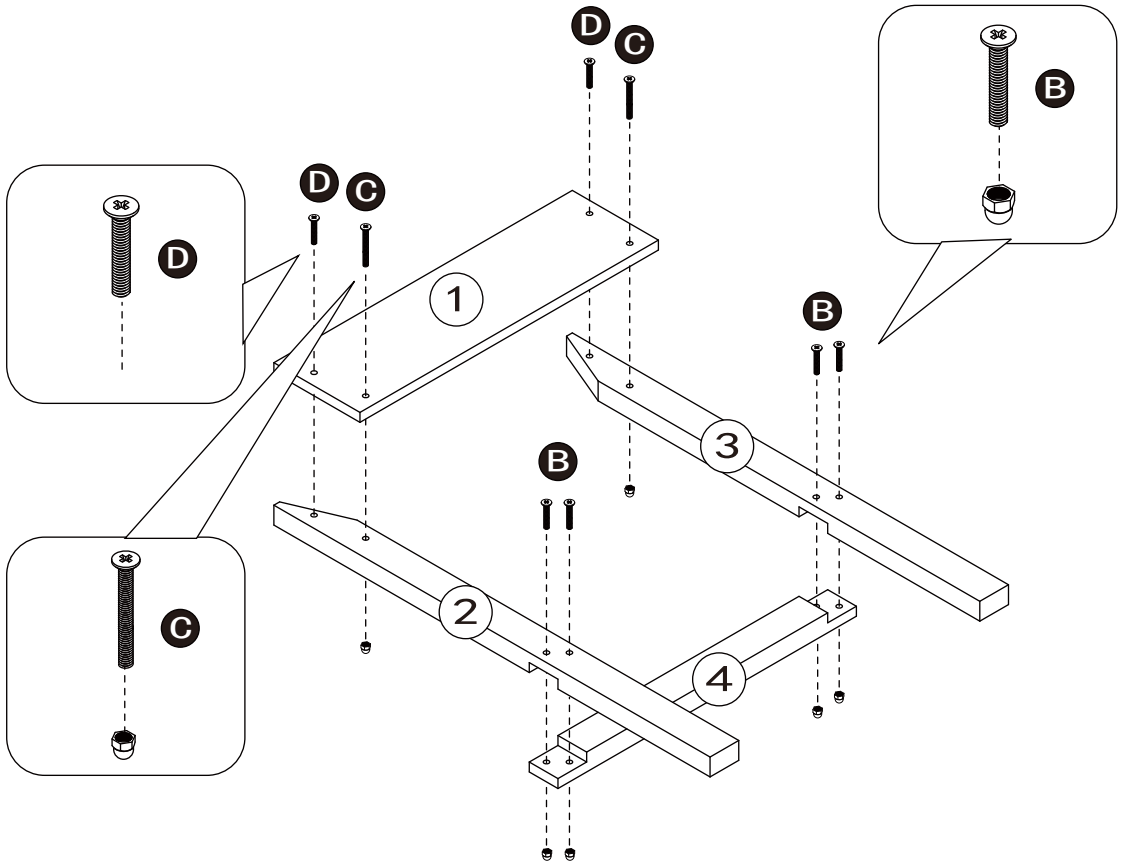
M6 x 55

C x 4



M6 x 40

D x 4

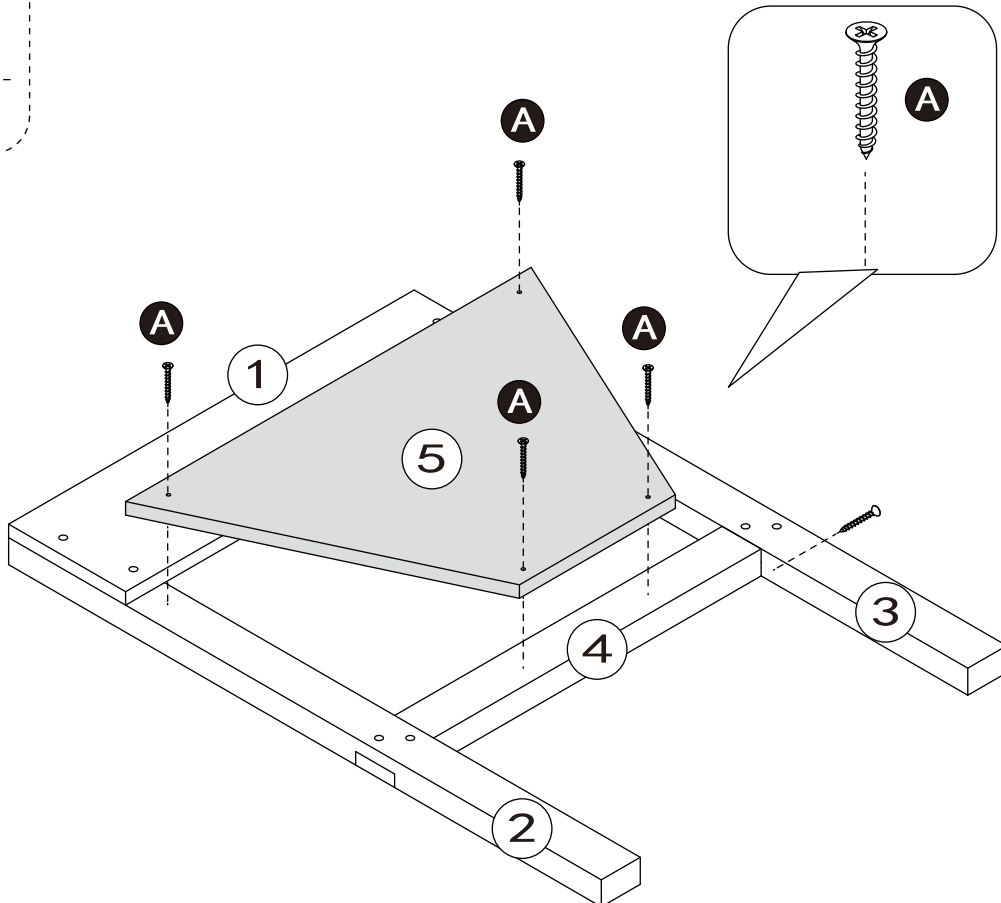


x2



M3.5 x 30

A x 8

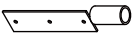
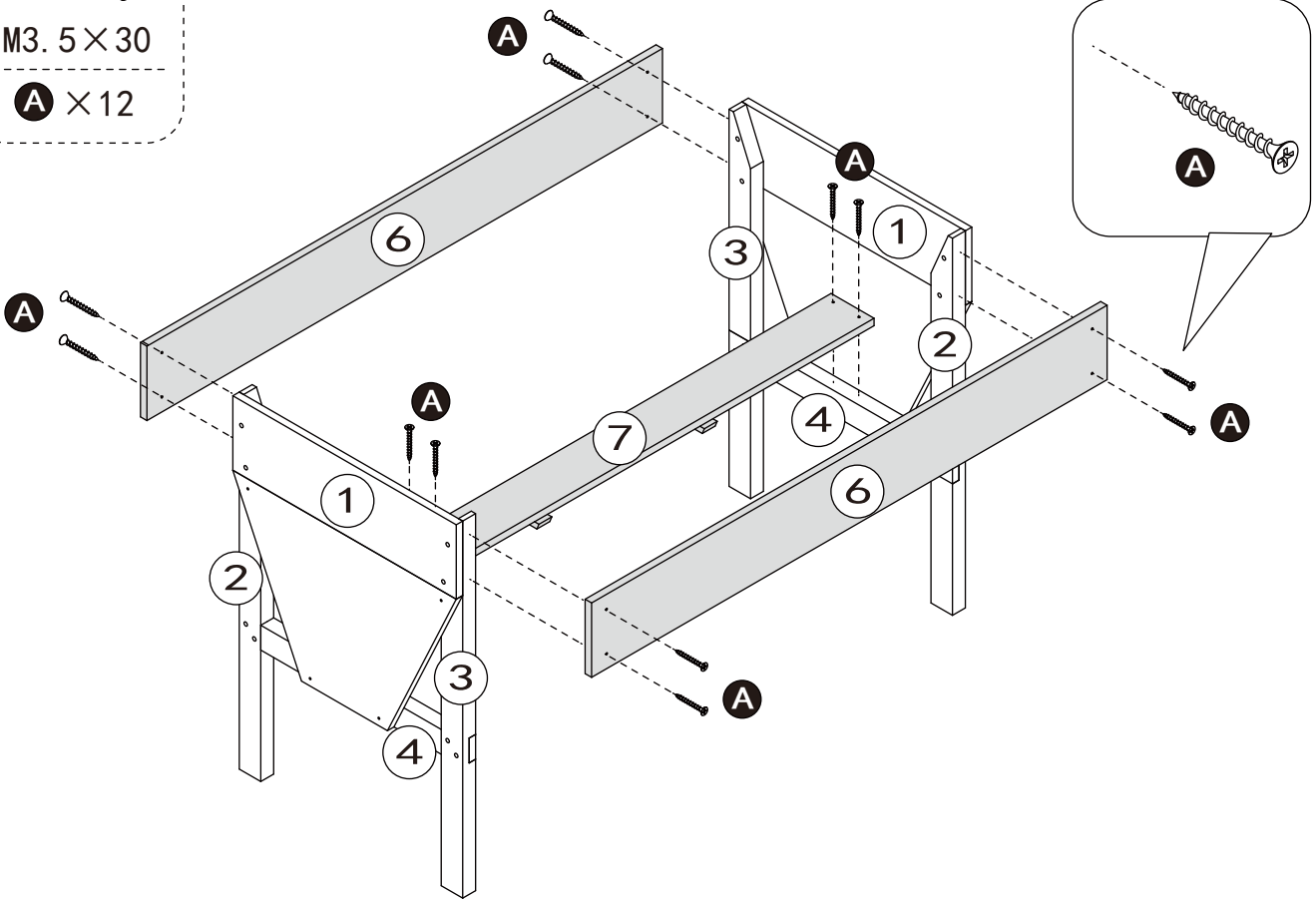


x2

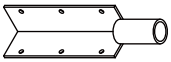


M3.5 × 30

A × 12



E × 2

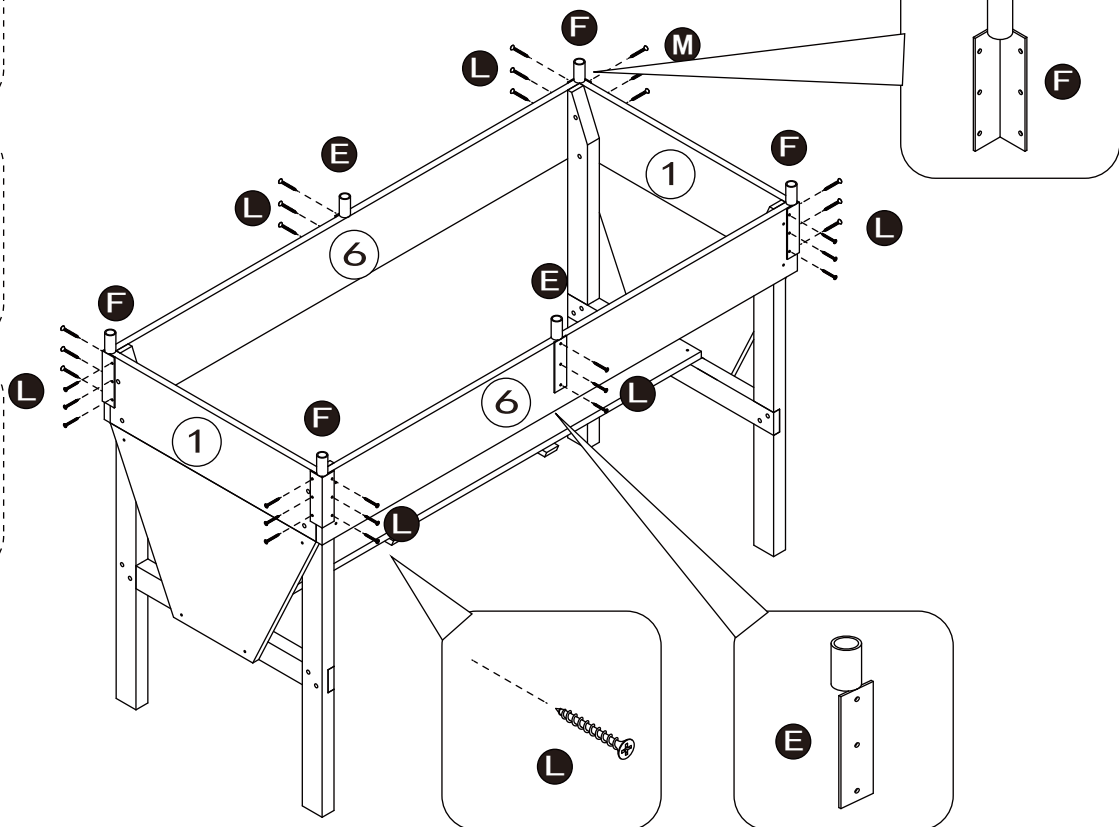


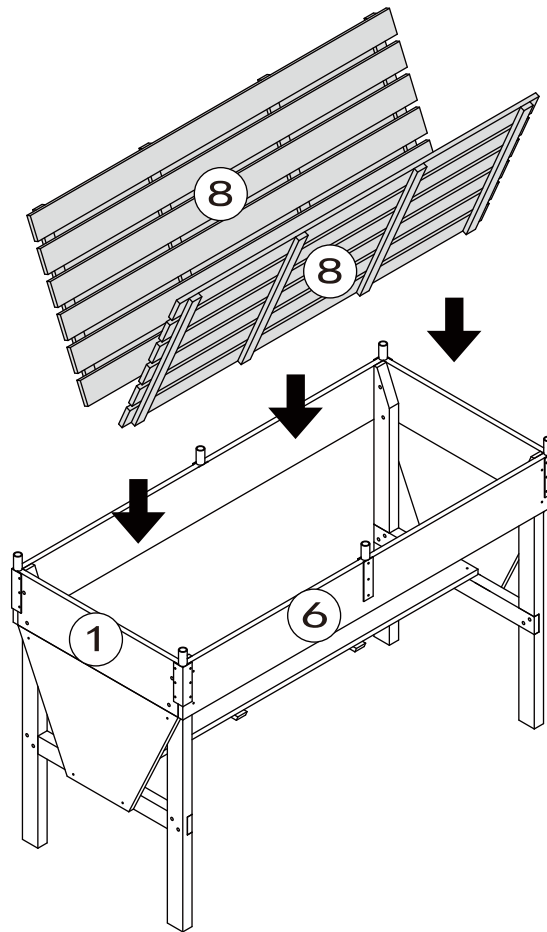
F × 4



M3 × 10

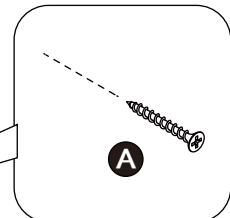
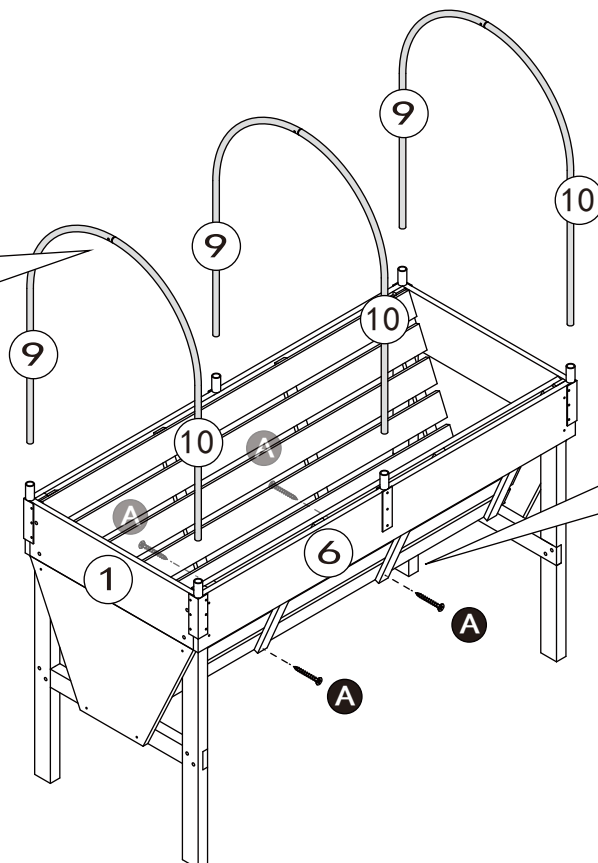
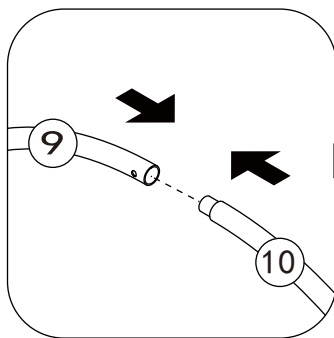
L × 30

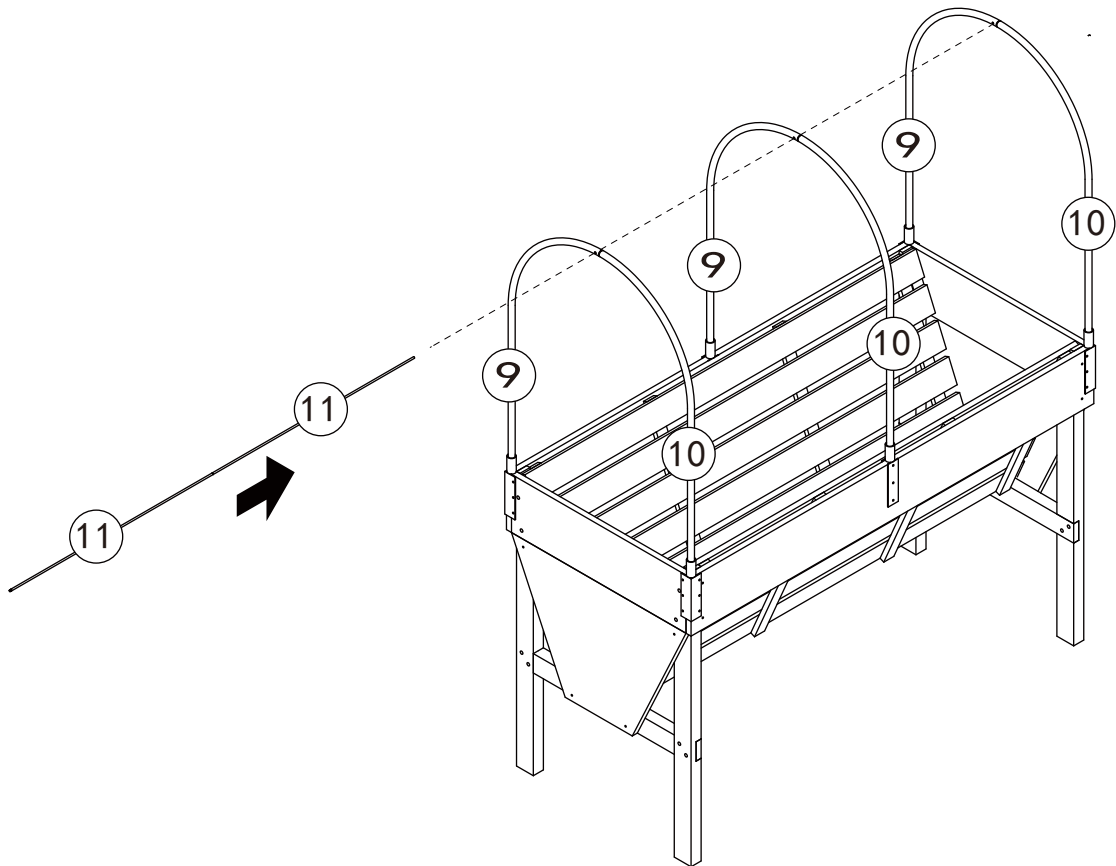
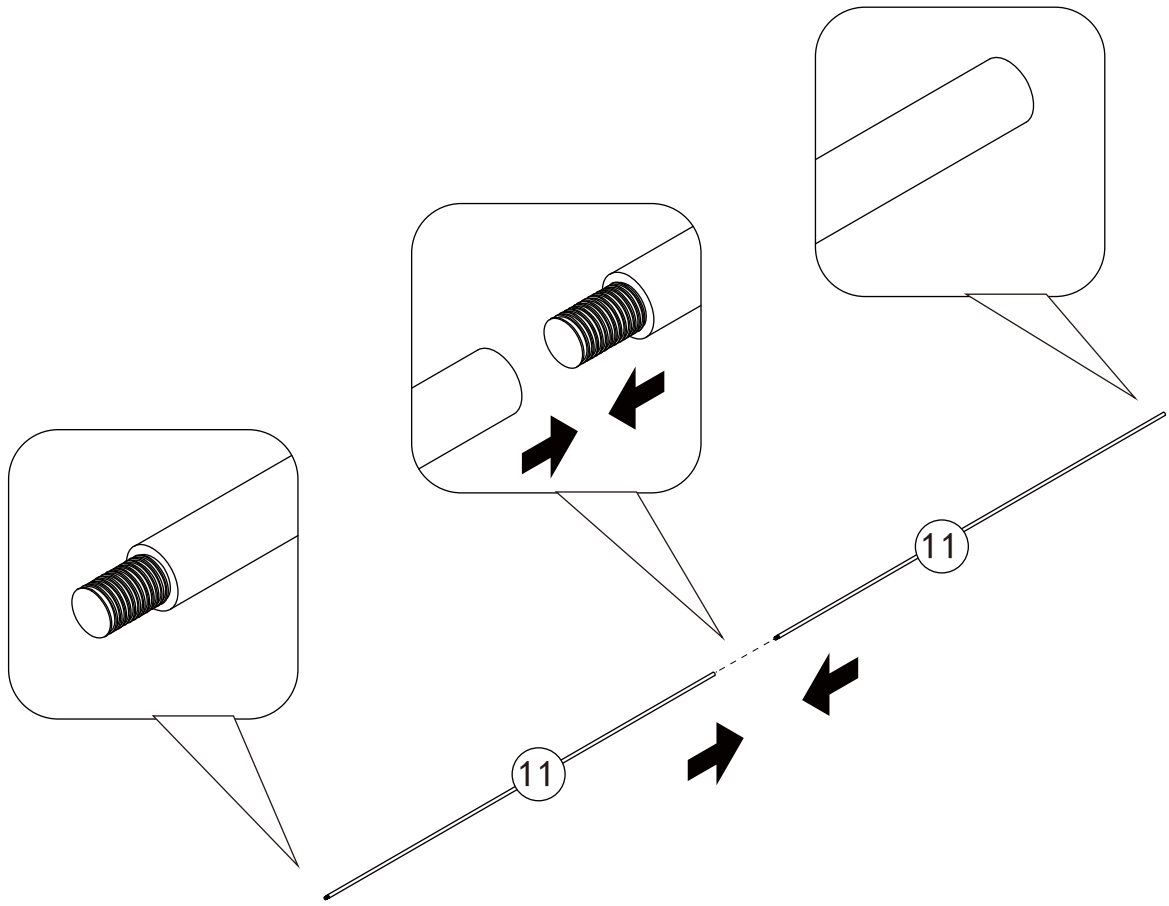




M3.5 × 30

(A) × 4





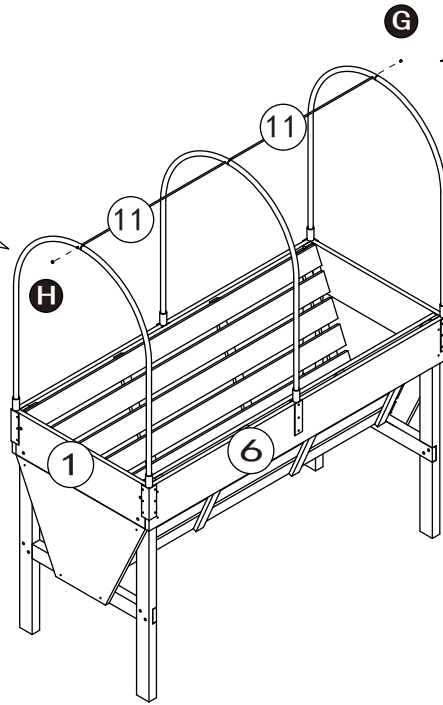
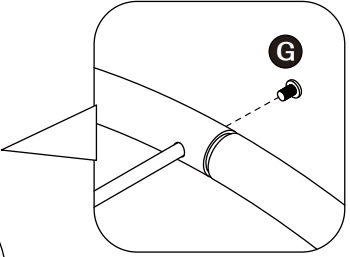
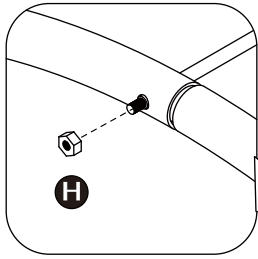


M3 × 10

G × 1



H × 1



M3 × 10

G × 6

